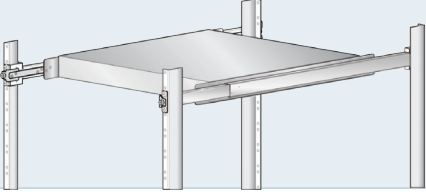









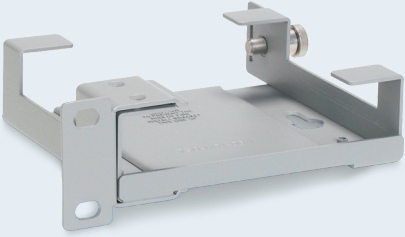

BRACKET

PRODUCT	ORDER NAME	SUPPORTED DEVICES
	AT-BRKT-J22	FS980M Series
	AT-BRKT-J23	x230-10GT, GS970M/10, GS910/5, GS910/8, GS910/8E
	AT-BRKT-J24	x230-10GP, x230-18GP, x230-28GP, x230-18GT, x230-28GT, GS970M/10PS, GS970M/18PS, GS970M/28PS, GS970M/18, GS970M/28, AR4050S, AR3050S, AR2050V
	AT-BRKT-J26	TQ2450(EoS in EMEA)
	AT-DMCWLMT	DMC100 series, DMC1000 series
	AT-MMCWLMT	MMC200 series, MMC2000 series, MMC6005
	AT-WLMT-010	MC100 series, MC1000 series, MC115XL, MC116XL, MC13, GS2002/SP, FS200 series

RACKMOUNT

PRODUCT	ORDER NAME	SUPPORTED DEVICES
	AT-RKMT-SL01	x930 series, x510DP-52GTX, IX5-28GPX, DC2552XS/L3, x900 series(EoS)
	AT-RKMT-J05	x230-10GT, GS970M/10
	AT-RKMT-J08	GS910/8, GS910/8E
	AT-RKMT-J13	x230-18GP, x230-18GT, GS970M/18PS, GS970M/18
	AT-RKMT-J14	x230-10GP, GS970M/10PS, AR4050S, AR3050S, AR2050V
	AT-RKMT-J15	XS900MX series, AR4050S, AR3050S
	AT-RKMT-APL1	UWC-60-APL

DIN RAIL / OTHER

PRODUCT	ORDER NAME	SUPPORTED DEVICES
	AT-DINRAIL1	MC100 series, MC1000 series, MC115XL, MC116XL, MC13, FS200 series, GS2002/SP, PC232/POE, PC2002/POE
	AT-DRMT-J02	AR2010V
	AT-TRAY1	MC100 series, MC1000 series, MC115XL, MC116XL, MC13, GS2002/SP, FS200 series
	AT-TRAY4	