



B-TECH AV MOUNTS™

CHOICE OF FOUR POLE LENGTHS

# BT8428

## BACK-TO-BACK UNIVERSAL FLAT SCREEN CEILING MOUNT WITH TILT

Designed to ceiling mount two screens in a back-to-back configuration, the BT8428 is available in a choice of four different drop lengths; 1m, 1.5m, 2m and 3m. The mount uses B-Tech's unique 'Torsion-Tilt' mechanism for easy tilt up to +/-15°. Levelling screws are included on the interface arms to finely adjust the screen height and locking screws help prevent unauthorised removal of the screen.

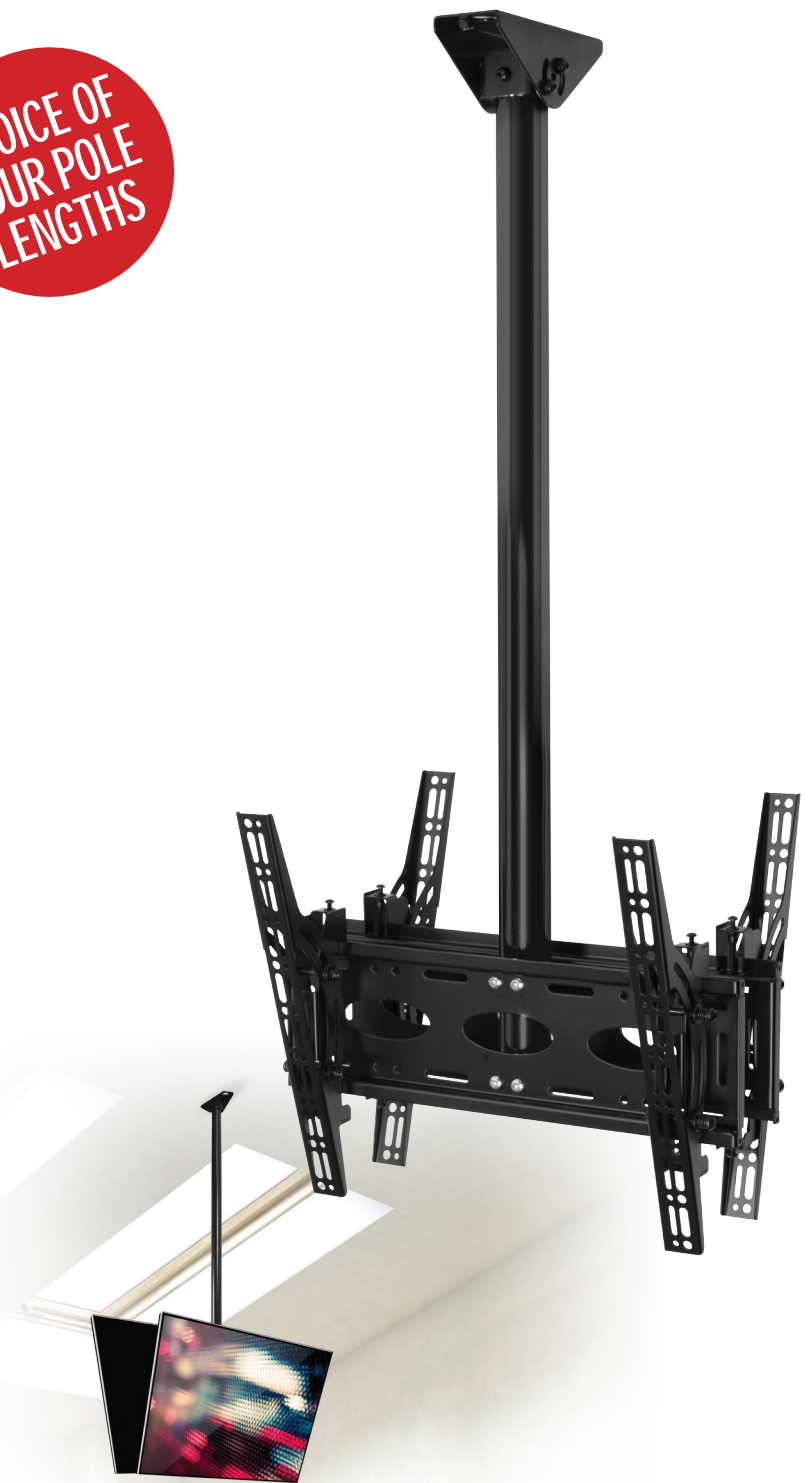
### SPECIFICATION

Recommended screen size	39" - 65"
Max load	50kg (per screen)
VESA® compatibility (as standard)	up to 400 x 400
VESA® compatibility (with included adaptors)	up to 600 x 400
Ceiling drop	960mm, 1460mm, 1960mm or 2960mm*
Tilt adjustment (at screen)	up to +/-15°
Tilt adjustment (at ceiling)	up to +90°
Colour (interface)	Black
Colour (poles)	Black or Chrome

\*From the ceiling to the the centre of the mount

### FEATURES

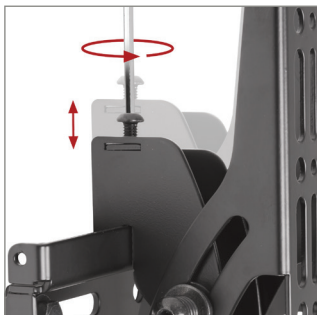
- Mounts two screens back-to-back
- Ceiling bracket can be tilted for mounting on angled ceilings
- Unique 'Torsion-Tilt' mechanism for easy tilt adjustment
- Post installation screen alignment for perfect screen positioning
- Arms feature levelling screws to adjust the screen height
- Suitable for landscape or portrait mounting
- Security screws help prevent unauthorised removal of screens
- Poles are supplied with safety bolt and grub screws for a secure installation
- Available in four pole lengths for more mounting flexibility
- Integrated cable management
- Simple 'hook-on' installation
- All mounting hardware included



PER SCREEN

INTERFACE

POLES



Levelling screws allow adjustment of the screen height once mounted



Security locking screws and Allen key provide a secure installation



Ceiling bracket can be tilted for mounting on angled ceilings



Maximum VESA rating can be increased to 600mm using the included adaptor arms

