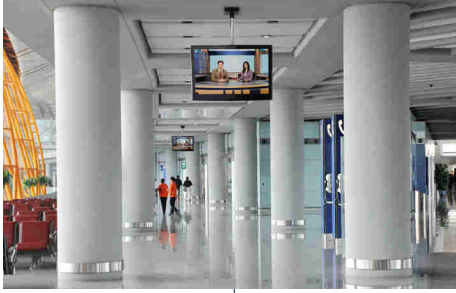


MOD-FPSKIT100-CPF
 MOD-FPSKIT150-CPF
 MOD-FPSKIT200-CPF



Display size

Up to 75"



Max load

132lb (60kg) per display
 264lb (120kg) total

Modular Series Ceiling Kit

FOR UP TO 75" DISPLAYS

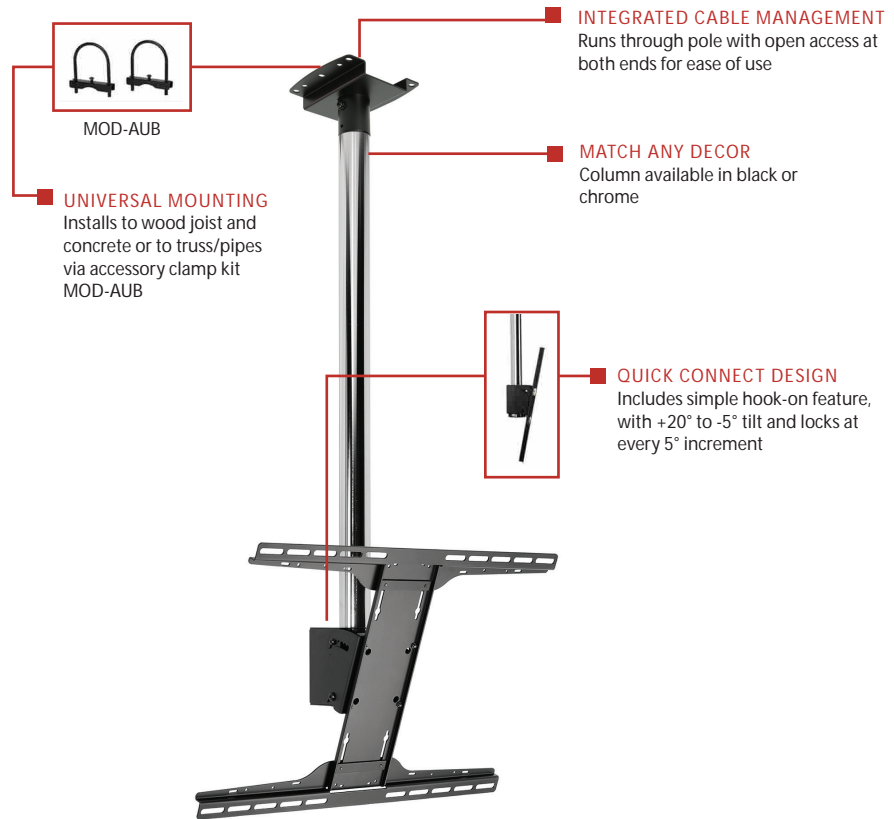
The Peerless-AV® Modular Mount Line includes a small and easily manageable number of components to fulfill a vast majority of end-user requirements. Designed around a 2" (50mm) diameter pole, the line is ideal for new projects as well as for upgrading existing installations. As part of the Peerless-AV Modular Series, the MOD-FPSKIT100/150-CPF includes all components required to ceiling mount your flat panel display. This kit can be expanded with additional Modular accessories to accommodate additional displays or allow you to create alternative configurations to achieve the perfect custom mounting solution.

The Modular Mount Line includes universal components making it easy to design perfect custom display or projector mounting solutions for any application.



Additional Features

- Kit includes:
 - Heavy duty ceiling plate
 - 39" (1m) or 59" (1.5m) chrome or black extension pole
 - Single display at panel mount
 - Large universal adaptor
- Mounts to concrete and wood joist ceilings
- Easy one person display installation with up to a 39" (1m) or 59" (1.5m) drop
- Universal display mounting for up to 75" displays with VESA® mounting patterns up to 600 x 400mm



Tilt bracket



Heavy Duty Ceiling plate accessory: MOD-CPF



info@peerless-av.com
 peerless-av.com

peerless-AV®

Model Number

WARRANTY: Limited 5-year

MOD-FPSKIT100-CPF	Modular Series Ceiling Kit for up to 75" Displays; 1m height
MOD-FPSKIT150-CPF	Modular Series Ceiling Kit for up to 75" Displays; 1.5m height
MOD-FPSKIT200-CPF	Modular Series Ceiling Kit for up to 75" Displays; 2m height

Product Specifications

	DIMENSIONS (W X H X D)	PRODUCT WEIGHT	LOAD CAPACITY	FINISH	AVAILABLE COLORS
MOD-FPSKIT100-CPF	619 x 1088 x 225mm	6.8kg (14.9lb)			
MOD-FPSKIT150-CPF	619 x 1672 x 225mm	7.9kg (17.5lb)	132lb (60kg) per display 264lb (112kg) total	Powder coat	Chrome
MOD-FPSKIT200-CPF	619 x 2191 x 175mm	9.3kg (20.4lb)			

Package Specifications

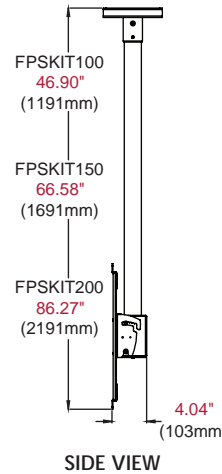
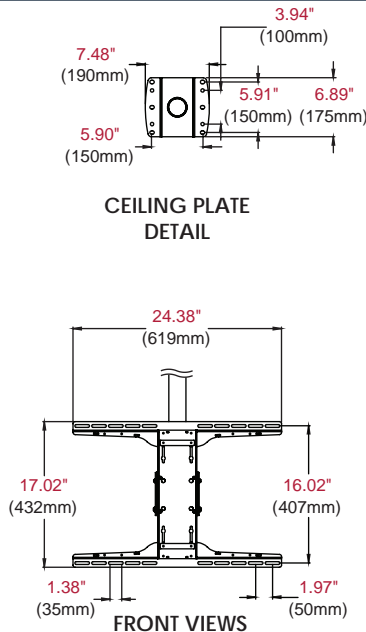
	PACKAGE SIZE (W x H x D)	PACKAGE SHIP WEIGHT	PACKAGE UPC CODE	PACKAGE CONTENTS	UNITS IN PACKAGE
MOD-FPSKIT100-CPF	1045 x 292 x 112mm	9.2kg (20.45lb)	MOD-FPSKIT100-CPF: 735029300793	- MOD-CPF Heavy duty ceiling plate	1
MOD-FPSKIT150-CPF	1588 x 305 x 127mm	10.4kg (22.95lb)	MOD-FPSKIT150-CPF: 735029300809	- MOD-P100 3' (1.0m) extension pole or MOD-P150 5' (1.5m) extension pole or MOD-P200 10' (3m) extension pole	
MOD-FPSKIT200-CPF	Box 1 of 2: 806 x 311 x 104mm Box 2 of 2: 2057 x 63.5mm	10.7kg (23.55lb)	MOD-FPSKIT200-CPF: 735029300816	- MOD-FPMS single screen mount - MOD-UNL large universal adaptor	

Accessories

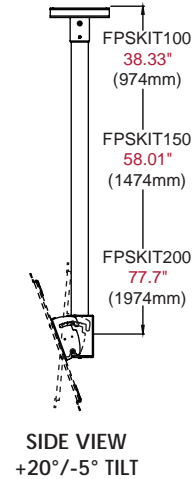
MOD-ACF(-W):	Accessory Cover for MOD-CPF Ceiling Plate
MOD-ADF:	Accessory Drill Fixture for 50mm Pole
MOD-APC:	Accessory Pole Coupler
MOD-ASC:	Accessory Screen-Stacking Clamp
MOD-ATD(-W):	Accessory Trim Disc
MOD-AUB:	Accessory U-Bolt Adaptor

MOD-CPC(-W):	Ceiling Plate, Cathedral
MOD-CPF:	Square Ceiling Plate, Flat (7.4" x 6.8")
MOD-CPI:	I-Beam Ceiling Plate, Flat
MOD-FPMD:	Flat Panel Mount, Dual Back-To-Back
MOD-FPMS(-W):	Flat Panel Mount, Single
MOD-P100(-B):	50mm Extension Pole - 39" (1.0m)

MOD-P150(-B):	50mm Extension Pole - 59" (1.5m)
MOD-P200(-B):	50mm Extension Pole - 78" (2.0m)
MOD-P300(-B):	50mm Extension Pole - 118" (3.0m)
MOD-UNL:	Universal Screen Adaptor, Large
MOD-UNM:	Universal Screen Adaptor, Medium



All dimensions = inch (mm)



Architect Specifications

The Modular Series Ceiling Kit shall be a Peerless-AV model MOD-FPSKIT100/150/200 and shall be located where indicated on the plans. Assembly and installation shall be done according to instructions provided by the manufacturer.

Visit peerless-av.com to see the complete line of AV solutions from Peerless-AV, including outdoor displays, wireless, kiosks, digital audio, display mounts, projector mounts, carts/stands, and a full assortment of accessories.

Peerless-AV
2300 White Oak Circle
Aurora, IL 60502 USA

(800) 865-2112
(630) 375-5100
Fax: (800) 359-6500

Peerless-AV Europe
Unit 3 Watford Interchange
Colonial Way, Watford
Herts, WD24 4WP
United Kingdom
+44 (0) 1923 200100
Fax: +44 (0) 1923 200101

Peerless-AV de México
Ave de las Industrias 413
Parque Industrial Escobedo
Escobedo, N.L.,
Mexico 66050
+52 (81) 8384-8300
Fax: +52 (81) 8384-8360



LIT-1425-UK