

TRA



Display size
" - "



Max load
lb (kg)

tru•vue™

Full-Motion Tilting Wall Mount

FOR " TO " DISPLAYS

The TruVue™ series wall mounts combine ease of installation with viewing flexibility. With TRA , extend the TV up to . " (mm) or fully-retract it to just . " (mm) from the wall for the optimum viewing angle. The Hook-and-Hang™ system offers easy, one-person installation of the TV. A ratcheting handle provides locking tilt capability for quick adjustments to the amount of tilt, reducing glare and optimizing the viewing angle. With the cable management feature, cables can be routed and secured for a clean and clutter-free look.

Full-motion capabilities allow you to swivel, tilt, extend or retract your TV for the perfect viewing angle.



Additional Features

- Positions TV only . " (mm) from the wall or extends up to . " (mm)
- Includes necessary wall and TV attachment hardware
- Accommodates VESA® x x , x x , x x , x x and x x mm mounting hole patterns
- Design is UL listed and tested to four times the stated load capacity
- Cable management provides a point to secure and route cables for safety and a clean look
- TV can be rotated left and right after installation for guaranteed leveling



TRA	TruVue™ Full-Motion Tilting Wall Mount for " to " Displays
-----	--

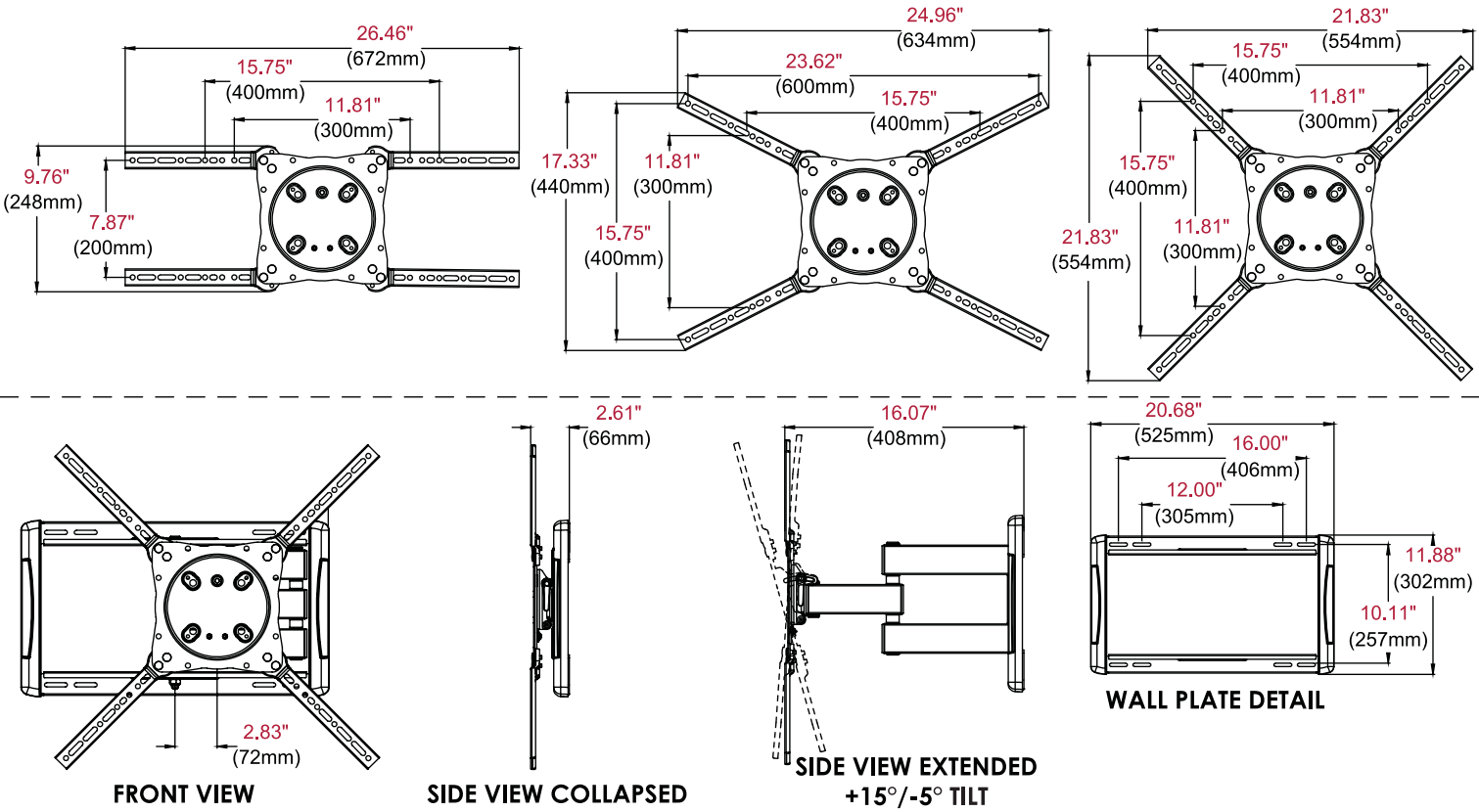
Product Specifications

	DIMENSIONS W x H x D	PRODUCT WEIGHT	LOAD CAPACITY	FINISH	AVAILABLE COLORS
TRA	15.75" x 26.46" x 9.76" (400 x 672 x 248 mm)	17.33 lb (7.86 kg)	15.75 lb (7.14 kg)	Scratch resistant fused epoxy	Matte black

Package Specifications

	PACKAGE SIZE W x H x D	PACKAGE SHIP WEIGHT	PACKAGE UPC CODE	PACKAGE CONTENTS	UNITS IN PACKAGE
TRA	15.75" x 26.46" x 9.76" (400 x 672 x 248 mm)	17.33 lb (7.86 kg)		Wall mount, wall and TV installation hardware, level	

All dimensions in inch (mm)



Architect Specifications

The TruVue™ Full-Motion Tilting Wall Mount shall be a Peerless-AV model TRA and shall be located where indicated on the plans. Assembly and installation shall be done according to instructions provided by the manufacturer.

Visit peerless-av.com to see the complete line of AV solutions from Peerless-AV, including outdoor displays, wireless, kiosks, digital audio, display mounts, projector mounts, carts/stands, and a full assortment of accessories.

Peerless-AV
 White Oak Circle
 Aurora, IL USA
 () -
 () -
 Fax: () -

Peerless-AV Europe
 Unit Watford Interchange
 Colonial Way, Watford
 Herts, WD WP
 United Kingdom
 () -
 () -
 Fax: () -

Peerless-AV de México
 Ave de las Industrias
 Parque Industrial Escobedo
 Escobedo, N.L.,
 Mexico
 () -
 () -
 Fax: () -

