



B-TECH AV MOUNTS™

WITH MICRO-ADJUSTMENT

BT899 UNIVERSAL HEAVY DUTY PROJECTOR CEILING MOUNT



The BT899 is a universal projector ceiling mount which can be used to mount projectors up to 25kg. Compatible with B-Tech's System 2 professional range, this mount can either be mounted flush to the ceiling or onto Ø50mm poles. Supplied pre-assembled for a simple three step installation, the BT899 is designed with easy adjustment of tilt, roll and swivel with optional micro-adjustment for short throw projectors making this mount the ideal solution for installing heavy duty projectors.

SPECIFICATION

Max load	25kg
Tilt adjustment	+ / -13°
Roll adjustment	+ / -6°
Swivel	360°
Max distance between fixings	370mm
Colour	Black

FEATURES

- Compatible with the B-Tech System 2 Professional Range and 1.5" NPT pipe systems
- Mounts projector 121.5mm from ceiling when mounted flush
- Optional micro-adjustment for short throw projectors
- Integrated cable management for smart installation
- Security locking screws and Allen key provided for a secure installation
- Suitable for projectors using M2.5, M3, M4, M5 and M6 fixings
- All mounting hardware included



Unique 'carousel' mounting plate for universal compatibility



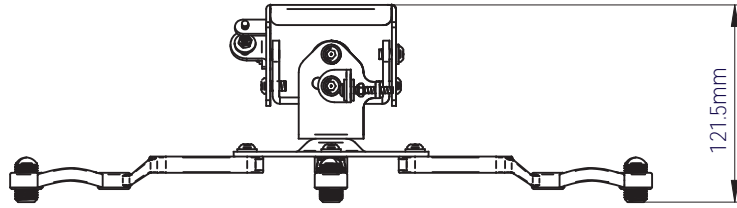
Features easy tilt, roll and swivel functions



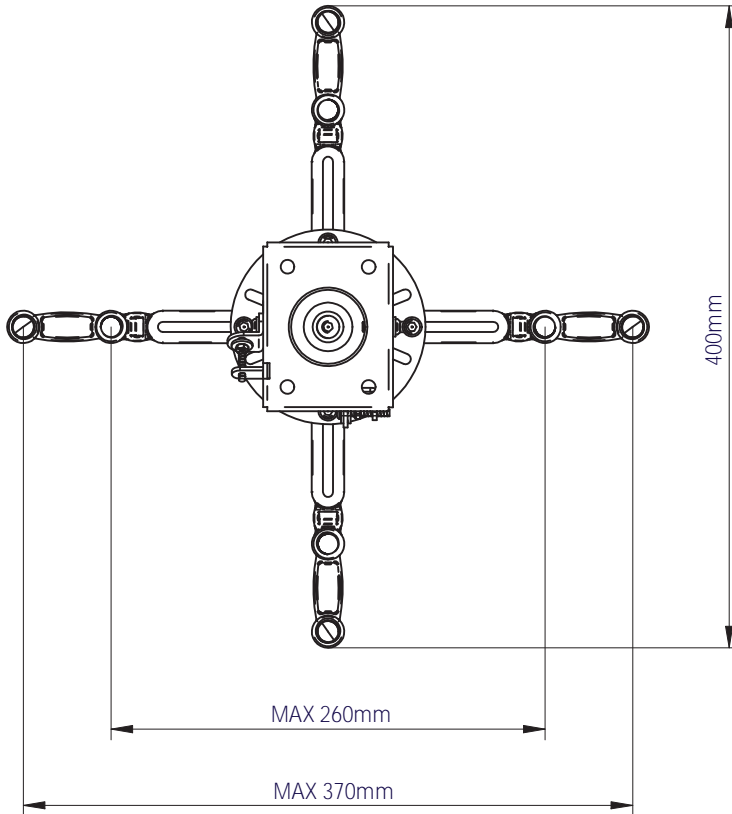
Compatible with B-Tech System 2 poles and ceiling mounts



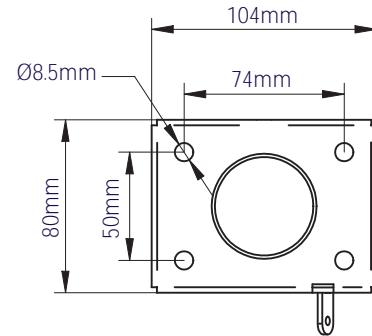
Optional micro-adjustment feature for short throw projectors



SIDE VIEW



TOP VIEW



CEILING PLATE

PACKING INFORMATION

COLOUR:	ORDER REF:	EAN CODE:	MASTER CARTON QTY:	INNER CARTON QTY:	MASTER CARTON WEIGHT:	MASTER CARTON CUBE:
Black	BT899/B	5019318088902	8	0	11.7kg	0.022cbm

ACCESSORIES AND RELATED PRODUCTS OF THE BT899



BT7850
Ø50mm Poles available in different lengths up to 3m



BT7822
Ceiling Mount securely fixes Ø50mm poles to the ceiling



BT7808
Ceiling Mount with Tilt ideal for mounting Ø50mm poles to angled ceilings



BT899-XL
Extra Large Heavy Duty Projector Mount
Maximum distance between fixings 493mm

© 2016 B-Tech Mounts. Design and manufacture by B-Tech Mounts. All rights reserved.
 No information in this specification is to be construed as a warranty, expressed or implied, or as a representation of the quality of the goods.
 B-Tech Mounts is not liable for any damage or loss of any kind, including but not limited to, direct, indirect, consequential or special damages, arising from the use of the goods.
 SS-BT899-V1.1-141116 European Trademark Number: 001713306-0004