

PRGS-UNV(-S)(-W)



Max Load
50lb (22kg)

PRGS Projector Mount

FOR PROJECTORS UP TO 50LB (22KG)

The PRGS Projector Mount simplifies the way image alignment is done. The precision gear design allows exact pitch and roll image positioning by either simply turning two adjustment knobs with a Phillips screw driver, or using the tool-less option by extending the knobs to adjust by hand. Just set the precision gear to the desired position to secure it in place. It will hold its position even during projector maintenance. With Peerless-AV® PRGS Projector Mount, just set it and forget it. No more adjustment screws. No more micro adjustments. No more hassles.

- Two adjustment knobs to control tilt and roll image alignment and accurately hold image position, virtually eliminating any sag or drift
- Pre-installed security screws provide tilt and roll locking ability to prevent tampering and adjustments
- Low profile design allows projector to be flush with the ceiling
- Open frame assembly provides easy cable routing through the projector mount itself
- Quick release mechanism to easily service projector
- Specifications:
 - Pitch: +15°/-20°
 - Roll: ±5°
 - Swivel: 360° (during installation)

PIN-POINT IMAGE ALIGNMENT

Achieve pin-point image alignment by simply turning the adjustment knobs by hand or with a Phillips screwdriver

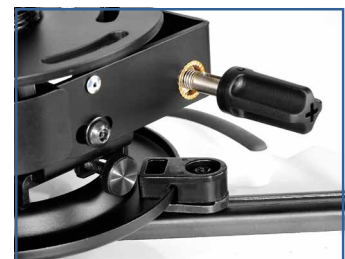
EFFORTLESS PROJECTOR MAINTENANCE

Quick-release thumbscrew enables easy-glide removal of the projector in and out of the mount



UNIVERSAL COMPATIBILITY

Spider® Universal Adaptor Plate extends up to 17.63" (448 mm) to fit most projector models



Pin-Point Image Alignment



PRGS-UNV(-S)(-W): PRGS Projector Mount for Projectors up to 50lb (22kg)

Product Specifications

	DIMENSIONS (W x H x D)	PRODUCT WEIGHT	LOAD CAPACITY	FINISH	AVAILABLE COLORS
PRGS-UNV(-S)(-W)	8.50" -17.63" x 3.63"-4.63" x 8.50"-17.63" (216-448 x 92-118 x 216-448mm)	4.27lb (1.9kg)	50lb (22kg)	Powder Coat	PRGS-UNV: Black PRGS-UNV-S: Silver PRGS-UNV-W: White

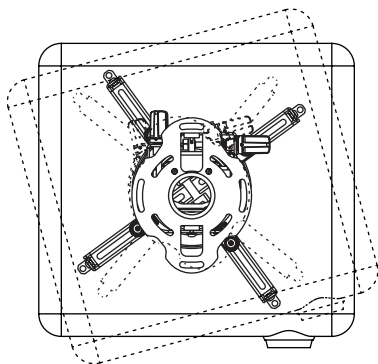
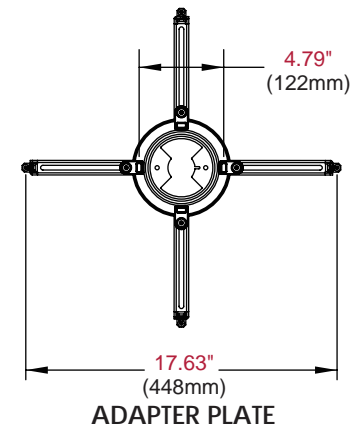
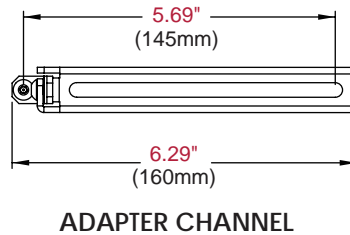
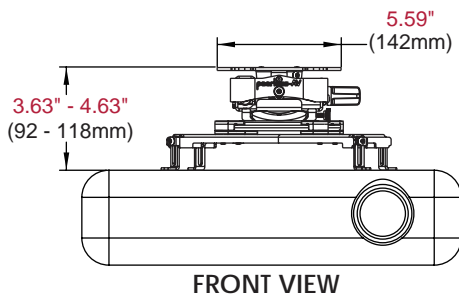
Package Specifications

	PACKAGE SIZE (W x H x D)	PACKAGE SHIP WEIGHT	PACKAGE UPC CODE	PACKAGE CONTENTS	UNITS IN PACKAGE
PRGS-UNV(-S)(-W)	14.25" x 6.75" x 3.00" (362 x 171 x 76mm)	4.9lb (2kg)	PRGS-UNV: 735029281795 PRGS-UNV-S: 735029281863 PRGS-UNV-W: 735029281870	Projector Mount, Spider® Universal Adaptor Plate, Mounting and Projector Attachment Hardware & Assembly Instructions	1

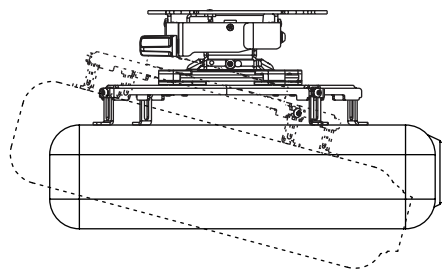
Accessories

- ACC & CMJ MODELS: Ceiling Plates
- AEC & EXT MODELS: Extension Columns
- PWA-14(W): Projector Wall Arm

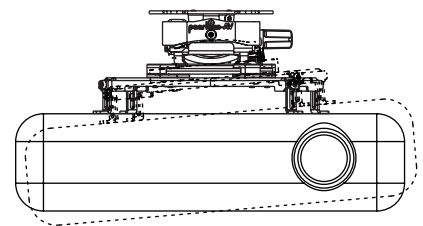
All dimensions = inch (mm)



SWIVEL (YAW) 360° (when attached to extension column)
+/- 15° (when flush mounted)



+15/- 20° PITCH



+/- 5° ROLL

Architect Specifications

The PRGS Projector Mount shall be a Peerless-AV model PRGS-UNV(-S)(-W) and shall be located where indicated on the plans. Assembly and installation shall be done according to instructions provided by the manufacturer.

Visit peerless-av.com to see the complete line of AV solutions from Peerless-AV, including outdoor displays, wireless, kiosks, digital audio, display mounts, projector mounts, carts/stands, and a full assortment of accessories.

Peerless-AV
2300 White Oak Circle
Aurora, IL 60502 USA

(800) 865-2112
(630) 375-5100
Fax: (800) 359-6500

Peerless-AV EMEA
Unit 3 Watford Interchange
Colonial Way, Watford
Herts, WD24 4WP
United Kingdom
+44 (0) 1923 200100
Fax: +44 (0) 1923 200101

Peerless-AV Latin America
Ave de las Industrias 413
Parque Industrial Escobedo
Escobedo, N.L.,
Mexico 66062
+52 (81) 8384-8300
Fax: +52 (81) 8384-8360

