

PLA50-UNL
PLA50-UNLP(-GB)
PLA50

PLA Series Articulating Wall Arm

For 37" to 80" Displays

Offer the best view in the room with ability to swing, tilt or articulate the most popular sizes of displays. Self-lubricating bushings enable the arms to smoothly extend, while adjustable tilt and pivot position the display to the optimal viewing angle. The PLA50 offers versatility for the most popular sizes of display in a wide range of installations in lobbies, hotel rooms, boardrooms, public displays or home theaters.



Display size: 37"-80"



Max load: 150lb (68kg)

FEATURES

- Arm extends up to 30.52" (775mm) from wall
- Three adjustable pivot points with up to 180° swivel for versatile display positioning
- +10/-5° of tilt
- ±7° of roll for post installation display leveling
- Universal models adapt to displays with mounting hole patterns up to 730 x 433mm (28.75"W x 17.05"H)
- Includes mesh cord sheath and cable ties to neatly manage cables
- Five horizontal arm positions at 2.6" (66mm) centers for flexible lateral display placement



■ **PIVOTS**
Versatile display positioning

■ **ROLL**
Post-Installation leveling

PLA50-UNLP-GB shown

■ **UNIVERSAL**
Easily adapts to a wide array of mounting patterns



Includes mesh cord sheath and cable ties to neatly manage cables



Patented. Utility Patent No. 8,517,322; 8,348,212; 7,722,002; 7,513,469.

CLICK: peerless-av.com

CALL: 800.865.2112

FAX: 800.359.6500

peerless-AV®

Model Numbers

WARRANTY: Limited 5-year

PLA50-UNL	Universal Articulating Wall Arm for 37" to 80" Displays (security models)
PLA50-UNLP(-GB)	Universal Articulating Wall Arm for 37" to 80" Displays (standard models)
PLA50	Dedicated* Articulating Wall Arm for 37" to 80" Displays (security models)

Product Specifications

*Requires display-specific adaptor to be purchased separately.

	DIMENSIONS (W x H x D)	PRODUCT WEIGHT	LOAD CAPACITY	FINISH	AVAILABLE COLORS
PLA50-UNL/-UNLP(-GB)	30.75" x 19.10" x 5.37"-30.52" (781 x 486 x 136-775mm)	36.8lb (16.7kg)	150lb (68kg)	Scratch resistant fused epoxy	PLA50-UNL: Black PLA50-UNLP: Black PLA50-UNLP-GB: Gloss black PLA50: Black
PLA50	19.75" x 18.70" x 4.50"-29.30" (501 x 474 x 114-744mm)	24.3lb (11kg)			

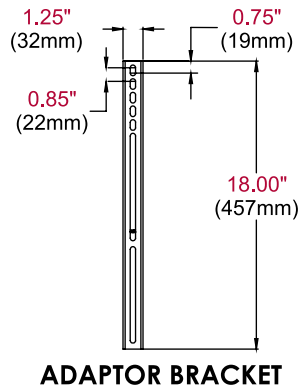
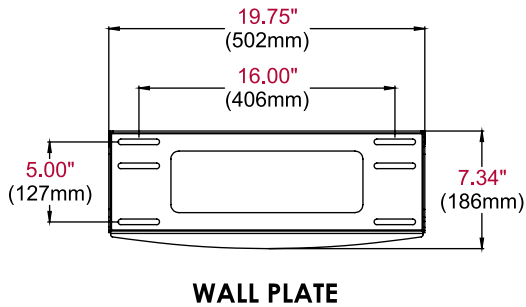
Package Specifications

	PACKAGE SIZE (W x H x D)	PACKAGE SHIP WEIGHT	PACKAGE UPC CODE	PACKAGE CONTENTS	UNITS IN PACKAGE
PLA50-UNL/-UNLP(-GB)	31.5" x 17.1" x 9.1" (800 x 434 x 231mm)	43lb (19.5kg)	PLA50-UNL: 735029243236 PLA50-UNLP: 735029243250 PLA50-UNLP-GB: 735029247074 PLA50: 735029243229	PLA50-UNL/-UNLP(-GB): Articulating arm, wall plate, mesh cord sheath, cable ties, universal adaptor plate, mounting and display attachment hardware	1
PLA50	23.1" x 17.1" x 7.4" (587 x 434 x 188mm)	28.5lb (12.9kg)	PLA50: Articulating arm, wall plate, mesh cord sheath, cable ties and mounting hardware		

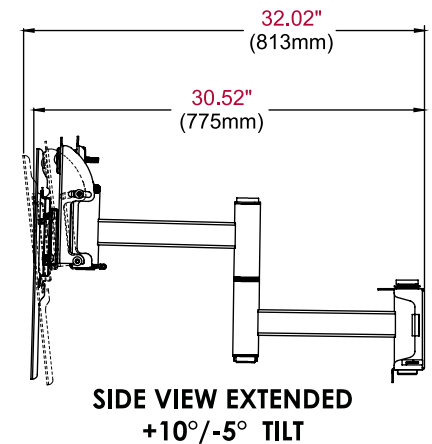
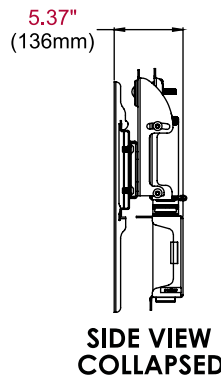
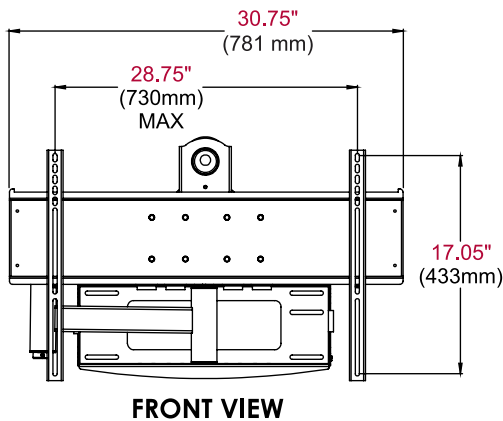
Accessories

- WSP716:** Metal Stud Wall Plate (Triple stud on 16" centers)
- WSP724:** Metal Stud Wall Plate (Triple stud on 16"-24" centers)

All dimensions = inch (mm)



PLA50-UNL/-UNLP(-GB)



ARCHITECTS SPECIFICATIONS

The Articulating Wall Arm shall be Peerless-AV PLA50/PLA50-UNL/PLA50-UNLP(-GB) models and shall be located where indicated on the plans. It shall be constructed of heavy gauge cold rolled steel with 10° adjustable forward and 5° backward tilt. It shall feature +/-7 degrees of roll. The finish shall be scratch resistant Black or Gloss Black Fused Epoxy. Assembly and installation shall be done according to instructions provided by the manufacturer.

Peerless Industries, Inc. ■ 2300 White Oak Circle ■ Aurora, IL 60502 ■ (800) 865-2112 ■ (630) 375-5100 ■ Fax: (800) 359-6500 ■ peerless-av.com

Visit peerless-av.com to see the complete line of AV solutions from Peerless-AV, including at panel mounts, projector mounts, carts/stands, furniture, cables, display cleaners and a full assortment of accessories.