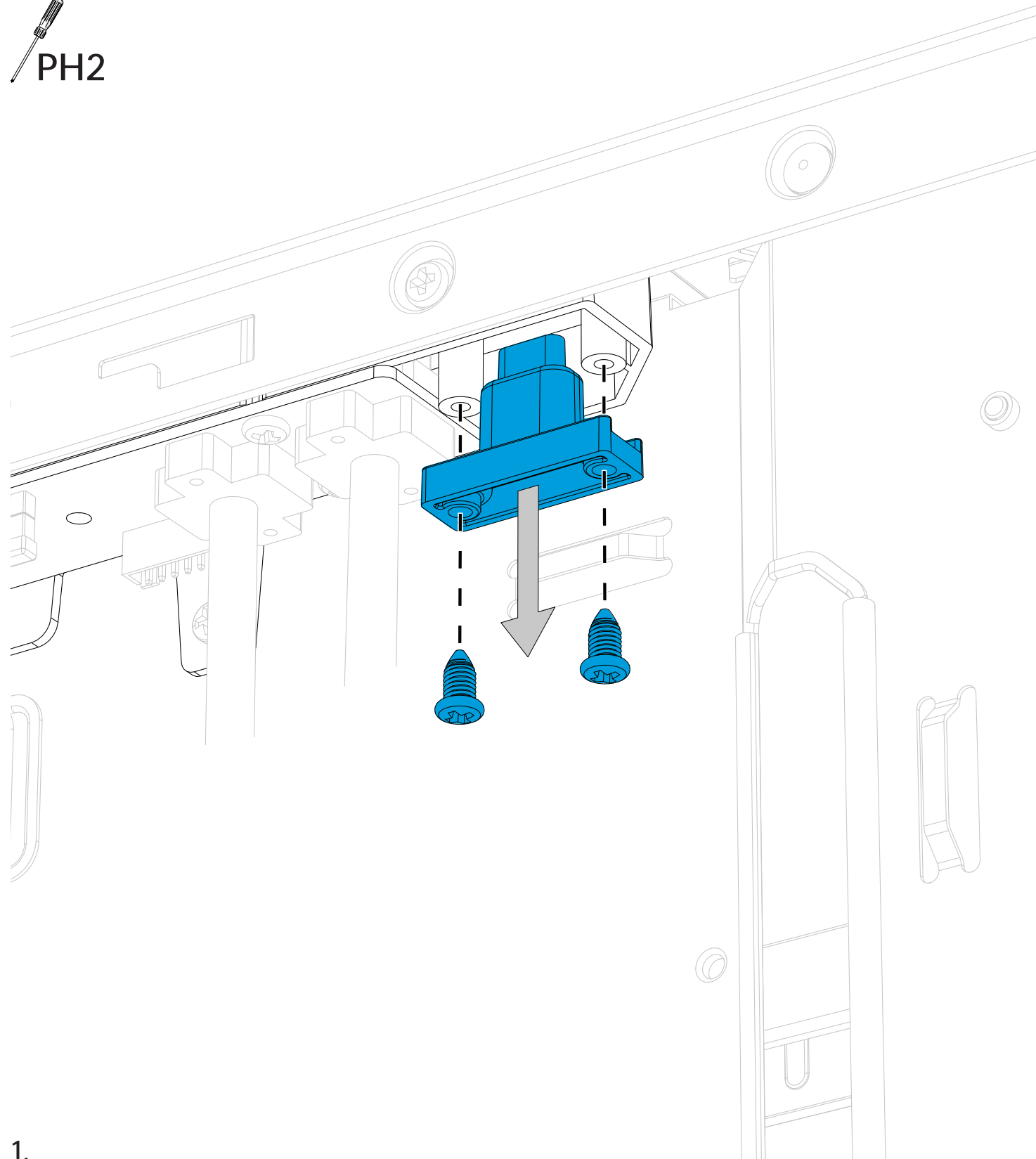


USB-C 10Gbps Cable – Model D Installation guide

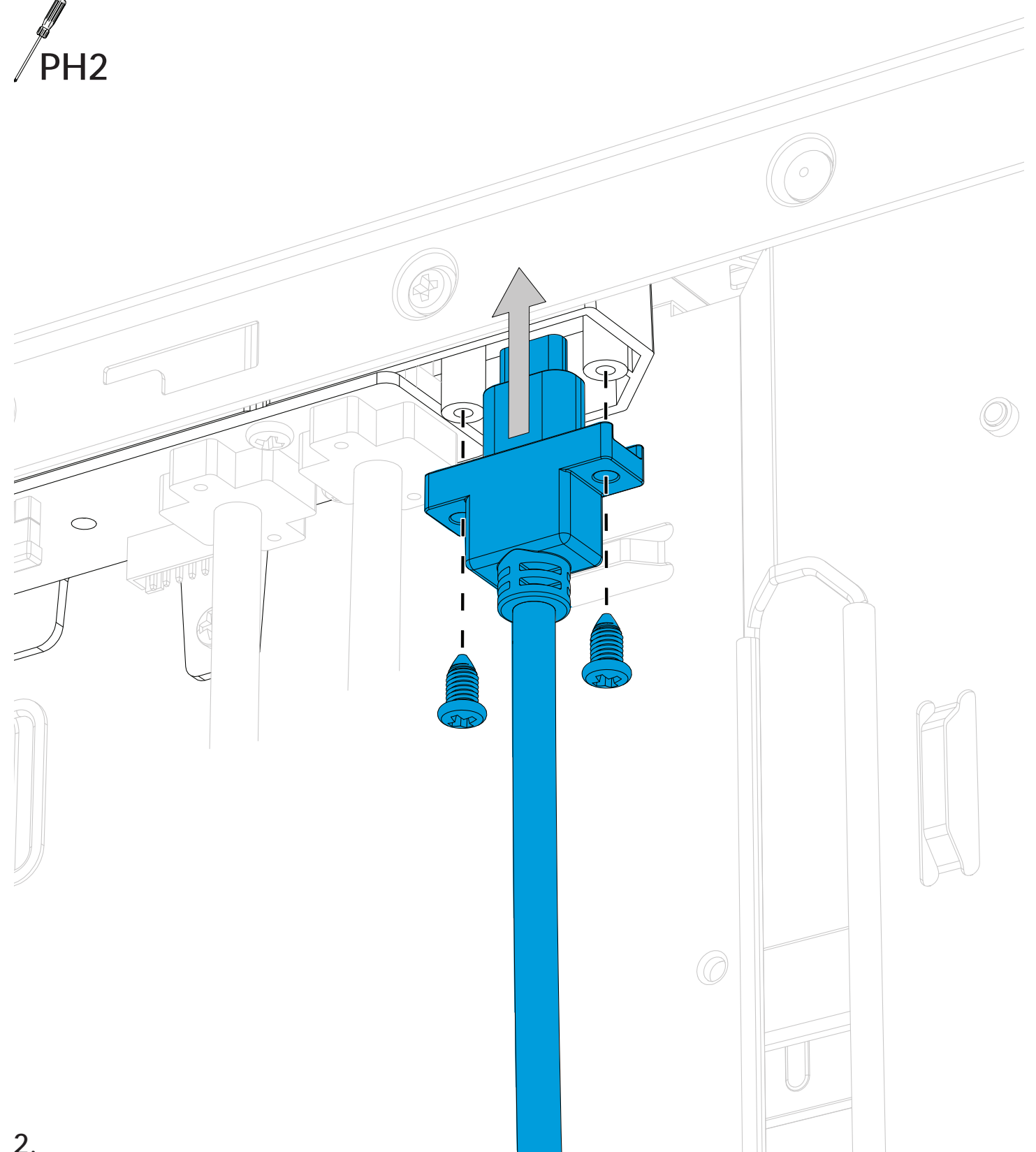


Remove the USB Type-C cover



1.

Install the USB-C 10Gbps Cable – Model D Add-on



2.