



5 in 1 Pro Multiport Hub

Model #: LQ48014

Product Manual

Package Contents
USB-C Pro Multiport Hub x1,
User Manual x1

www.LINQbyELEMENTS.dk

Thank you for purchasing our
5 in 1 **Pro Multiport Hub**.

Please read this user manual
carefully and keep it in a safe place
for future reference. If you need
any assistance, please contact our
support team with your product
model number and order number of
relevant sales channel.

Product Specifications



HDMI 4K @ 60Hz

Up to 4k UHD (3840 x 2160@
60Hz), supports 1440p / 1080p
/ 720p / 480p / 360p



USB-A Super Speed+

Super Speed USB-A 3.2 Gen 2,
Max data transfer speed 10Gbps
Power Supply up to 4.5W Max.



USB-C Super Speed+

Super Speed USB-C 3.2 Gen 2,
Max data transfer speed 10Gbps
Power Supply up to 4.5W Max
(Only for Data Transfer)



USB-C PD Port

Charging up to 100W of Power
Delivery 3.0 (Only for laptop
charging)



USB-C Connector

Compatible with Thunderbolt 3,
Make sure that the host USB-C
port on your device complies
with the USB3.0/3.1/3.2
Specification

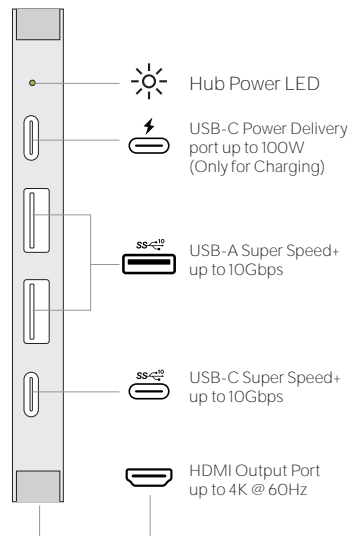
System Requirements:

Laptop with an available USB-C
Port Windows 7/8/10, MacOSX
v10.0 or above operating systems,
USB 3.0/3.1/3.2

Plug and play:

Yes

Overview



Notes

1. Only one hub is included, power adapters, SD/TF memory cards, cables or other accessories are not included.
2. The up to 100W charging speed can only be achieved when used with a 100W rated USB-C PD cable in combination of 100W type-C PD Power Adapter.
3. The USB Super Speed Ports of this product supports Max. 5V 900mAh total charging output.
4. For more stable connection when using high-power devices, connect a PD Power Adaptor to the USB-C PD port.
5. The USB-C PD port of this product is only for charging USB-C laptops whose USB-C Port supports USB Power Delivery (PD). The USB-C PD Port of this product does not support data transfer.
6. The USB-C Super Speed port of this product is only for data transfer. The USB-C Super Speed port of this product does not support charging.
7. A 4K capable display and a 4K capable HDMI cable are required to achieve 3840 x 2160 resolution.
8. HDMI 1.4 cables only support 30Hz, HDMI 2.0 cables support 4K up to 60Hz.

9. 4K 60Hz Compatibility requires a DP 1.4 compatible type-C port on your device.

How to Use

Plug the USB-C connector of the Hub into the USB-C port on your USB-C laptop.

1. USB-C Power Delivery: Charge your laptop by plugging the USB-C Charger to the Multiport Hub USB-C Female Power Delivery (PD) port.
2. HDMI Output: Connect to your UHDTV or projector with an HDMI 2.0 cable via the HDMI output port and watch videos from your USB-C laptop on your TV or other HDMI-enabled devices.
3. USB-C Super Speed: Connect your smart phone, tablet, hard drive or other USB-C peripherals via the USB-C 3.2 Port and transfer data between your computer and connected device.
4. USB-A Super Speed: Connect your smart phone, tablet, mouse, keyboard, hard drive or other USB peripherals via the USB-A 3.2 ports and transfer data between your computer and connected device.

Troubleshooting

if you experience any issues or have any question regarding the hub, please visit the support and FAQ page on our website for most up to date information.

LINQ | Support
<https://linqbyelements.dk/support.html>

Compatibilities

Details regarding compatibility of devices can be found on our website or consult your devices manual.

visit:
www.LINQbyELEMENTS.dk