

## Quick Installation Guide

# Elo Expansion Module

Compatible with following products:

E021201 (15" I-Series Android)

E021388 (22" I-Series Android)

### Elo Touch Solutions Technical Support

Online self-help: [www.elotouch.com/go/websupport](http://www.elotouch.com/go/websupport)

### Technical Support contacts in your region:

[www.elotouch.com/go/contactsupport](http://www.elotouch.com/go/contactsupport)

#### North America

Elo Touch Solutions  
1033 McCarthy Boulevard  
Milpitas, CA 95035

800-ELO-TOUCH

Tel +1 408 597 8000

Fax +1 408 597 8050

[customerservice@elotouch.com](mailto:customerservice@elotouch.com)

#### Europe

Tel +32 (0)16 70 45 00  
Fax +32 (0)16 70 45 49  
[elosales@elotouch.com](mailto:elosales@elotouch.com)

#### Asia-Pacific

Tel +86 (21) 3329 1385

Fax +86 (21) 3329 1400

[www.elotouch.com.cn](http://www.elotouch.com.cn)

#### Latin America

Tel 786-923-0251  
Fax 305-931-0124  
[www.elotouch.com](http://www.elotouch.com)

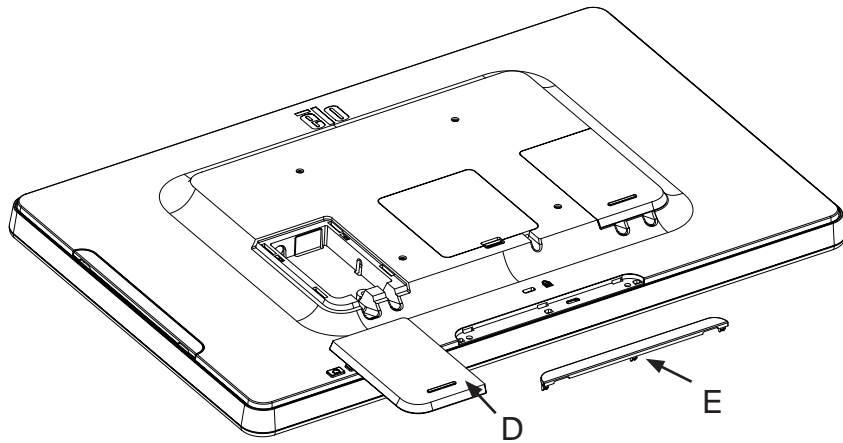
\*E231725 REV.A\*

Revision A  
P/N E231725

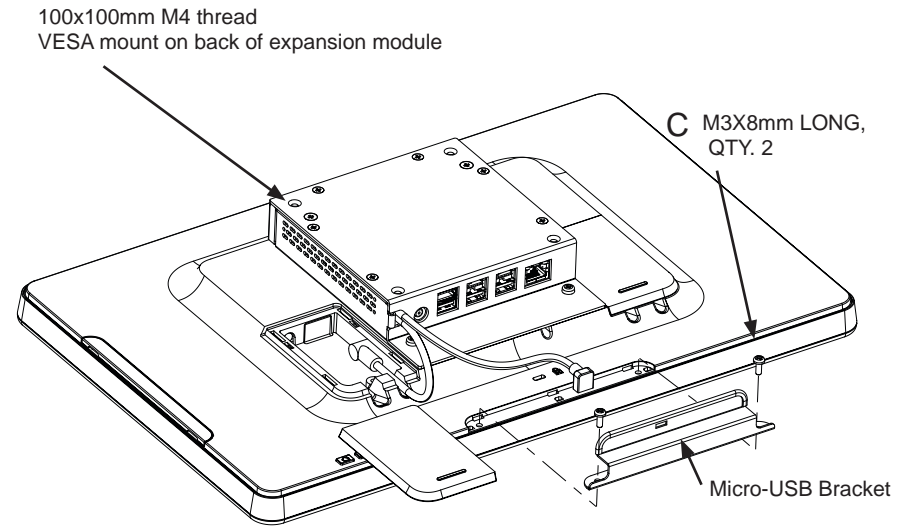
The information in this document is subject to change without notice. Elo Touch Solutions, Inc. and its Affiliates (collectively "Elo") makes no representations or warranties with respect to the contents herein, and specifically disclaims any implied warranties of merchantability or fitness for a particular purpose. Elo reserves the right to revise this publication and to make changes from time to time in the content hereof without obligation of Elo to notify any person of such revisions or changes.

No part of this publication may be reproduced, transmitted, transcribed, stored in a retrieval system, or translated into any language or computer language, in any form or by any means, including, but not limited to, electronic, magnetic, optical, chemical, manual, or otherwise without prior written permission of Elo Touch Solutions, Inc.

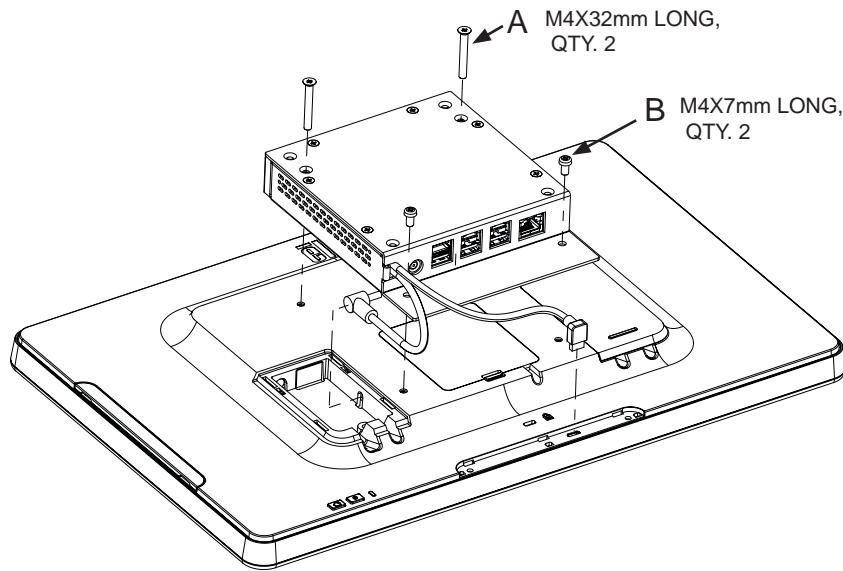
Elo (logo) and Elo Touch Solutions are trademarks of Elo and its Affiliates.



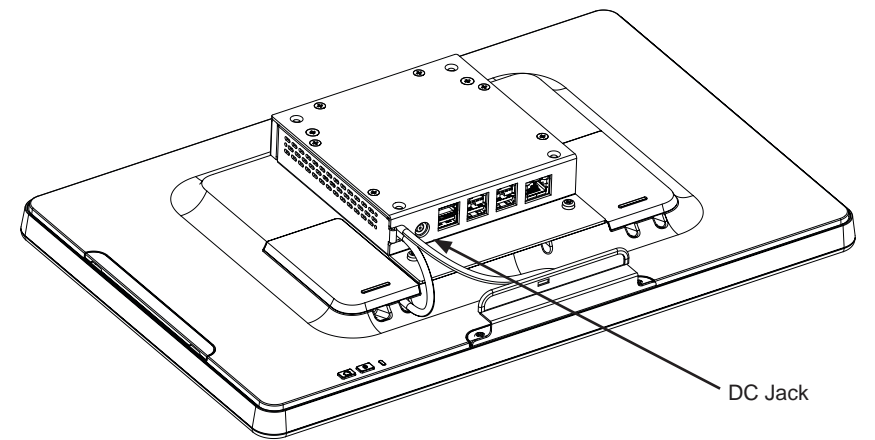
1. Remove DC power cover (D) and bottom peripheral cover (E).



3. Assemble micro-USB bracket using screws (C).



2. Assemble expansion module to VESA mount on back of i-Series using screws (A) and (B). Connect the DC power and micro-USB connections as shown.



4. Connect power supply provided with expansion module to the DC jack on expansion module. Continue installation of i-Series Display as desired using stands and mounts available at [www.elotouch.com](http://www.elotouch.com).