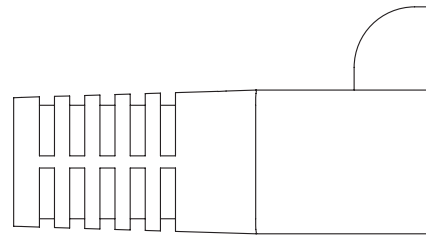
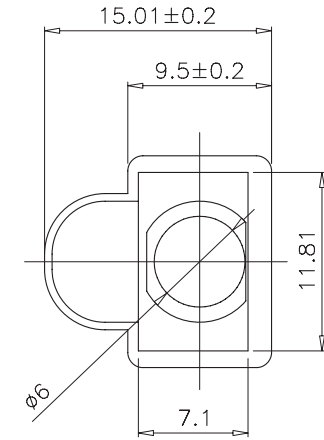
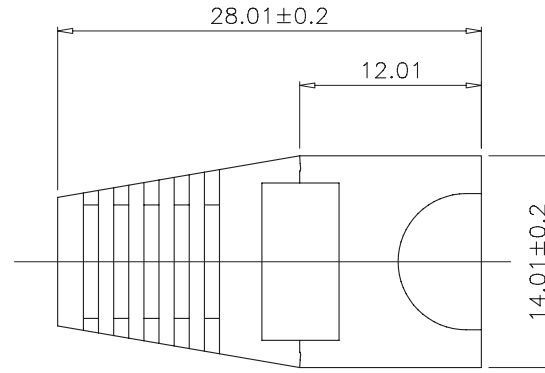


SCALE 2/1



- 22 2108 BLACK
- 22 2109 PINK
- 22 2110 BLUE
- 22 2111 WHITE
- 22 2112 ORANGE
- 22 2113 GREEN
- 22 2116 GREY
- 22 2118 RED
- 22 2122 VIOLET
- 22 2124 YELLOW
- 22 2114 BROWN

Specification :

Material :
1. SR : PVC 70%.

| | | | | |
|--------------------|-----------------|-----|-------------|---------------------|
| | DSGN | Wei | 22.APR.2010 | ITEM NO: 22 21xx |
| | CHK | kli | 22.APR.2010 | |
| UNIT M/M | APPR | Yty | 22.APR.2010 | |
| SCALE 1/4 | | | | |
| DWG NO: JE314/1 | Velocity | | | |