

Zoom Lens

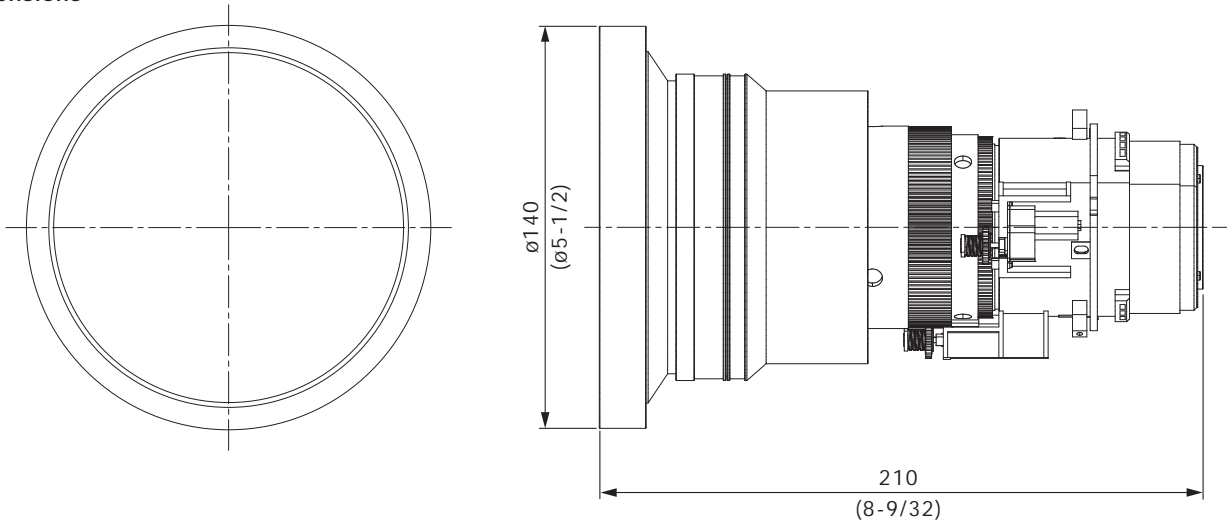
This zoom lens is designed for use with Panasonic's applicable projectors. The lens makes it possible to vary the projection distance by changing the focal distance.

NOTE: The lens cannot be used by itself. It must be mounted onto the specified Panasonic DLP™ projector.

Specifications

F value:	1.85–2.35
Focal distance (f):	14.7–19.7 mm
Throw ratio	WUXGA 1.0-1.3:1 for PT-RZ970/RZ770/RZ660/DZ870/DZ780 (16:10 aspect ratio) WXGA 1.0-1.4:1 for PT-RW930/RW730/RW620/DW830/DW750 (16:10 aspect ratio) XGA 1.0-1.4:1 for PT-RX110/DX100/DX820 (4:3 aspect ratio)
Dimensions (W × H × D):	140 × 140 × 210 mm (5-1/2 × 5-1/2 × 8-9/32 inches)
Weight:	Approx. 1.2 kg (2.6 lbs)
Applicable projector:	Group A PT-DZ870W/DZ870K/DZ870LW/DZ870LK/ DW830W/DW830K/DW830LW/DW830LK/ DX100W/DX100K/DX100LW/DX100LK Group B PT-RZ970W/RZ970B/RZ970LW/RZ970LB/ RW930W/RW930B/RW930LW/RW930LB/ RX110W/RX110B/RX110LW/RX110LB/ RZ770W/RZ770B/RZ770LW/RZ770LB/ RW730W/RW730B/RW730LW/RW730LB/ RZ660W/RZ660B/RZ660LW/RZ660LB/ RW620W/RW620JB/RW620JLW/RW620LB/ Group C PT-DZ780W/DZ780B/DZ780LW/DZ780LB/ DW750W/DW750B/DW750LW/DW750LB/ DX820W/DX820B/DX820LW/DX820LB

Dimensions

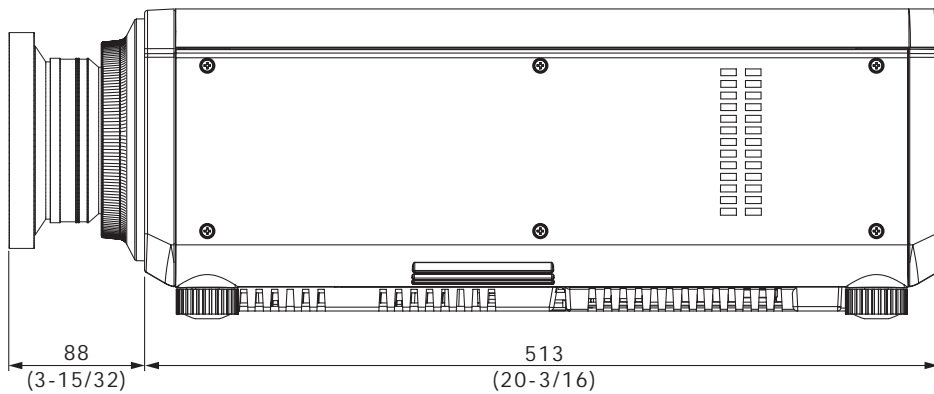


unit : mm (inch)

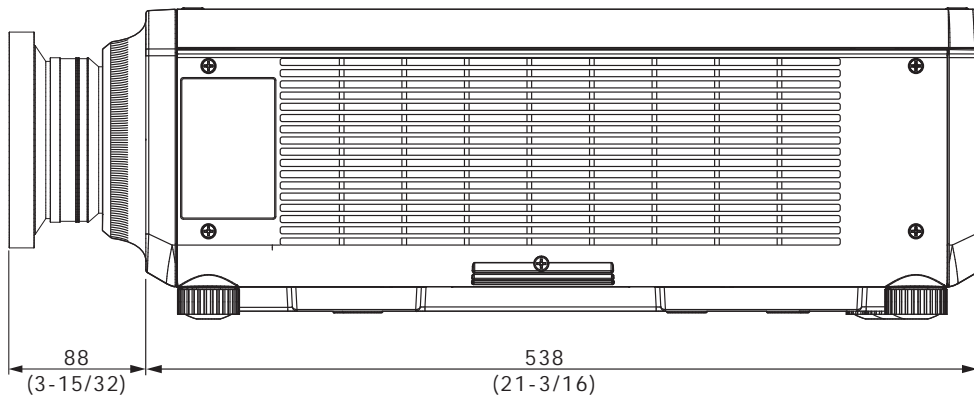
NOTE: This illustration is not drawn to scale.

Illustration shows the lens attached to an applicable projector.

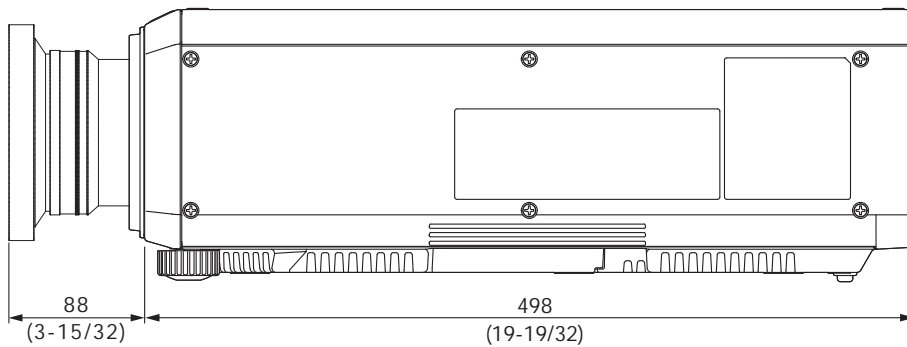
[Group A]



[Group B]



[Group C]



unit : mm (inch)

NOTE: This illustration is not drawn to scale.

For information on the projection distance, refer to the specifications for the projector to which the lens will be mounted.
 DLP is a trademark of Texas Instruments. Weights and dimensions shown are approximate. Specifications subject to change without notice.