

# MAXIMIZE YOUR WORKSPACE AND INCREASE PRODUCTIVITY

---



E60PQ-140003/076/PQ  
Category 5

Work Better. Feel Better.™



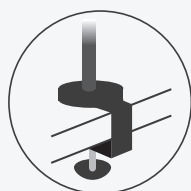


Using a monitor arm means that you can set your screen to be the exact height and angle to improve your health when working. Whether sitting or standing while using a computer, it will improve your ergonomic posture by preventing leaning forward or tilting of the neck, to avoid back, neck and eye strain.

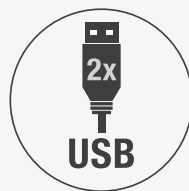
With office space shrinking, using a monitor arm also means you can free up valuable work-space. Maximize your work environment and in-line desk area through elevating your screen with clear space underneath, to become more organized and productive.



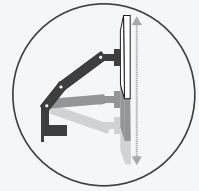
**Integrated Cable Management**  
Keep your workspace clutter free



**Clamp or Grommet Mount**  
Provides security and frees up desk space



**Integrated USB Ports**  
making it easy to stay connected



**Gas Spring Technology**  
Offers unlimited effortless adjustment

# Platinum Series™ Monitor Arms

Fully independent adjustable monitor arms increase workspace flexibility and collaboration

- Increase valuable desk space and easily adjust your monitor to reduce eye, neck and shoulder strain
- Connect your favorite devices with 2 USB ports conveniently located at the base of the product
- Easy and effortless monitor adjustment with innovative gas spring technology
- Mounts via clamp or grommet
- Minimize clutter with the intuitive cord management system
- Available in black, white or silver in both single or dual arms
- Meets VESA mounting standards

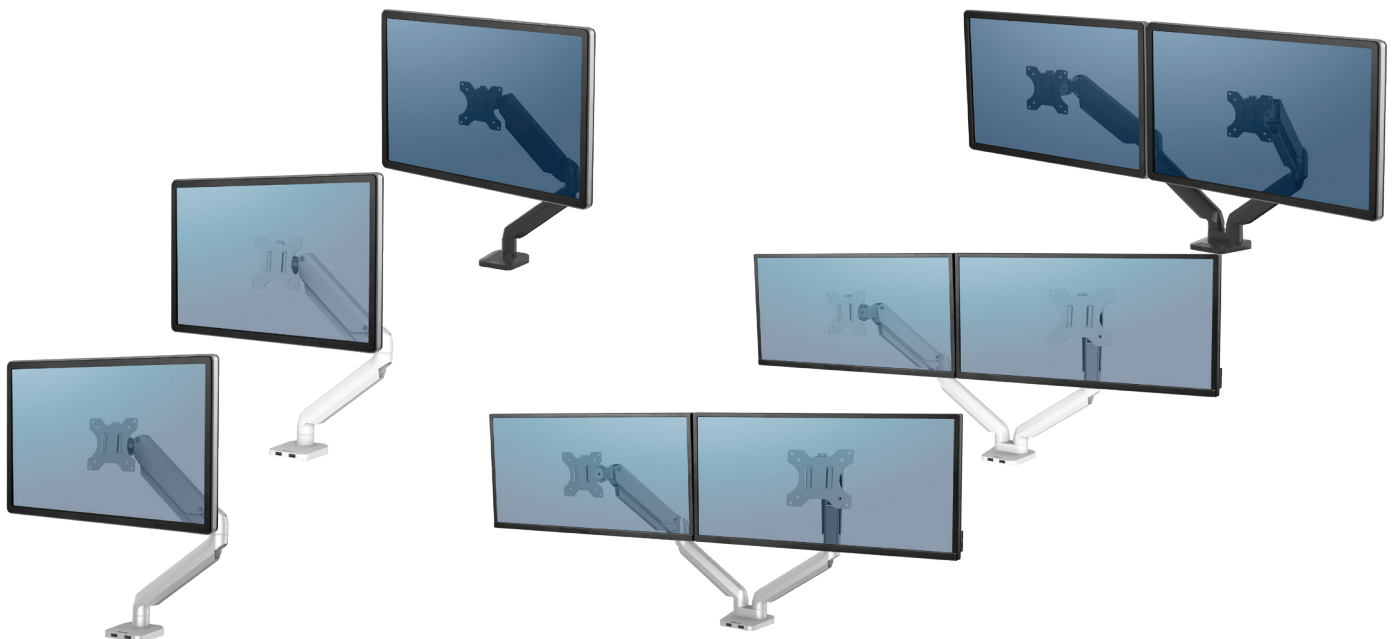
5MOASGARMCLPMTXXXXX - Single Monitor Arm - clamp

5MOASGARMGRMMTXXXXX - Single Monitor Arm - grommet

5MOADUARMCLPMTXXXXX - Dual Monitor Arm - clamp

5MOADUARMGRMMTXXXXX - Dual Monitor Arm - grommet

Description	Platinum Series™ Single Monitor Arm	Platinum Series™ Dual Monitor Arm
Product Number	8043301 - Black 8056201 - White 8056401 - Silver	8042501 - Black 8056301 - White 8056501 - Silver
H x W x D (inches)	23.25 x 19.5 x 4.5	23.25 x 37.34 x 4.5
Weight (lbs)	5.94	11.25
Number of Screens	1	2
Mounting Option	Clamp / Grommet	Clamp / Grommet
Level of Movement	Gas Spring	Gas Spring
Maximum Monitor Weight (lbs)	17.6	17.6
Maximum Monitor Size	32"	32"
Rotation	360°	360°
Pan	180°	180°
Tilt	+45°/-45°	+45°/-45°
Maximum Height (inches)	16.33"	16.33"
Maximum Reach (inches)	19.75"	19.75"
USB Connectivity	Yes	Yes
Cable Management	Yes	Yes
Desk compatibility	Clamps to desks 0.5" - 3.25" thick or via grommet fitting	Clamps to desks 0.5" - 3.25" thick or via grommet fitting
VESA Compliant	75 x 75, 100 x 100	75 x 75, 100 x 100
Warranty	3 Years Limited	3 Years Limited



# Understanding Specifications

## USB Connectivity

Work seamlessly with all your devices whilst remaining constantly connected with conveniently integrated USB ports.

## Rotation

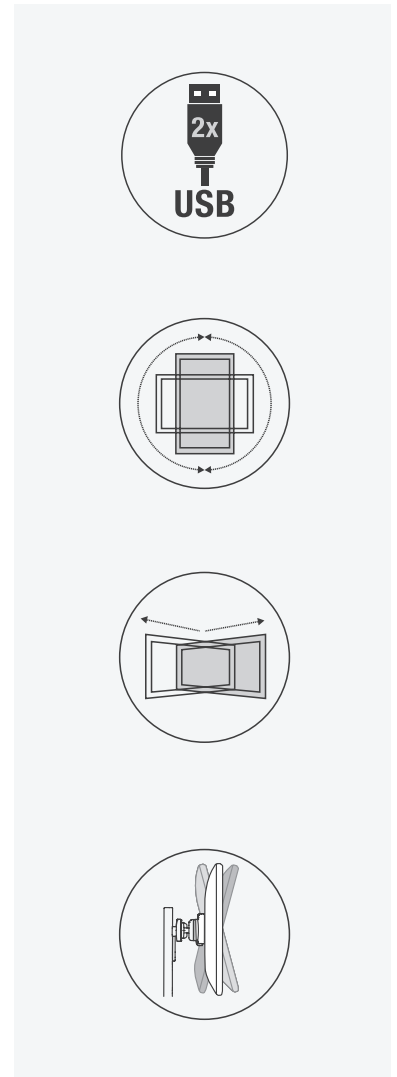
Flexibility to rotate your monitor upto 360° and view your screen in either a landscape or portrait position.

## Pan

Adjusting the monitor pan by angling the screen either inwards or outwards, allows you to easily achieve the correct position in front of you and reduce eyestrain. Especially useful where you are working with multiple screens.

## Tilt

Adjusting the monitor tilt upwards or downwards allows you to easily achieve the optimum angle of your screen for improved posture and decreased tension in your neck.

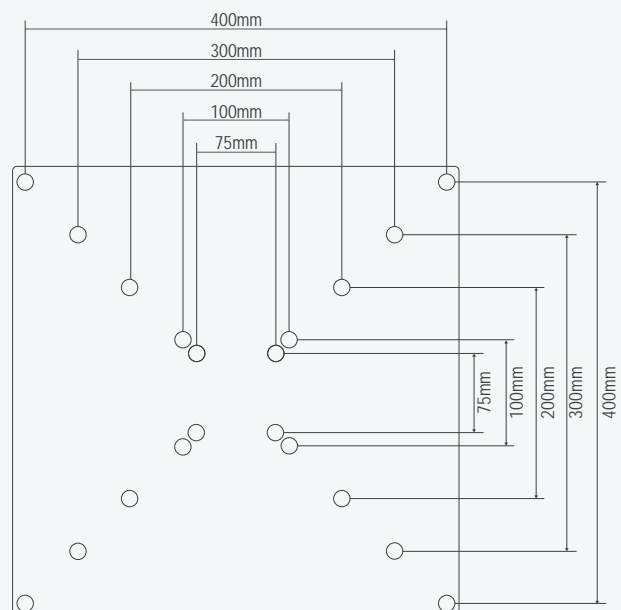


## VESA Compliance

Most monitors have a VESA hole pattern on the back of the screen. VESA stands for Video Electronic Standard Association and is the industry benchmark used by worldwide manufactures of flat screen monitors.

On these VESA compliant screens you will find a square or a rectangle shaped group of 4 attachment holes, on the backside of the screen (such as one of the patterns illustrated in the diagram pictured).

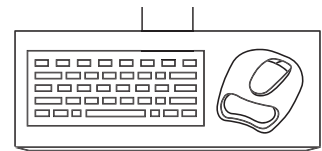
Fellowes mounting solutions are all designed to fit these various VESA standards.





# Keyboard Trays and CPU Stand

Keep proper alignment to avoid muscle strain and discomfort



PROTECTION THAT LIVES ON  
**MICROBAN**



PROFESSIONAL SERIES

## Executive Keyboard Trays

Features adjustable height and tilt on keyboard tray plus versatile Comfort-Lift™ system for mouse platform adjustment

- Height and tilt indicators let you customize keyboard tray settings
- Comfort-Lift™ system lets you slide mouse platform left or right over keyboard numeric pad and offers 2 custom height positions
- Single-touch lever, height and tilt
- Total mouse platform adjustability, height and tilt
- Warning Trak™ keeps mouse from sliding off tray
- Corner Executive (8035901) – Extended track length designed to maneuver in corner workstation

GOCUID 5KMSWFPSUF24WSXXXXX – Professional Series Executive Keyboard Tray

GOCUID 5KMSWFPSUF30WSXXXXX – Professional Series Corner Executive Keyboard Tray

PREMIUM

## CPU Stand

Product contains 95% pre-consumer recycled materials

- Adjusts from 6" to 9" wide to accommodate virtually all CPUs
- Supports up to 50 lbs.

GOCUID 5CPSSTDALXXXXXXXXXX



**Fellowes**  
Brands™

FAMILY BUSINESS  
SINCE 1917



To contact a Fellowes® service representative  
call 1-800-955-0959 or visit us on the web at  
[www.fellowes.ca](http://www.fellowes.ca)