

2-Post Desktop Rack - 8U

RK80D

FR: Guide de l'utilisateur - fr.startech.com
 DE: Bedienungsanleitung - de.startech.com
 ES: Guía del usuario - es.startech.com
 NL: Gebruiksaanwijzing - nl.startech.com
 PT: Guia do usuário - pt.startech.com
 IT: Guida per l'uso - it.startech.com

Warning statements

Make sure to assemble this product according to the instructions. Failure to do so might result in personal injury or property damage.

Make sure that the weight of the equipment doesn't exceed the weight capacity of this product. If you exceed the weight capacity, you might experience personal injury or damage to the equipment. This product can support the following weight: Up to 45.3 kg (100 lb.).

This product poses a tipping risk. Make sure to follow the installation instructions. Failure to do so might result in personal injury or property damage.

Never operate this product if parts are missing or damaged.

Dichiarazioni di avvertenza

Assemblare il prodotto rispettando le istruzioni. Il mancato rispetto delle istruzioni potrebbe causare danni a persone o proprietà.

Veri care che il peso dell'attrezzatura non superi la capacità di supporto del prodotto. In caso di superamento della capacità di supporto potrebbero verificarsi danni a persone o apparecchiature. Il prodotto è in grado di supportare i seguenti pesi: 45.3 kg.

Questo prodotto rappresenta un rischio di ribaltamento. Assicurarsi di seguire le istruzioni di installazione. Il mancato rispetto delle istruzioni potrebbe causare danni a persone o proprietà.

Non utilizzare il prodotto in presenza di parti mancanti o danneggiate.

Avertissements

Assemblez ce produit conformément aux instructions. Si vous ne respectez pas ces instructions, vous risquez de vous blesser ou d'endommager l'équipement.

Vérifiez que le poids de l'équipement ne dépasse pas la capacité pondérale du produit. Si vous dépassez la capacité pondérale, vous risquez des blessures corporelles ou des dommages matériels. Ce produit peut supporter de 45.3 kg.

Ce produit présente un risque de basculement. Veuillez à bien suivre les instructions d'installation. Si vous ne respectez pas ces instructions, vous risquez de vous blesser ou d'endommager l'équipement.

N'utilisez pas ce produit si des pièces sont endommagées ou manquantes.

Warnhinweise

Montieren Sie dieses Produkt gemäß den Anweisungen. Anderenfalls kann dies zu Verletzungen von Personen oder Schäden an Eigentum führen.

Das Gewicht der Ausrüstung darf die zulässige Traglast des Produkts nicht übersteigen. Wenn die Traglast überschritten wird, kann dies zu Verletzungen von Personen oder Schäden an Geräten führen. Dieses Produkt ist für folgendes Gewicht geeignet: 45.3 kg.

Dieses Produkt kann umkippen. Befolgen Sie daher die Installationsanweisungen genau. Anderenfalls kann es zu Verletzungen oder zur Beschädigung des Produkts kommen.

Das Produkt darf nicht bedient werden, wenn Teile fehlen oder beschädigt sind.

Varningsmeddelanden

Se till att du monterar produkten i enlighet med instruktionerna. Om du inte gör det kan skada på person eller egendom uppstå.

Se till att utrustningens vikt inte överstiger produktens viktkapacitet. Om viktkapaciteten överstigs kan skada på person eller utrustning uppstå. Denna produkt har stöd för följande vikter: 45.3 kg.

Denna produkt har en tippningsrisk. Var noga med att följa installationsinstruktionerna. Om du inte gör det kan skada på person eller egendom uppstå.

Använd aldrig produkten om delar saknas eller är skadade.

Mensagens de aviso

Certi que-se de que monta este produto de acordo com as instruções. O incumprimento pode resultar em ferimentos pessoais ou danos de propriedade.

Certi que-se de que o peso do equipamento não excede a capacidade de peso deste produto. Se exceder a capacidade de peso, pode sofrer ferimentos pessoais ou danos no equipamento. Este produto pode suportar o seguinte peso: 45.3 kg.

Este produto representa um risco pois pode tombar. Certi que-se de que segue as instruções de instalação. O incumprimento pode resultar em ferimentos pessoais ou danos de propriedade.

Nunca opere este produto se faltarem peças ou estas estiverem danificadas.

Waarschuwingen

Zorg dat dit product volgens de instructies in elkaar wordt gezet. Indien dit niet goed gebeurt kan lichamelijk letsel of materiële schade ontstaan.

Zorg dat het gewicht van de apparatuur de maximale capaciteit van dit product niet overschrijdt. Als u de gewichtscapaciteit overschrijdt, kan persoonlijk letsel of schade aan de apparatuur ontstaan. Dit product ondersteunt het volgende gewicht: 45.3 kg.

Dit product kan omvallen. Volg altijd de installatie-instructies op, om te voorkomen dat lichamelijk letsel of materiële schade ontstaat.

Gebruik dit product nooit als er onderdelen ontbreken of beschadigd zijn.

Advertencias de uso

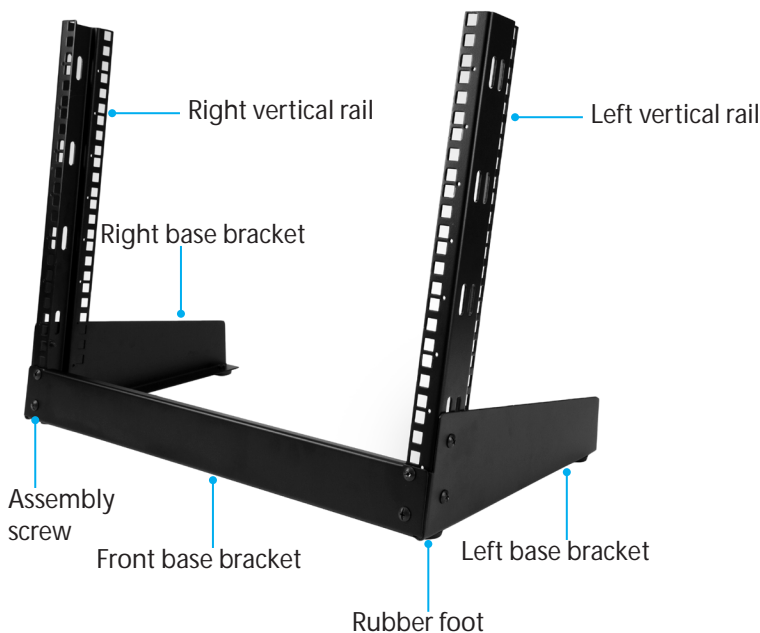
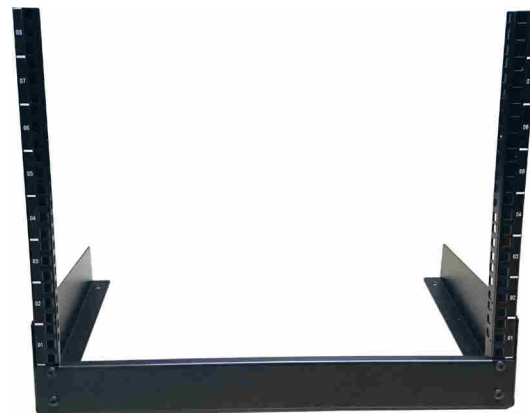
Asegúrese de ensamblar este producto según las instrucciones. De lo contrario, pueden producirse lesiones personales o daños en la propiedad.

Asegúrese de que el peso del equipo no exceda la capacidad de carga de este producto. Si se excede dicha capacidad se podrían producirse lesiones personales o daños al equipo. Este producto tiene la siguiente capacidad de carga: 45.3 kilogramos.

Este producto puede tener riesgos de vuelco. Asegúrese de seguir las instrucciones de instalación. De lo contrario, pueden producirse lesiones personales o daños en la propiedad.

Nunca opere o ponga en funcionamiento este producto si faltan piezas o hay daños en las mismas.

Product diagram



*actual product may vary from photos

Introduction

The RK80D provides a cost-effective mounting option where space might be limited. This 8U rack features a lightweight two-post design that is suitable for installation on or around your desk, providing easy access to the mounted equipment in your workspace.

Package contents

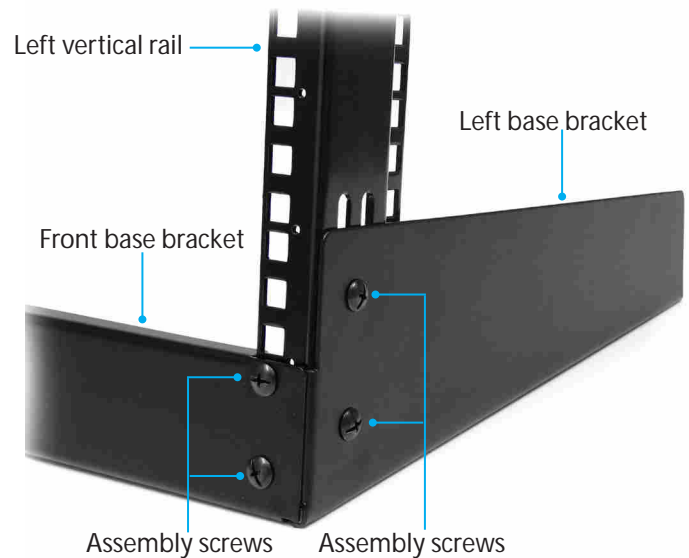
- 1 x left base bracket
- 1 x right base bracket
- 1 x left vertical rail
- 1 x right vertical rail
- 1 x front base bracket
- 4 x rubber feet
- 8 x assembly screws
- 20 x M5 screws
- 20 x M5 cage nuts
- 1 x instruction manual

Assembly

Warning! Make sure that the weight of the equipment doesn't exceed the weight capacity of this product. If you exceed the weight capacity, you might experience personal injury or damage to the equipment. This product can support the following weight: Up to 45.3 kg (100 lb.).

1. Remove the pins from the inside of the four **Rubber feet**.
2. Push the **Rubber feet** into the holes on the underside of the **Left base bracket** and **Right base bracket**, and insert the pins back into the **Rubber feet**.
3. Align the assembly holes on the side of the **Left base bracket** with the assembly holes on the side of the **Left vertical rail**.
4. Insert two of the **Assembly screws** through the **Left base bracket** and into the **Left vertical rail**, and tighten the screws in place.
5. Repeat steps 2 and 3 with the **Right base bracket** and the **Right vertical rail**.
6. Align the assembly holes on each end of the **Front base bracket** with the assembly holes on the front of the **Left base bracket** and the **Right base bracket**.
7. Insert the **Assembly screws** through the **Front base bracket** and into the **Left base bracket** and the **Right base bracket**. Tighten the screws in place.

8. Arrange your equipment in the rack so that the heaviest item is on the bottom of the rack and the other items are arranged in descending order of weight, with the lightest item installed at the top of the rack.
 9. Use the provided **M5 screws** and **M5 cage nuts** to mount the equipment into the rack.
- Caution!** Don't move the rack after you mount equipment into it. Instead, remove the equipment, relocate the empty rack, and then load the equipment back into the rack.



Use of Trademarks, Registered Trademarks, and other Protected Names and Symbols

This manual may make reference to trademarks, registered trademarks, and other protected names and/or symbols of third-party companies not related in any way to StarTech.com. Where they occur these references are for illustrative purposes only and do not represent an endorsement of a product or service by StarTech.com, or an endorsement of the product(s) to which this manual applies by the third-party company in question. Regardless of any direct acknowledgement elsewhere in the body of this document, StarTech.com hereby acknowledges that all trademarks, registered trademarks, service marks, and other protected names and/or symbols contained in this manual and related documents are the property of their respective holders.

Technical Support

StarTech.com's lifetime technical support is an integral part of our commitment to provide industry-leading solutions. If you ever need help with your product, visit www.startech.com/support and access our comprehensive selection of online tools, documentation, and downloads. For the latest drivers/software, please visit www.startech.com/downloads

Warranty Information

This product is backed by a lifetime warranty.

StarTech.com warrants its products against defects in materials and workmanship for the periods noted, following the initial date of purchase. During this period, the products may be returned for repair, or replacement with equivalent products at our discretion. The warranty covers parts and labor costs only. StarTech.com does not warrant its products from defects or damages arising from misuse, abuse, alteration, or normal wear and tear.

Limitation of Liability

In no event shall the liability of StarTech.com Ltd. and StarTech.com USA LLP (or their officers, directors, employees or agents) for any damages (whether direct or indirect, special, punitive, incidental, consequential, or otherwise), loss of profits, loss of business, or any pecuniary loss, arising out of or related to the use of the product exceed the actual price paid for the product. Some states do not allow the exclusion or limitation of incidental or consequential damages. If such laws apply, the limitations or exclusions contained in this statement may not apply to you.