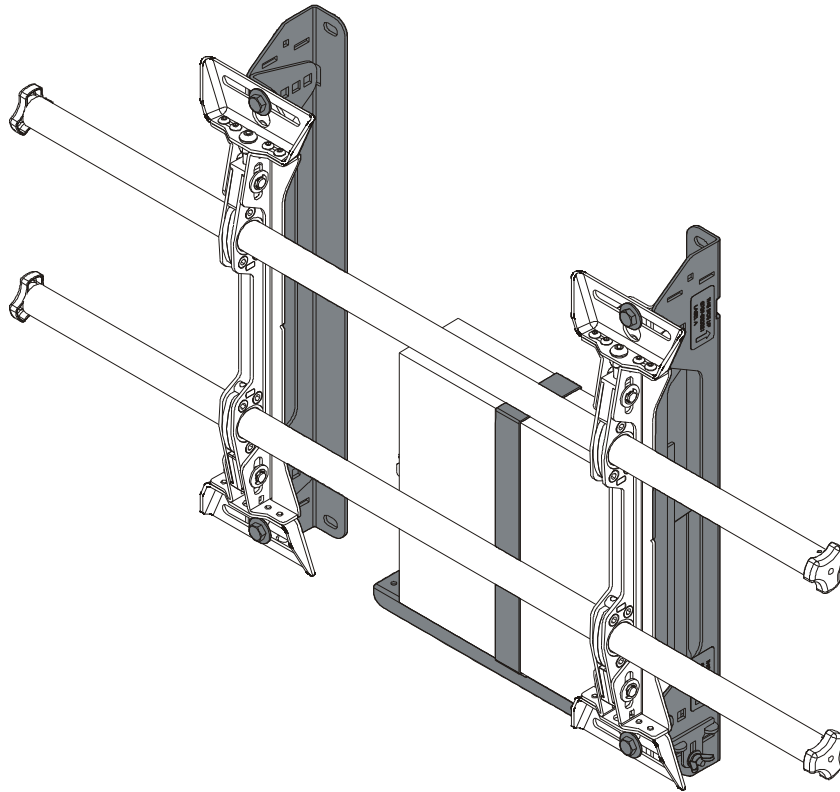

INSTALLATION INSTRUCTIONS



Fusion CPU Extender Accessory

DISCLAIMER

Milestone AV Technologies and its affiliated corporations and subsidiaries (collectively "Milestone"), intend to make this manual accurate and complete. However, Milestone makes no claim that the information contained herein covers all details, conditions or variations, nor does it provide for every possible contingency in connection with the installation or use of this product. The information contained in this document is subject to change without notice or obligation of any kind. Milestone makes no representation of warranty, expressed or implied, regarding the information contained herein. Milestone assumes no responsibility for accuracy, completeness or sufficiency of the information contained in this document.

Chief® is a registered trademark of Milestone AV Technologies. All rights reserved.

! IMPORTANT WARNINGS AND CAUTIONS!

! WARNING: A WARNING alerts you to the possibility of serious injury or death if you do not follow the instructions.

! CAUTION: A CAUTION alerts you to the possibility of damage or destruction of equipment if you do not follow the corresponding instructions.

! WARNING: Failure to read, thoroughly understand, and follow all instructions can result in serious personal injury, damage to equipment, or voiding of factory warranty! It is the installer's responsibility to make sure all components are properly assembled and installed using the instructions provided.

! WARNING: Failure to provide adequate structural strength for this component can result in serious personal injury or damage to equipment! It is the installer's responsibility to make sure the structure to which this component is attached can support five times the combined weight of all equipment. Reinforce the structure as required before installing the component.

! WARNING: Exceeding the weight capacity can result in serious personal injury or damage to equipment! It is the installer's responsibility to make sure the combined weight of all components attached to the FCA113 does not exceed 250 lbs (113.4 kg) or the maximum weight limit of the specific Fusion mount being attached. The maximum weight that can be installed onto the FCA113 shelf is 30 lbs (13.6 kg).

! WARNING: Use this mounting system only for its intended use as described in these instructions. Do not use attachments not recommended by the manufacturer.

! WARNING: Never operate this mounting system if it is damaged. Return the mounting system to a service center for examination and repair.

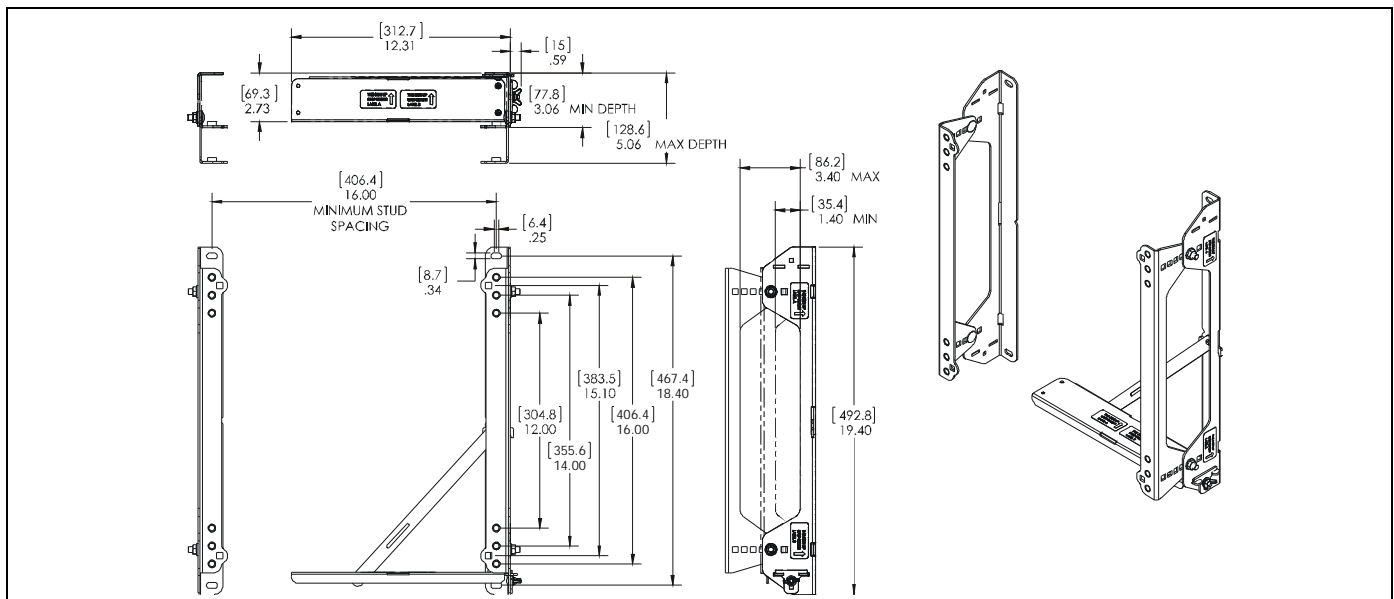
! WARNING: Do not use this product outdoors.

IMPORTANT ! : The FCA113 accessory is designed to be mounted to:

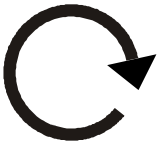

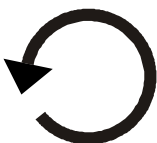









- a bare 8" concrete or 8"x8"x16" concrete block wall, or
- a 2" x 4" wood studs wall covered by drywall with a maximum thickness of 5/8".

--SAVE THESE INSTRUCTIONS--

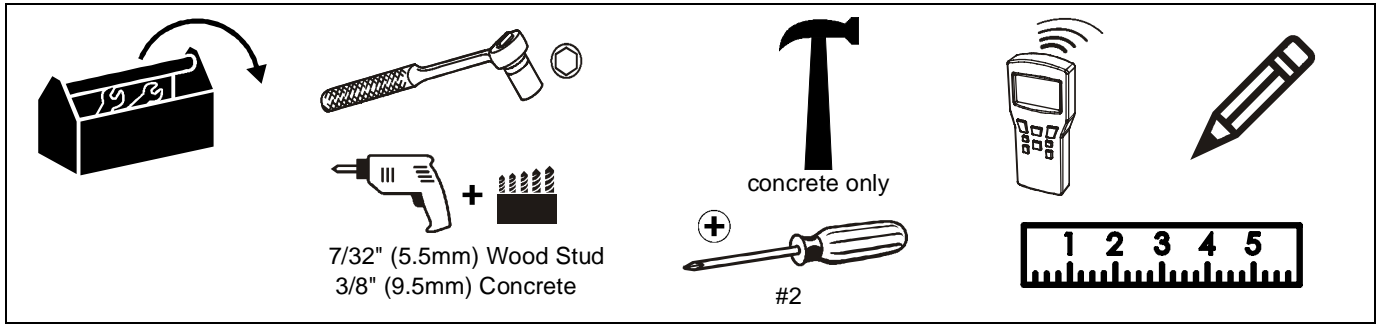
DIMENSIONS



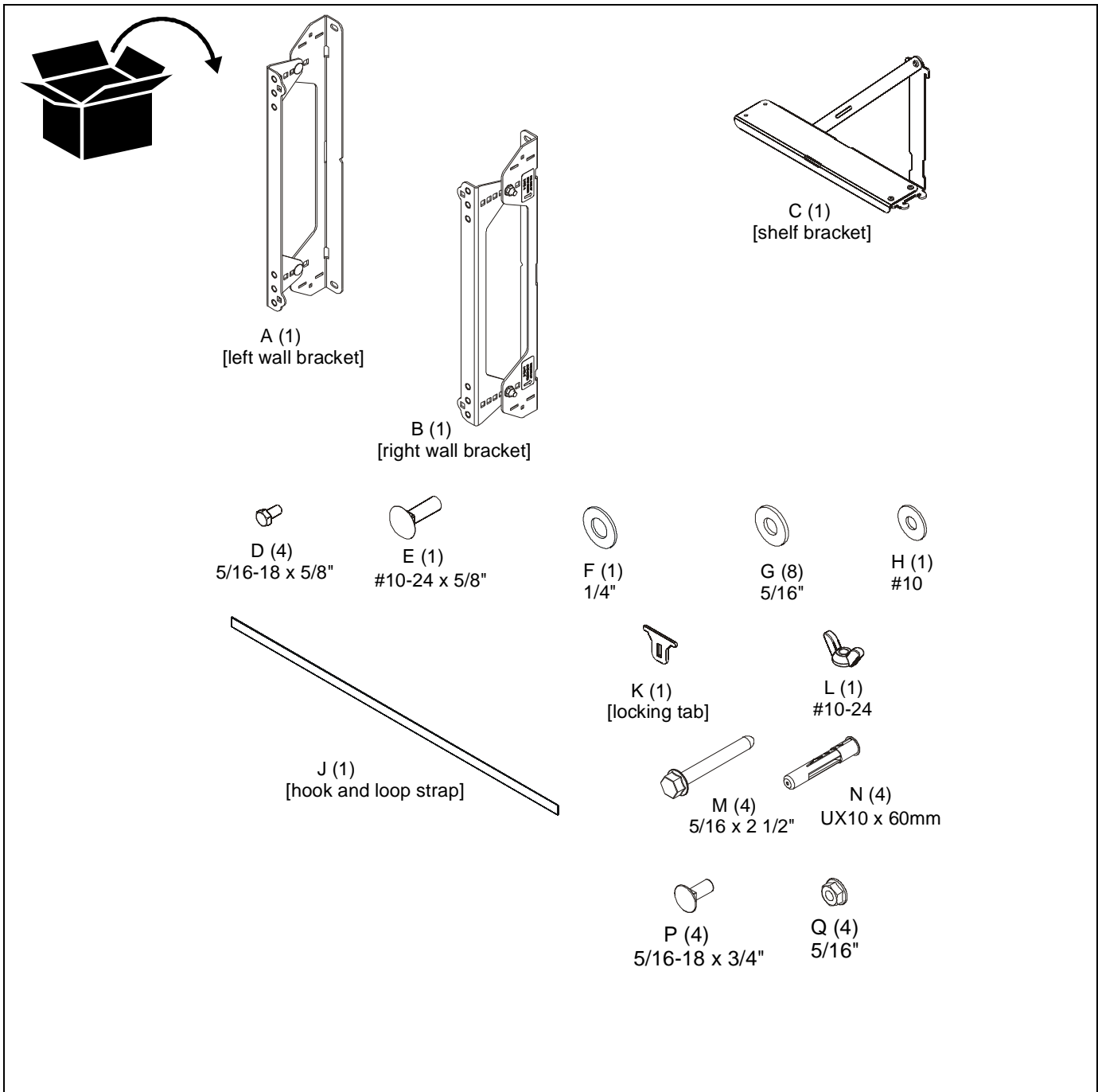
LEGEND

	<p>Tighten Fastener</p> <p>Apretar elemento de fijación</p> <p>Befestigungsteil festziehen</p> <p>Apertar fixador</p> <p>Serrare il fissaggio</p> <p>Bevestiging vastdraaien</p> <p>Serrez les fixations</p>		<p>Pencil Mark</p> <p>Marcar con lápiz</p> <p>Stiftmarkierung</p> <p>Marcar com lápis</p> <p>Segno a matita</p> <p>Potloodmerkteken</p> <p>Marquage au crayon</p>
	<p>Loosen Fastener</p> <p>Aflojar elemento de fijación</p> <p>Befestigungsteil lösen</p> <p>Desapertar fixador</p> <p>Allentare il fissaggio</p> <p>Bevestiging losdraaien</p> <p>Desserrez les fixations</p>		<p>Drill Hole</p> <p>Perforar</p> <p>Bohrloch</p> <p>Fazer furo</p> <p>Praticare un foro</p> <p>Gat boren</p> <p>Percez un trou</p>
	<p>Phillips Screwdriver</p> <p>Destornillador Phillips</p> <p>Kreuzschlitzschraubendreher</p> <p>Chave de fendas Phillips</p> <p>Cacciavite a stella</p> <p>Kruiskopschroevendraaier</p> <p>Tournevis à pointe cruciforme</p>		<p>Adjust</p> <p>Ajustar</p> <p>Einstellen</p> <p>Ajustar</p> <p>Regolare</p> <p>Afstellen</p> <p>Ajuster</p>
	<p>Open-Ended Wrench</p> <p>Llave de boca</p> <p>Gabelschlüssel</p> <p>Chave de bocas</p> <p>Chiave a punte aperte</p> <p>Steeksleutel</p> <p>Clé à fourche</p>		<p>Remove</p> <p>Quitar</p> <p>Entfernen</p> <p>Remover</p> <p>Rimuovere</p> <p>Verwijderen</p> <p>Retirez</p>
	<p>By Hand</p> <p>A mano</p> <p>Von Hand</p> <p>Com a mão</p> <p>A mano</p> <p>Met de hand</p> <p>À la main</p>		<p>Optional</p> <p>Opcional</p> <p>Optional</p> <p>Opcional</p> <p>Opzionale</p> <p>Optie</p> <p>En option</p>
	<p>Hex-Head Wrench</p> <p>Llave de cabeza hexagonal</p> <p>Sechskantschlüssel</p> <p>Chave de cabeça sextavada</p> <p>Chiave esagonale</p> <p>Zeskantsleutel</p> <p>Clé à tête hexagonale</p>		<p>Security Wrench</p> <p>Llave de seguridad</p> <p>Sicherheitsschlüssel</p> <p>Chave de segurança</p> <p>Chiave di sicurezza</p> <p>Veiligheidsleutel</p> <p>Clé de sécurité</p>

TOOLS REQUIRED FOR INSTALLATION



PARTS



INSTALLATION

Locate Mounting Site



WARNING: Exceeding the weight capacity can result in serious personal injury or damage to equipment! It is the installer's responsibility to make sure the combined weight of all components attached to the FCA113 does not exceed 250 lbs (113.4 kg) or the maximum weight limit of the specific Fusion mount being attached. The maximum weight that can be installed onto the FCA113 shelf is 30 lbs (13.6 kg).

IMPORTANT ! : The FCA113 can be installed to a bare 8" concrete or 8"x8"x16" concrete block wall, or a 2" x 4" wood studs wall covered by drywall with a maximum thickness of 5/8".

IMPORTANT ! : The minimum distance between fasteners must meet the minimum distance requirements for the mount to which it is being attached.

NOTE: Proceed to either the **Installing to a Wood Stud Wall** section or the **Installing to a Concrete Wall** section.

NOTE: If already installed, Fusion mount must be uninstalled prior to FCA113 installation. Fusion hardware may be discarded as the FCA113 mounting hardware will be used to mount the FCA113 to wall.



WARNING: Mounting holes previously used to mount Fusion to wall may NOT be reused to install FCA113 to wall! Drill all new holes for FCA113 installation.

Installing to a Wood Stud Wall

1. Determine the center of the TV screen, and where it should be located on the wall.
2. Locate the closest 2" x 4" stud to the left and right of the selected location.

NOTE: If the screen area lies over a stud, use that stud and the stud to either the left or right of it.

3. Line up the notches on accessory (A or B) with center of screen marking to determine vertical center. (See Figure 1)
4. Measure up 9.2" (233.7 mm) from the center point to mark location of the upper mounting slots.

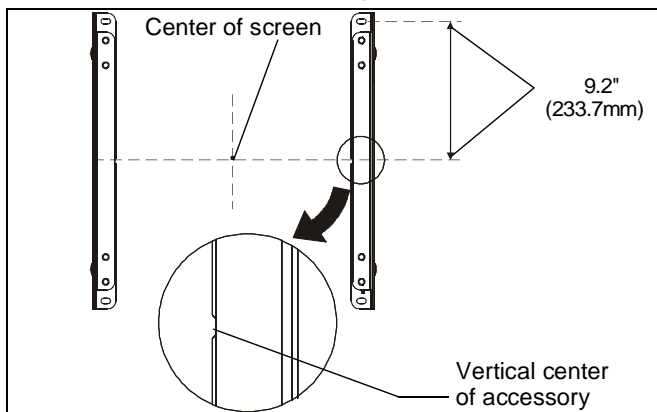


Figure 1

5. Using a level, mark the wall on each stud to attach the brackets through the upper mounting slots. (See Figure 2)



WARNING: ELECTRICAL SHOCK HAZARD! CUTTING OR DRILLING INTO ELECTRICAL CORDS OR CABLES CAN CAUSE DEATH OR SERIOUS PERSONAL INJURY! ALWAYS make certain area behind mounting surface is free of electrical wires and cables before drilling or installing fasteners.



WARNING: EXPLOSION AND FIRE HAZARD! CUTTING OR DRILLING INTO GAS PLUMBING CAN CAUSE DEATH OR SERIOUS PERSONAL INJURY! ALWAYS make certain area behind mounting surface is free of gas, water, waste, or any other plumbing before cutting, drilling, or installing fasteners.

6. Drill one 7/32" (5.5mm) pilot hole in each stud.
7. Use two 5/16 x 2-1/2" lag bolts (M) and two 5/16" flat washers (G) to attach top of brackets (A and B) to wall. (See Figure 2)

NOTE: If desired CPU location is off to the side of the display, reverse brackets (A and B) from how they are shown in Figure 2.

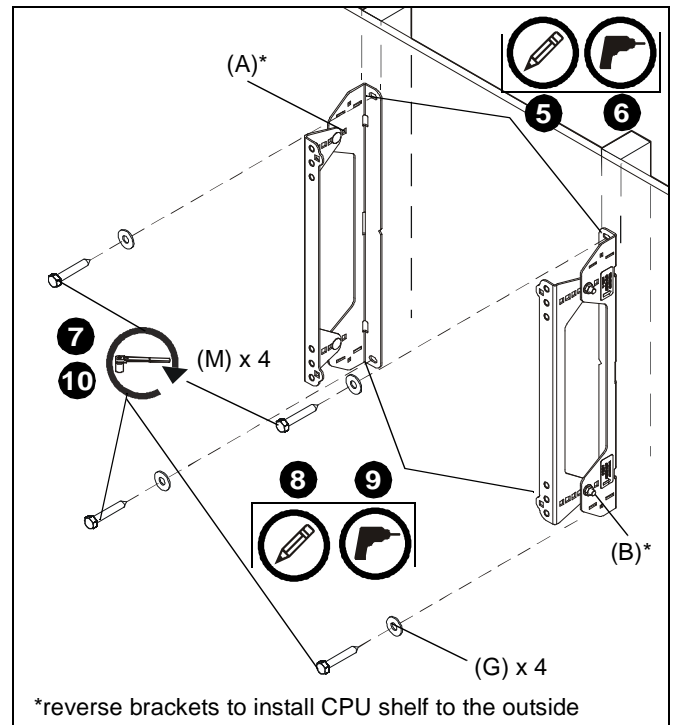


Figure 2

8. Mark the attachment points for the lower mounting slots, making sure the attachment points are located on the studs. (See Figure 2)
9. Drill 7/32" (5.5mm) pilot holes at markings for lower mounting holes. (See Figure 2)
10. Use two 5/16 x 2-1/2" lag bolts (M) and two 5/16" flat washers (G) to attach the accessory to the wall through the lower mounting holes. (See Figure 2)
11. Proceed to Installing Shelf to Brackets Section.

Installing to a Concrete Wall

1. Determine the center of the TV screen, and where it should be located on the wall.
2. Line up the notches on bracket (A and B) with center of screen marking to determine vertical center. (See Figure 1)
3. Measure up 9.2" (233.7mm) from the center point to mark location of the upper mounting slots. (See Figure 1)
4. Using a level, mark the wall through both upper mounting slots. (See Figure 3)

IMPORTANT ! : The minimum distance between fasteners must meet the minimum distance requirements for the mount to which it is being attached.



WARNING: INSTALLING THE FCA113 INTO UNDERRATED OR DAMAGED CONCRETE CAN LEAD TO SERIOUS INJURY OR DAMAGE TO PRODUCT! When installing into concrete, only install the FCA113 into concrete at least 8" in depth or into 8"x8"x16" concrete blocks! Never install the FCA113 into cracked, chipped or flaking concrete.

IMPORTANT ! : The FCA113 accessory is designed to be mounted to a bare 8" concrete or 8"x8"x16" concrete block wall with NO wall covering!



WARNING: ELECTRICAL SHOCK HAZARD! CUTTING OR DRILLING INTO ELECTRICAL CORDS OR CABLES CAN CAUSE DEATH OR SERIOUS PERSONAL INJURY! ALWAYS make certain area behind mounting surface is free of electrical wires and cables before drilling or installing fasteners.



WARNING: EXPLOSION AND FIRE HAZARD! CUTTING OR DRILLING INTO GAS PLUMBING CAN CAUSE DEATH OR SERIOUS PERSONAL INJURY! ALWAYS make certain area behind mounting surface is free of gas, water, waste, or any other plumbing before cutting, drilling, or installing fasteners.

5. Drill one 3/8" (9.5mm) pilot hole with a depth of 3 1/2" (88.9mm) at each marking. (See Figure 3)
6. Install a UX10 anchor (N) into each pilot hole using a hammer, making sure that the anchor is flush with the wall. (See Figure 3)

NOTE: If desired CPU location is off to the side of the display, reverse brackets (A and B) from how they are shown in Figure 3.

7. Use two 5/16 x 2-1/2" lag bolts (M) and two 5/16" flat washers (G) to attach top of brackets (A and B) to anchors in wall. (See Figure 3)
8. Mark the attachment points for the lower mounting slots. (See Figure 3)
9. Drill one 3/8" (9.5mm) pilot hole with a depth of 3 1/2" (88.9mm) for each mounting hole. (See Figure 3)
10. Install a UX10 anchor (N) into each pilot hole using a hammer.

11. Use two 5/16 x 2-1/2" lag bolts (M) and two 5/16" flat washers (G) to attach the brackets to the wall through the lower mounting holes. (See Figure 3)

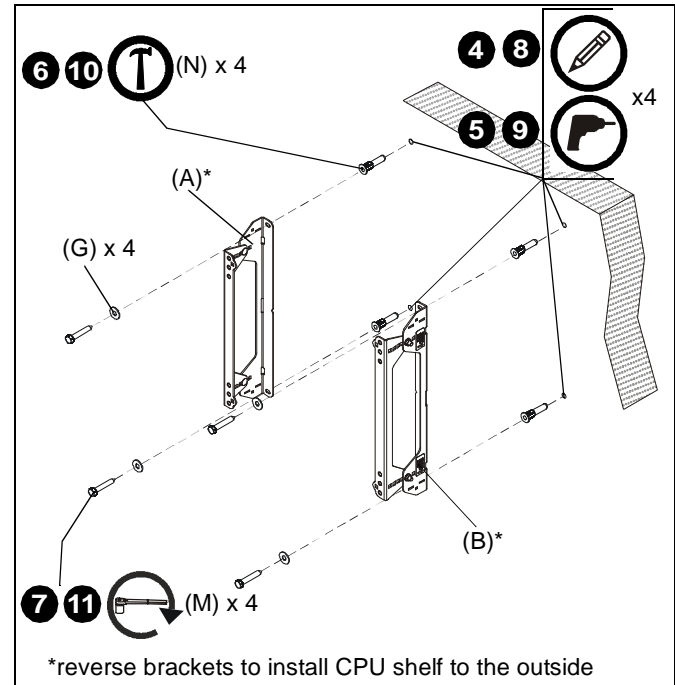


Figure 3

Installing Shelf to Brackets

1. Hang shelf bracket (C) onto right wall bracket (B). (See Figure 4)

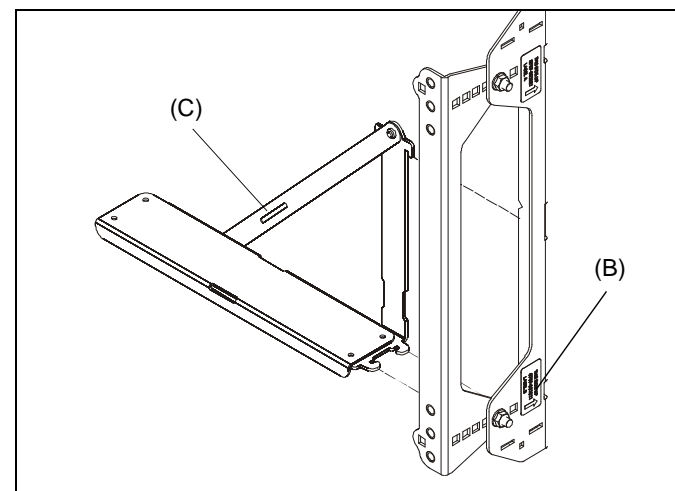


Figure 4

- Use #10-24 x 5/8" carriage bolt (E), #10-24 wing nut (L), 1/4" washer (F) and #10 washer (H) to secure locking tab (K) to right wall bracket (B). (See Figure 5)

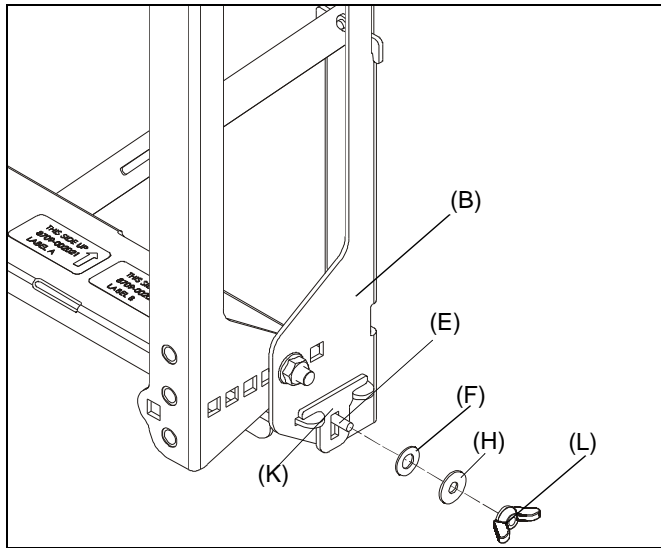


Figure 5

- Adjust depth of brackets depending on depth of CPU to install. Remove four screws and nuts holding adjustment screws in place and replace after desired depth is achieved. (See Figure 6)

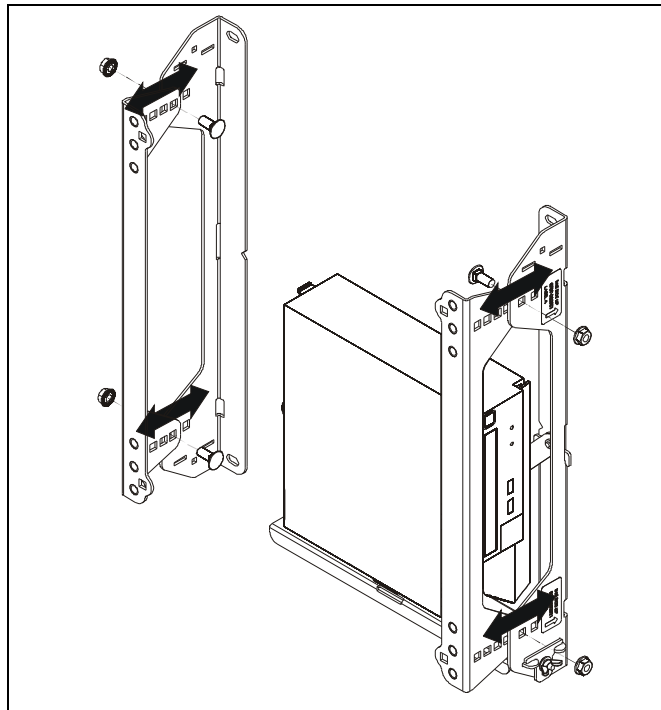


Figure 6

- Make all CPU connections and place CPU securely on shelf.
- Use hook and loop strap (J) to secure CPU to shelf (C). (See Figure 7)

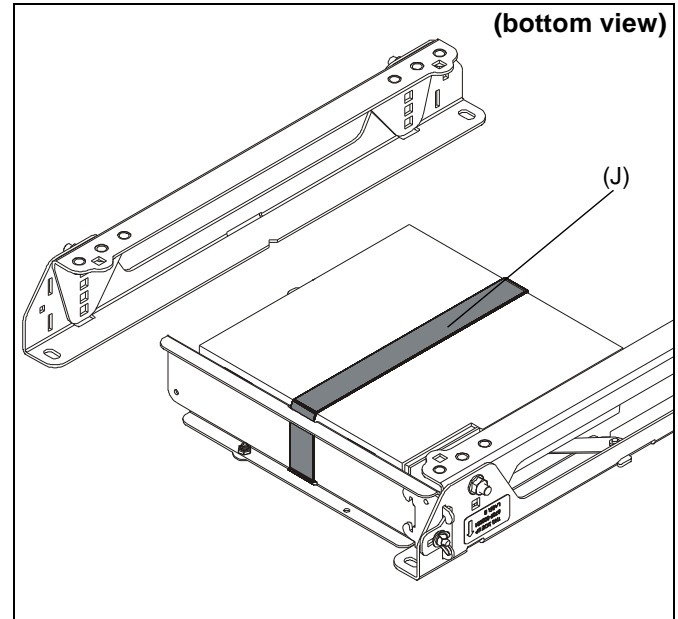


Figure 7

Installing Fusion Mount to FCA113

- Use four 5/16-18 x 5/8" hex head bolts (D) and four 5/16" washers (G) to secure Fusion rail mount to brackets (A and B). (See Figure 8)

NOTE: For some older Fusion models, four 5/16-18 X 3/4" round head carriage bolts (P) and four 5/16" hex nuts (Q) must be used to attach fusion mount to FCA113 using the square holes on FCA113 brackets. (See Figure 8)

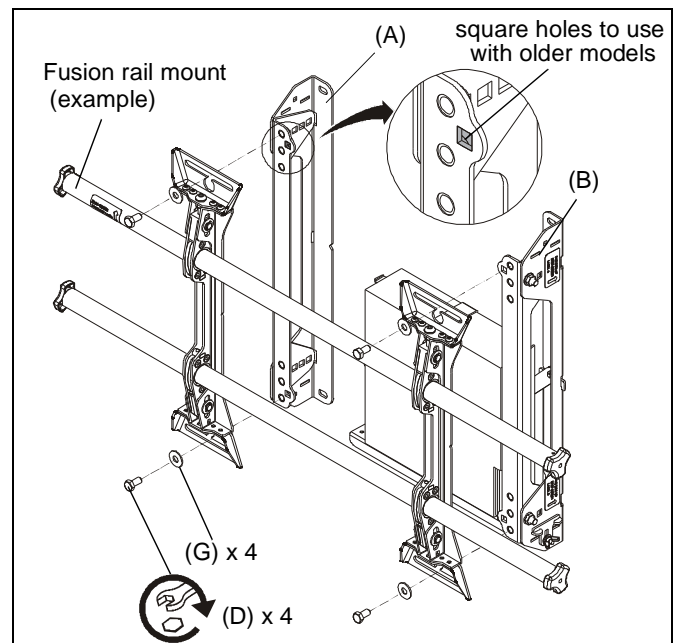


Figure 8

- Install display to Fusion mount following the Fusion mount's installation instructions.



Our Mounts. **Your Vision.**

Chief, a products division of
Milestone AV Technologies

8800-002723 Rev00
©2015 Milestone AV Technologies
www.chiefmfg.com
04/15

USA/International	A 6436 City West Parkway, Eden Prairie, MN 55344 P 800.582.6480 / 952.225.6000 F 877.894.6918 / 952.894.6918
Europe	A Franklinstraat 14, 6003 DK Weert, Netherlands P +31 (0) 495 580 852 F +31 (0) 495 580 845
Asia Pacific	A Office No. 918 on 9/F, Shatin Galleria 18-24 Shan Mei Street Fotan, Shatin, Hong Kong P 852 2145 4099 F 852 2145 4477

