



FEATURES

- 1 SMOOTH SWIVEL**
Prevent screen from colliding with walls or furniture by setting rotation limits at 15°, 30°, 45° or 90°.
- 2 CABLE MANAGEMENT**
Easily route and conceal cables through a wide, in-column channel for a clean finish.
- 3 SECURE INSTALLATION**
Stand bolts down for a safe installation, and ships with universal security hardware for additional theft prevention.
- 4 EASY ORDERING**
Built-in universal interface fits most screens 32 – 52", and everything needed for installation is provided in just one SKU.



SPECIFICATIONS

Swivel Options	15°, 30°, 45°, 90°
Mounting Surface Thickness	Min: 0.25" (6 mm) Max: 1.94" (49 mm)
Weight Capacity	125 lbs (56.7 kg)
Colors	Black

WHAT YOU NEED TO KNOW

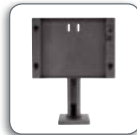
ABOUT STLU

Mounting pattern range: VESA® 100 x 100 mm – 600 x 400 mm.

APPLICATION RECOMMENDATION

Ideal for hospitality applications.

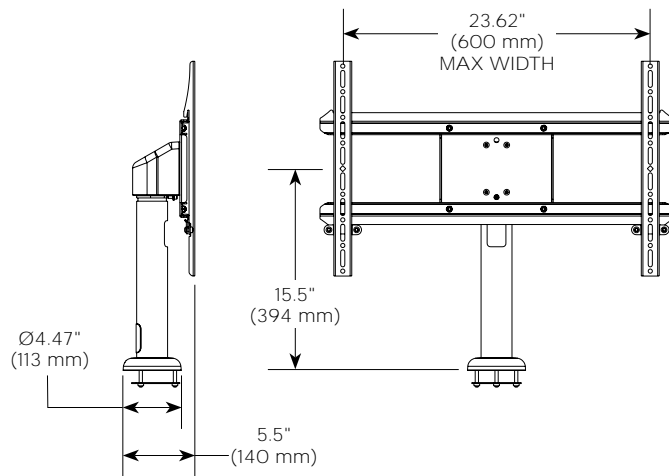
OTHER PRODUCT OPTION



MTS

30 - 50" Security Table Stand

TECHNICAL DRAWINGS



HOSPITALITY APPLICATION

