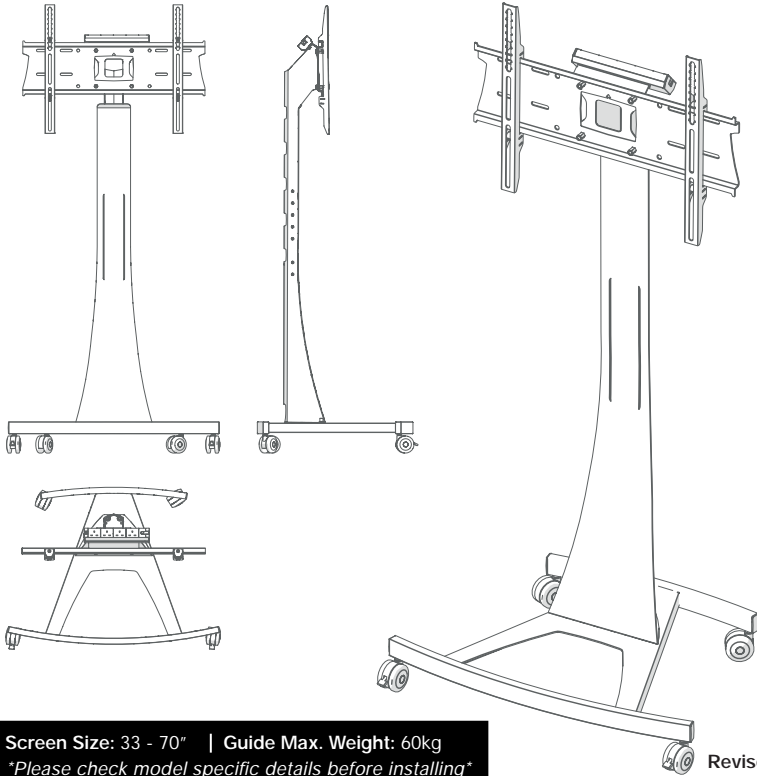


## AX12P / AX12T / AX15P / AX15T / AX15B / AX16P



### WARNING

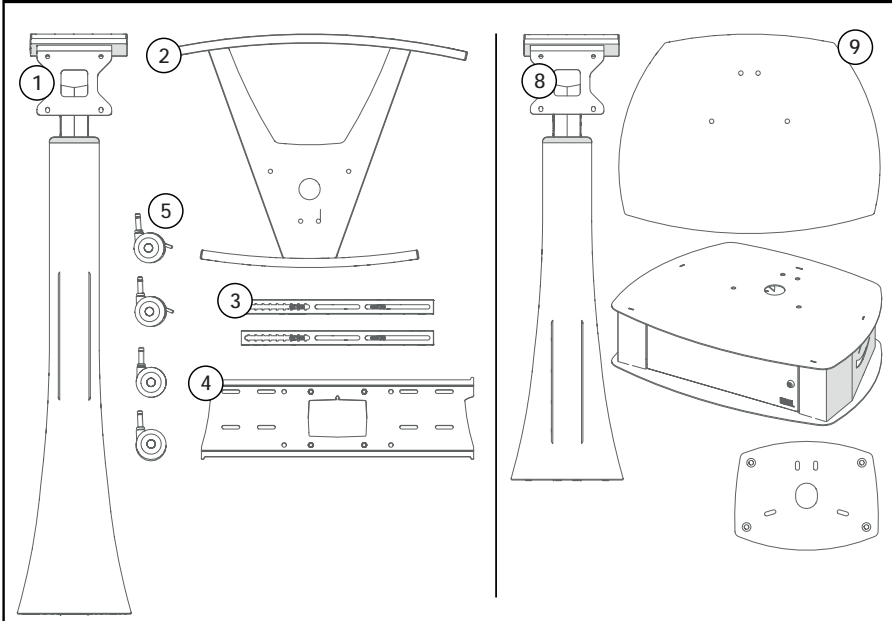
Please carefully inspect the product before assembling. If you notice any apparent damage, call your carrier claims agent and do not continue the installation until it has been reviewed. Please watch for pinch points. Do not put your fingers between moveable parts. Do not tamper with or disassemble any spring loaded parts. Before installing, make sure that the supporting surface will support five times the combined load of the solution and the hardware. Never exceed the maximum load capacity. Please also layout all components to ensure that you have all of the required parts before proceeding (see BOM list on following page). Use of this product for anything other than its specified use may result in failure or personal injury. This product is intended for indoor use only. We recommend using a qualified trades person for installation. Use an assistant or lifting equipment to lift and position products.

*For support, please call: +44 (0)1865 767676 or email: sales@unicol.com*

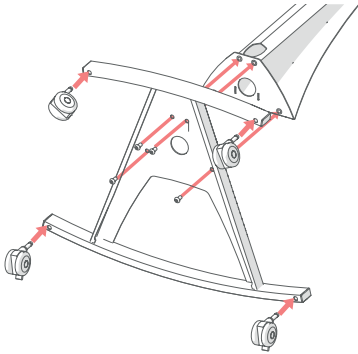
#	TOOLS REQUIRED
1	Pozi Head Screwdriver
2	M5 Allen Key
3	M6 Allen Key
4	Rubber Mallet
5	17mm Spanner

INSTALLERS REQUIRED
1-2

## COMPONENTS



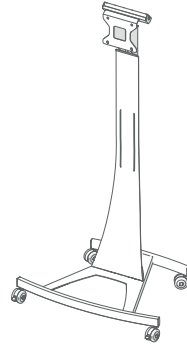
#	DESCRIPTION	QTY
1	1500mm Mast with Power Socket	1
2	Axia Trolley Base	1
3	Universal Mount Arms	2
4	Universal Mount Backplate	1
5	7.5cm Castors (2 standard, 2 braked)	4
6	M10 x 20 Button Head Screws	4
7	M10 x 25 Button Head Screws	4
8	Alternative 1200mm or 1000mm Mast	-
9	Alternative Bases	-
10	Optional Accessories	-



### STEP 1

With mast laying flat on a table (as shown above) pick up the base with the help of another person and offer the base to the mast. Ensure fixing holes are aligned and then secure with M10x25 screws.

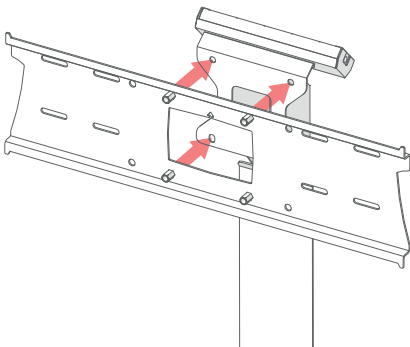
OPTIONAL: Locate the castors and push them into position (use a mallet if required). Ensure the 2 braked castors are located at the front.



### STEP 2

Once secure, stand the stand/trolley upright and place on a flat, stable surface. If building the trolley version shown, lock the brakes located on the front castors to prevent movement. Attach the 4-way power socket.

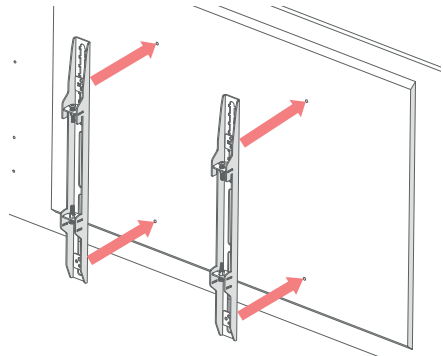
*\*Electrical socket instructions supplied separately*



### STEP 3

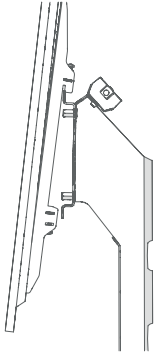
Line the back plate up with the fixing holes at top of mast. Fix 4 x M10x20 screws through mast to locate into back plate. Ensure back plate is secure and screws are tightened.

*[4-way electrical socket included but will need to be attached separately]*



### STEP 4

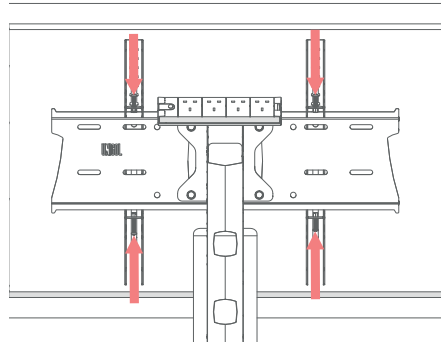
Locate the mounting holes on the back of your screen. Line the two mounting arms up (position arm hooks at the top of the screen) and using the tag locks and manufacturer recommended screws provided in fixing kit, attach the arms to the back of the screen.



### STEP 5

Using another team member, lift the screen up and gradually offer it up to the back plate. Gently tilting the screen forward, hook the arms over the lip of the back plate and lower once in position.

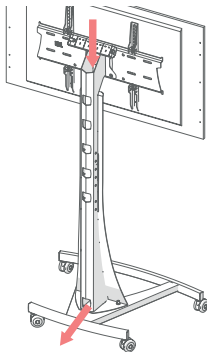
Centre the screen horizontally by sliding from side to side until you are happy with the position.



### STEP 6

Once centered, ensure the bottom screws are not screwed tight and screw down the top screws to level the screen. Once level tighten bottom screws to secure the mount.

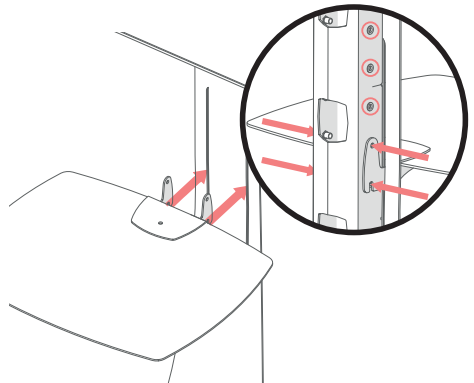
*Note that you won't be able to adjust the screen position after the screws have been tightened.*



### STEP 7

Using the 4-way socket for power and mast as a cable conduit, cable up your screen as shown above.

Your solution is now ready to go!

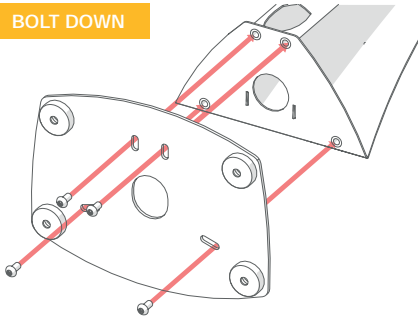


### STEP 8 [OPTIONAL]

If using a shelf or locking cabinet, offer it up to the mast, sliding the 'arms' through the slits located in the centre of the mast.

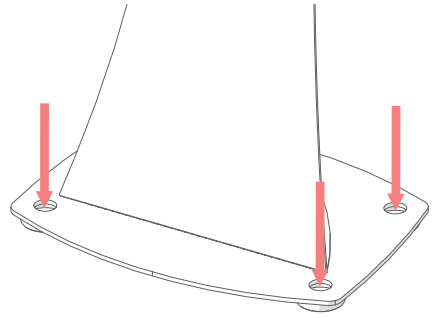
Using the fixing points on the back of the mast, choose your designated height and screw into position.

## BOLT DOWN



### STEP 1a

With mast laying flat on a table (as shown above) pick up the base and offer the base to the mast. Ensure fixing holes are aligned and then secure with M10x25 screws.

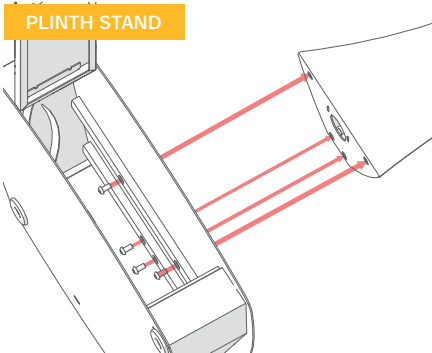


### STEP 2a

Once secure, stand the stand/trolley upright and place on a flat, stable surface. Mark position of holes, as highlighted above, and fix into the floor.

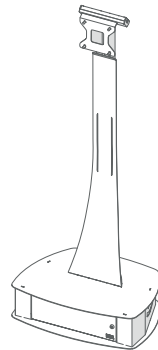
Attach the 4-way power socket to the top of the stand. Follow on from Step 3.

## PLINTH STAND



### STEP 1b

With mast laying flat on a table, pick up the base with the help of another person and offer the base to the mast. Unlock the plinth door and ensure fixing holes are aligned and then secure with M10x25 screws from within the plinth.



### STEP 2b

Once secure, stand the stand upright and place on a flat, stable surface. Close the plinth

Attach the 4-way power socket. Follow on from Step 3.