

XFX

PERFORMANCE GAMING GRAPHICS SINCE 2002

SERIES
AMD RADEON RX
SPEEDSTER SERIES

EDITION
Z SUPPORT BAR

Thank you and congratulations on purchasing your XFX Speedster Series Graphics card.

The Speedster series of graphics cards is the finest and highest quality line of graphics cards XFX has ever produced. It is the culmination of 20 years of industry leading experience and innovation in GPU technology. This Speedster model graphics card features XFX's brand new and unique Z support bar support technology.

The Z support bar technology was originally designed for high end system builders in order to protect the GPU, Motherboard, and other PC components from damage due to vibration

while in transit. While this accessory is not required for full operation, it is highly recommended to use it to protect your investment in not only your graphics card, but your entire gaming computer.

XFX will continue doing its best to provide amazing gaming experiences; by not only delivering high quality graphics cards with innovative features but also providing award winning product support and customer service.

We appreciated your continued support.

Play Hard!
XFx

What's Included



A
1x Z Support Bar



B
3x M3-32 Screws

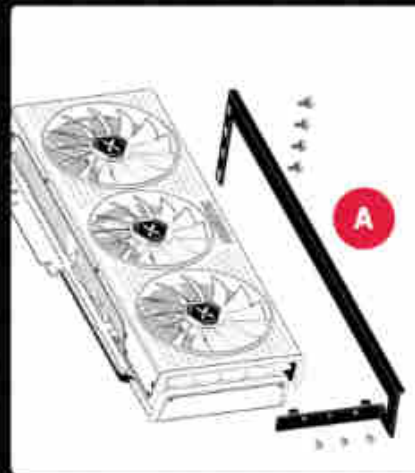


C
4x M6-32 Screws

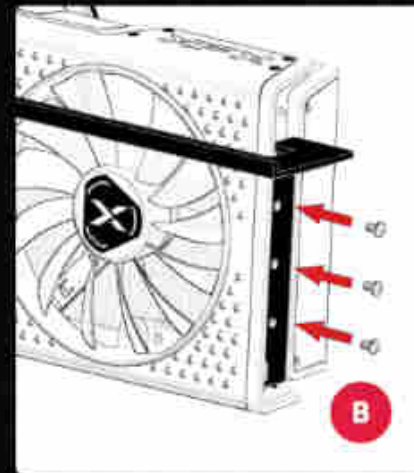


D
1x Metal Plate

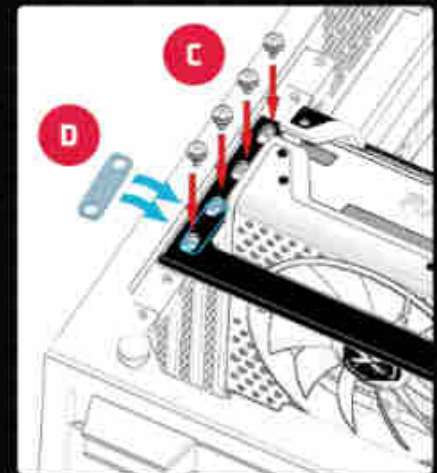
Installation Guide



STEP 1
Ensure that you have the **(A) one Z Support Bar** positioned properly as pictured before installing.



STEP 2
Affix the bar to the end of the GPU using the **(B) three M3-32 screws**



STEP 3
After installing the GPU in to motherboards PCI-E slot, affix the bar to the case and GPU using the **(C) four M6-32 screws** and the **(D) metal plate**.