

MOUNT
SCREENS
UP TO
130KG

BT9910

XL HEAVY DUTY UNIVERSAL FLAT SCREEN WALL MOUNT WITH TILT

Designed to mount the largest screens on the market, the heavy duty BT9910 is capable of supporting weights of 130kg when wall mounted. Ideal for screens over 65" the mount features a choice of 4 tilt positions from 0° up to 15° with the universal interface accommodating screens with mounting patterns up to 1000mm x 600mm. With keyhole fixings on the wall plate and a hook-on mounting system, the BT9910 is designed for an easy installation and features height adjustment screws which allow the screen to be levelled once mounted.

SPECIFICATION

Recommended screen size	65" up to 100"
Max load	130kg*
VESA® & non-VESA fixings	up to 1000 x 600mm
Tilt positions	0°, 5°, 10°, 15°
Distance from wall (when mounted at)	82mm
Colour	Black

**Please note the max weight is limited to 80kg when mounted across two poles*

FEATURES

- Designed to mount extra-large screens 65" and over
- Lateral adjustment of screen once mounted
- Adjustment screws allow screen to be levelled once mounted
- Heavy duty 4mm steel capable of supporting the heaviest screens
- Safety screws included to prevent removal of screen
- Compatible with B-Tech's System 2 pole mounting system
- Simple 'hook-on' installation with all mounting hardware included



100"
254CM

VESA
1000
x
600

130KG

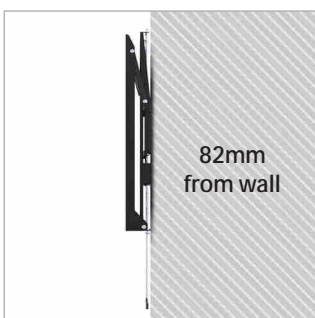
80KG

15°

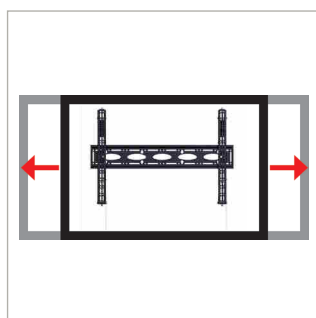
↔

—|—

On Wall On Poles



Mounts screen just 82mm from the wall when mounted at



Post installation screen alignment



Adjustment screws allow screen to be levelled once mounted



Compatible with B-Tech's collar and pole system for pole mounting heavy duty screens

