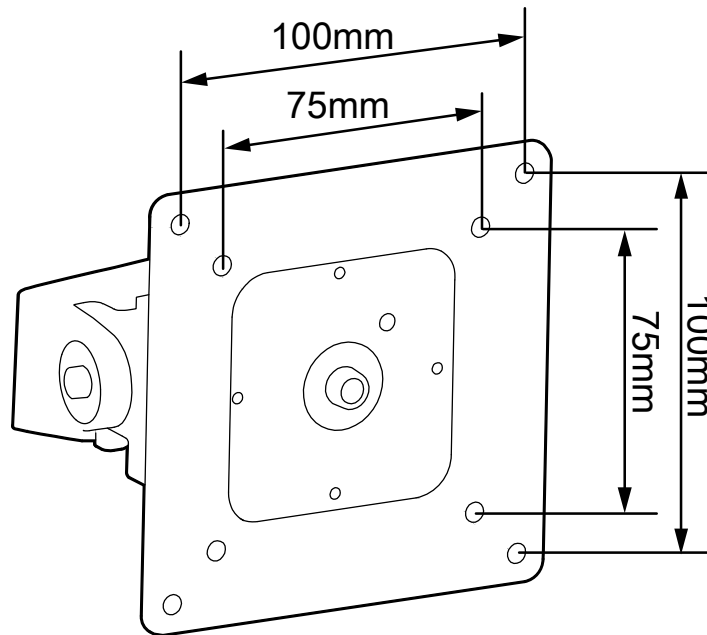


HX Heavy-Duty Tilt Pivot



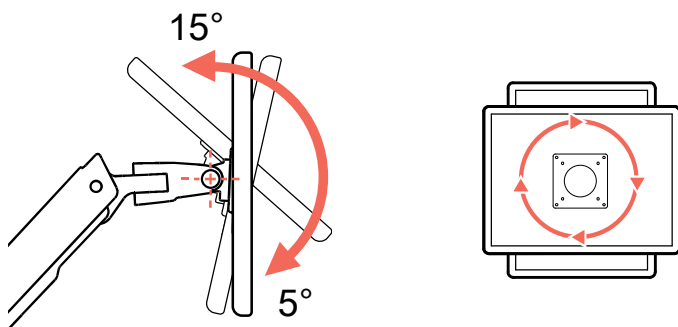
WEIGHT CAPACITY

28 - 42 lbs. (12.7 - 19 kg)

For displays 6"-12" (152-305mm) deep.

Recommend >1"(25mm) thick worksurface for **minimum vibration**.

RANGE OF MOTION



© 2020 Ergotron, Inc. rev. 11/10/2020 DIM-Hxpivot **Content is subject to change without notification**

Americas Sales and Corporate Headquarter

St. Paul, MN USA
(800) 888-8458
+1-651-681-7600
www.ergotron.com
insidesales@ergotron.com

EMEA Sales

Amersfoort, The Netherlands
+31 33 45 45 600
www.ergotron.com
info.eu@ergotron.com

APAC Sales

Sydney, Australia
www.ergotron.com
apacustomerservice@ergotron.com

Worldwide OEM Sales

www.ergotron.com
info.oem@ergotron.com