

# ZYXEL



## LTE5388-M804

### 4G LTE-A Indoor IAD

The Zyxel LTE5388-M804 is an LTE-A IAD with supports to Cat. 12 to provide lightning-fast mobile Internet connection suitable for indoor applications. In order to provide a failover safety net, the LTE5388 supports the “Dual-WAN Failover” function to keep subscribers constantly connected for path-sensitive connections such as VoIP or VPN traffics.

### Benefits

#### Lightning-fast Internet connectivity

The Zyxel LTE5388-M804 4G LTE-A Indoor IAD employs 3GPP UE downlink Category 12 – the highest-level practice LTE technology with data rates of up to 600/100 Mbps\* through built-in 4x4 MIMO high-performance antennas.

#### Easy installation with space-saving design

Simple and intuitive device design will provide your subscribers with a satisfying internet experience. This is due to the intuitive user-friendly interface and space-saving size of the device. Zyxel LTE5388-M804 will increase your service rating amongst subscribers and boost your business and secure your OPEX.



3GPP Release 12 Category12 with data rates of up to 600/100 Mbps\* (DL/UL)



AC2050 dual-band concurrent links



Bridge and router modes



Supports configurable “Dual-WAN Failover”



Supports LTE 4x4 MIMO with build-in high-performance antennas



Supports TR-069 remote management



Support VoIP/VoLTE (optional)

## Secure your network stability

With “Dual-WAN failover” function the service provider is able to configure the LAN1 port as recovery WAN, in order to keep a non-stop network connection and increase subscriber satisfaction. The TR-069 support increases the diagnostic and troubleshooting process, without sending the technician to the customer’s side. This, in turn, reduces the OPEX.

## Specifications

### System Specifications

#### IP Networking

- Cellular and Ethernet WAN failover and fallback
- Support IPv4/IPv6 dual stack
- DHCP client/server
- VPN pass-through (PPTP/IPSec and L2TP pass-through)
- Data roaming disable/enable
- IP Firewall
- NAT/NAPT
- Port forwarding/DMZ
- DNS/DDNS
- Supports router mode/bridge mode (IP pass-through)
- Primary WAN/secondary WAN management

#### WLAN Feature

- Auto channel selection
- WiFi Protected Setup (WPS)
- WiFi Multimedia (WMM)
- Security: none, WPA2-Personal, WPA+WPA2
- MAC address filtering with 64 address supported
- Multiple SSIDs/hide SSIDs
- WLAN scheduling

#### Management

- APN management
- SIM PIN/PUK management
- SMS management
- Secure remote management via TR-069/Web GUI
- Network selection
- Operating frequency band selection
- FOTA firmware upgrade

### Hardware Specifications

#### LTE Air Interface

- Standard-compliant: 3GPP Release 12 Cat. 12
- Support LTE band :
  - LTE FDD: B1/B3/B5/B7/B8/B20/B28
  - LTE TDD: B38/40/41

- Support up to 3x DL Intra/Inter band CA
- Support 2x UL intra band CA (for more detail information please contact local sales)
- Peak data rate:
  - 600 Mbps DL within 60 MHz bandwidth (CA)
  - 100 Mbps UL within 40 MHz bandwidth

#### UMTS Air Interface

- Supported frequency:
  - HSPA+/UMTS 2100/1800/900/850 MHz (band 1/3/5/8)
  - WCDMA: 2100/1800/900/850 MHz
- HSPA+ downlink data rate up to 42 Mbps
- HSUPA uplink data rate up to 5.76 Mbps

#### WiFi Air Interface

- Wireless standard (concurrent)
  - IEEE802.11 b/g/n, 2.4 GHz
  - IEEE802.11 a/n/ac, 5 GHz
- Wireless speed:
  - 300 Mbps\* for 2.4 GHz
  - 1733 Mbps\* for 5 GHz
- WiFi 2.4 GHz antenna: 2x2 internal antennas up to 3 dBi
- WiFi 5 GHz antenna: 4x4 internal antennas up to 5 dBi

#### Hardware Interface

- Two GbE RJ-45 LAN ports. LAN1 can be configured as Ethernet WAN port
- One RJ-11 voice port
- LEDs (from left to right on the panel)
  - Power/USB (green/blue)
  - Internet (green)
  - LTE strength (green/red/orange)
  - WiFi/WPS (green)
- One WPS & WiFi on/off button
- One 3FF micro SIM card socket
- One reset to default button
- One power on/off button
- One DC power jack
- One USB 2.0 host port

## High functionalities for versatile deployments and applications

The Zyxel LTE5388-M804 is able to operate both in bridge and router modes, which makes the device suitable for different types of scenarios and cover any type of need in deployment. In order to provide high-quality voice service, Zyxel LTE5388-M804 is capable to build in VoIP/VoLTE function, to satisfy even the most demanding subscribers.

- Two external LTE/3G antenna SMA connector

### Power Consumption

- 24 W (peak)

### Physical Specifications

- Item dimensions (WxDxH): 100 x 100 x 205 mm (3.94" x 3.94" x 8.07")
- Item weight: 599 g (1.32 lb.)
- Packing dimensions (WxDxH): 247 x 170 x 120 mm (9.72" x 6.7" x 4.73")
- Packing weight: 1600 g (3.54 lb.)

### Environmental Specifications

#### Operating Environment

- Temperature: 0°C to 40°C (32°F to 104°F)
- Humidity: 10% to 90% (non-condensing)

#### Storage Environment

- Temperature: -30°C to 70°C (-4°F to 158°F)
- Humidity: 10% to 95% (non-condensing)

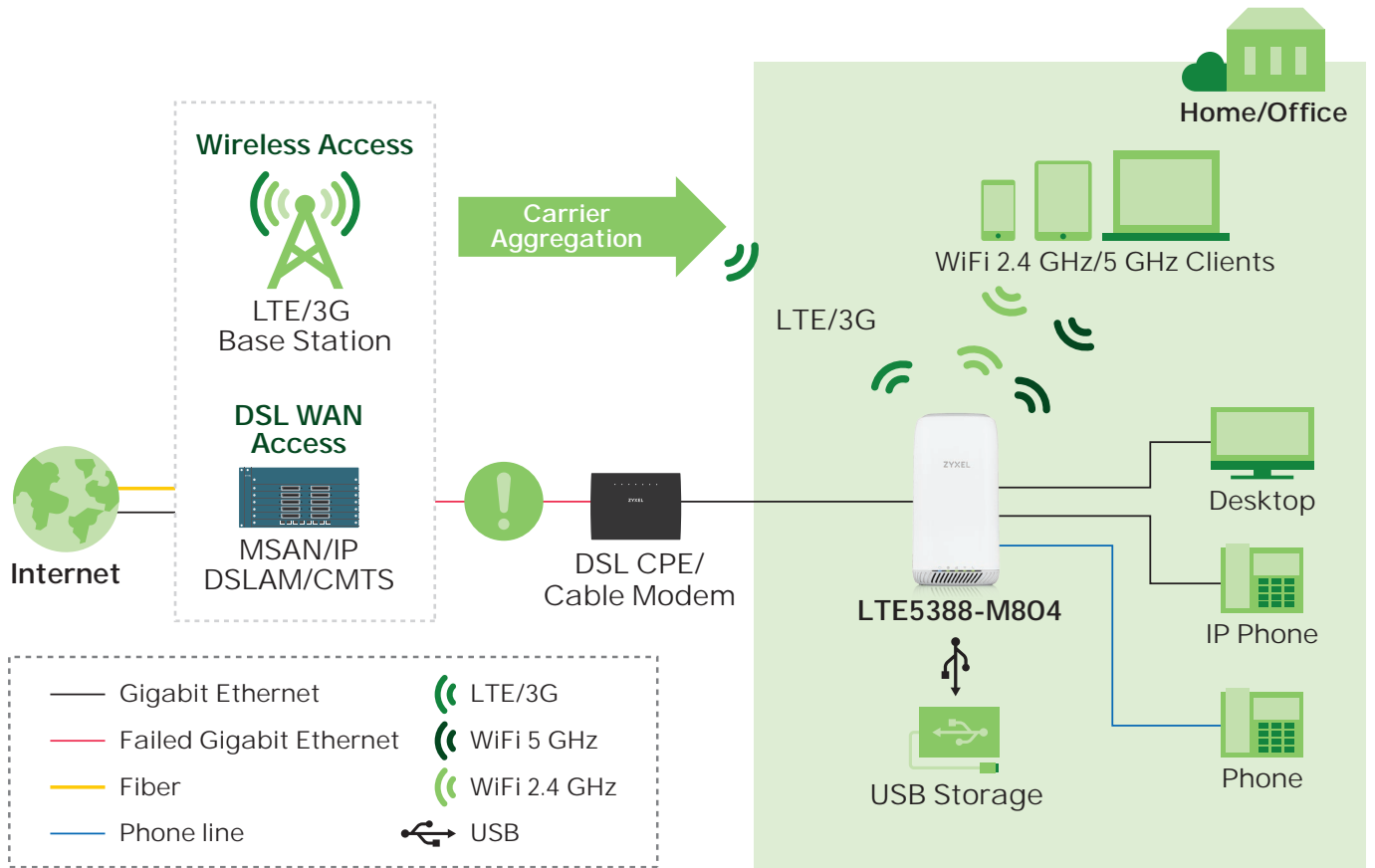
### Certification

- CE

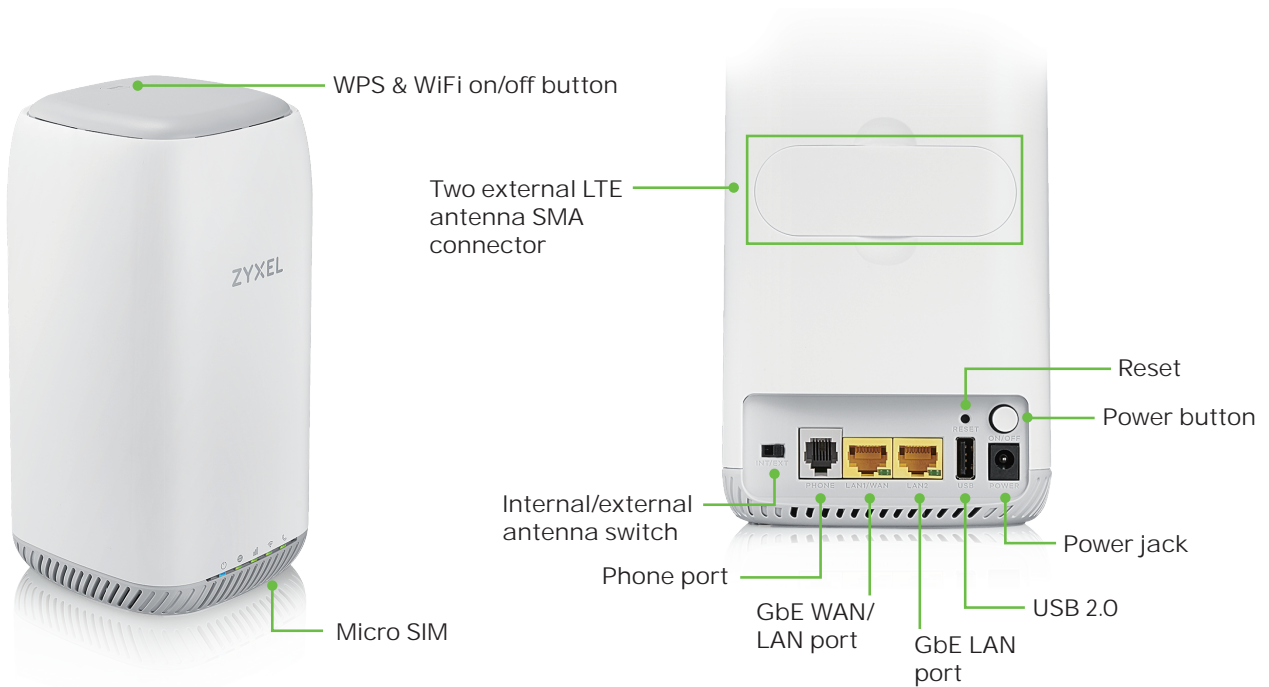
### Package Contents

- Power adapter (12 V/2 A EU/US/UK plug)
- Ethernet cable
- Quick start guide
- Warranty card
- CE DoC
- Safety warning

# Application Diagram



# Interface description



# ZYXEL

Your Networking Ally

For more product information, visit us on the web at [www.zyxel.com](http://www.zyxel.com)

Copyright © 2020 Zyxel and/or its affiliates. All rights reserved. All specifications are subject to change without notice.

Datasheet [LTE5388-M804](#)



22/01/20