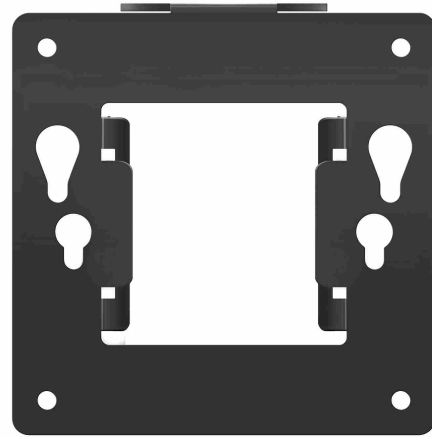


**PHILIPS**

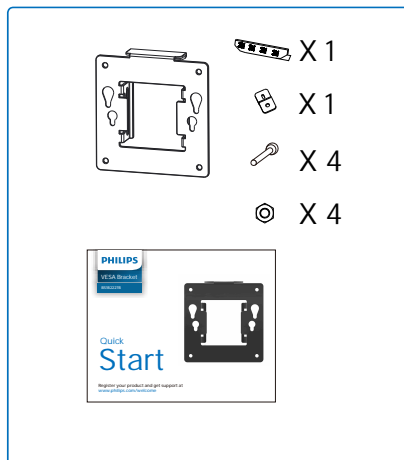
VESA Bracket

BS1B2227B



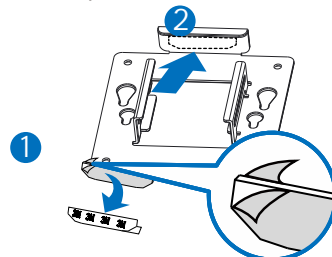
# Quick Start

Register your product and get support at [www.philips.com/welcome](http://www.philips.com/welcome)



## Option:

Paste the adhesive foam strip to the VESA bracket under the top side and attach it on the monitor stand. This is an optional step. If you don't want to stick VESA bracket to the monitor stand, go to next step.



Version: BS1B2227Q1T

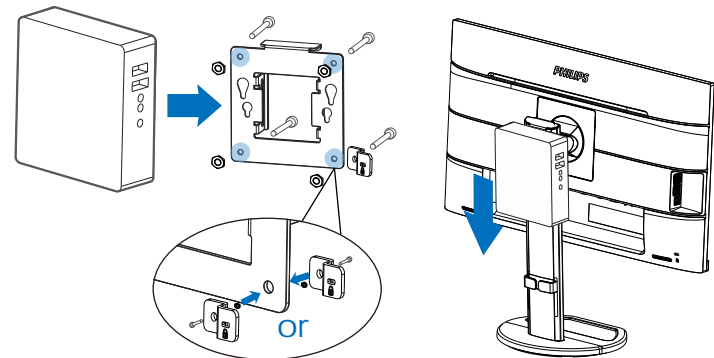


Q41G78D481336A

Compatible with Philips Height Adjustment Base of M10 B2B slim HAS (for 21.5"/23.8"/27")

## PC:

- 1 Align holes of VESA compliant device with those of bracket and screw up with the screws provided.
- 2 Slide down the bracket with mounted device into Philips Height Adjustment base.



## NUC:

- 1 Follow the arrows indicated on the the bracket, then slide the bracket on the stand until it's fixed.
- 2 Secure two screws to the rear cover of the NUC.

