

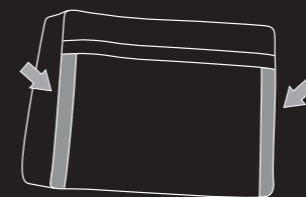
A Package Contents



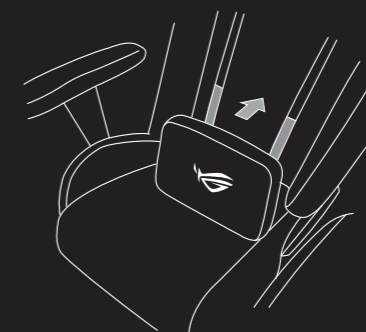
1. Backrest	5. Wheels	9. Hydraulic lift cylinder
2. Seat base	6. Side covers with bolts	10. Telescoping cover
3. Lumbar cushion	7. Control unit	11. Hex Key
4. Wheel base	8. Gloves	12. Spare bolt

NOTE: The illustrations are for reference only and may differ from your actual chair in appearance and features.

C Installing the Lumbar cushion



The chair and the Lumbar cushion are designed with Velcro fasteners. Attach the Lumbar cushion to the chair using the Velcro fasteners.



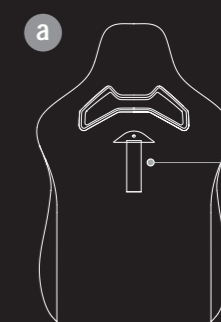
D Lighting up your chair

1. Place your power bank into the packet at the back of the chair.
2. Connect the USB Type-A connector to your power bank.

The packet is attached to your chair with Velcro. You can easily remove and take it away.



E Other features



Hanger at the back of the chair for hanging your bags, clothes, cups and more.

Maximum load: 2kg
Please do not hang items over 2kg.

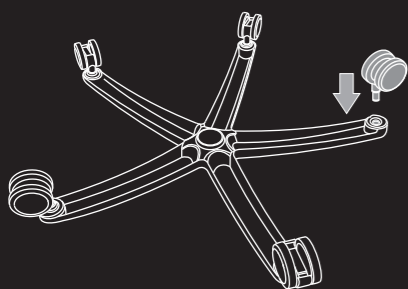
b Using the RGB controller

Rating: 5V=1A

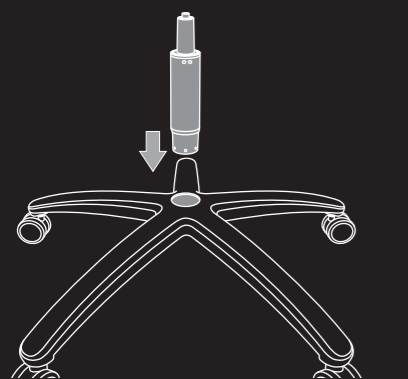


B Assembling your chair

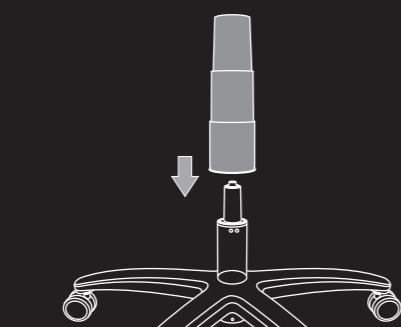
Put on the gloves before installation.



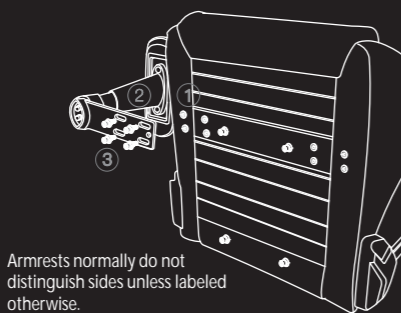
1. One by one, insert and push the wheels into the base.



2. Insert the hydraulic lift cylinder into the center hole of the base. Remove the red protective cap on top if there was any.



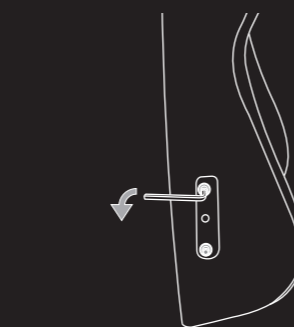
3. Place the telescoping cover on the top of the hydraulic lift cylinder.



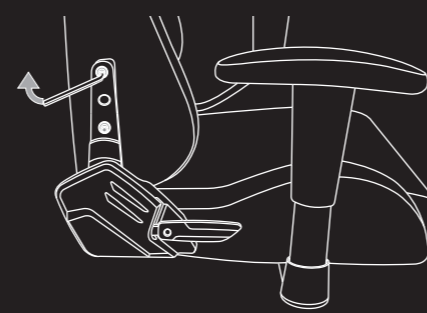
Armrests normally do not distinguish sides unless labeled otherwise.

For models with armrest pre-assembled, please skip this step.

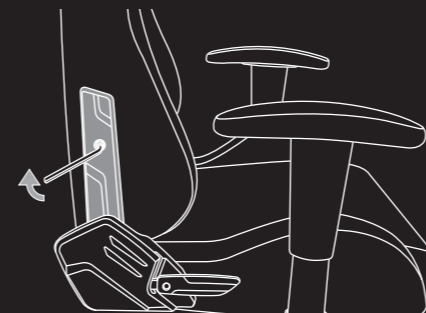
4. Remove the pre-assembled bolts and washers (1 & 3). Place the 4 large washers (1) between the armrest mounting bar (2) and the seat base. Hold the armrest in place, then insert and tighten all 4 bolts (3). Use the hex key to tighten them all, and repeat on the other side.



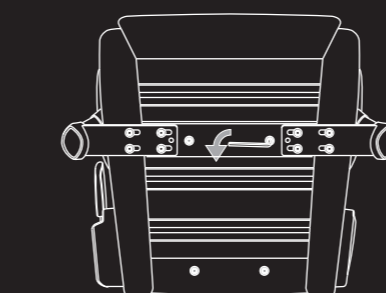
5. Use the hex key to remove the pre-assembled bolts and washers from the backrest.



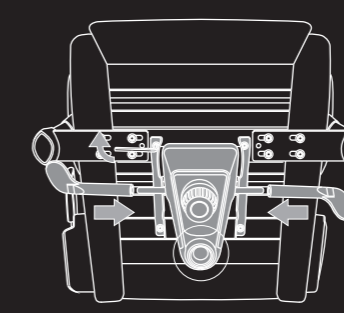
6. Remove the protective foam covers from the brackets of the seat base. Then position the backrest carefully between the brackets. Insert and attach the 4 bolts (2 on each side) you removed in step 5 by hand first. Then use the hex key to tighten them. Start with the two bolts on the top of each side, then the bottom two.



7. Install the side covers and tighten the bolts. (The covers are marked "L" for the left side and "R" for the right on the inside.)



8. Now flip the chair over, facing down. Then remove the 4 pre-mounted bolts from the underside with washers.



9. Repeat the step above to install the control unit, and then place the nut to mount the hydraulic lift cylinder facing the back of the seat (where the backrest is installed).



10. Insert top of the hydraulic lift cylinder into the mounting hole on the control unit, and then turn the chair over in upright position. (Two-person handling required for your safety)

DO NOT remove the non-detachable controller as this will void the warranty.

1. Aura RGB Lighting: On / Effect / Off

Press repeatedly to power the Aura RGB LEDs on or off, or cycle through the current 7 effects: (1) rainbow (2) breathing (3) color cycle (4) wave (5) glowing Yo-Yo (6) strobing (7) static

Press the Aura RGB Lighting button for 3 seconds to terminate the lighting.

Press it to wake up again or reconnect your powerbank will keep its previous setting.

NOTE: Your powerbank may automatically adjust its output when the lighting is terminated. Disconnect and reconnect it if the Aura RGB Lighting cannot wake up after toggling it back on.

2. Aura RGB color

Press repeatedly to cycle through the following 8 striking colors: (1) red (2) orange (3) yellow (4) green (5) blue (6) indigo (7) purple (8) pink

NOTE: This feature is only available on the following Aura RGB effects: (2) breathing (6) strobing (7) static

3. Aura RGB speed: Slow / Medium / Fast

Press repeatedly to cycle through the following 3 effect speeds: (1) Slow (2) Medium (3) Fast

NOTE: This feature is only available on the following Aura RGB effects: (1) rainbow (2) breathing (3) color cycle (4) wave (5) glowing Yo-Yo (6) strobing

4. Aura RGB brightness: 50% / 75% / 100%

Three brightness levels. The brightness can be switched by simple tap to fit the environment lighting and preference.

5. Reset to factory mode

Press the button (2) and button (4) simultaneously to reset your chair to its factory defaults.

A. Package Contents

1.	Backrest	5.	Wheels	9.	Hydraulic lift cylinder
2.	Seat base	6.	Side covers with bolts	10.	Telescoping cover
3.	Lumbar cushion	6.	Side covers with bolts	11.	Hex Key
4.	Wheel base	7.	Control unit	12.	Spare bolt

Note: The illustrations are for reference only and may differ from your actual chair in appearance and features.

B. Assembling your chair

Put on the gloves before installation.

- One by one, insert and push the wheels into the base.
- Insert the hydraulic lift cylinder into the center hole of the base. Remove the red protective cap on top if there was any.
- Place the telescoping cover on the top of the hydraulic lift cylinder.
Armrests normally do not distinguish sides unless labeled otherwise.
For models with armrest pre-assembled, please skip this step.
- Remove the pre-assembled bolts and washers (① & ③). Place the 4 large washers (①) between the armrest mounting bar (②) and the seat base. Hold the armrest in place, then insert and tighten all 4 bolts (③). Use the hex key to tighten them all, and repeat on the other side.
- Use the hex key to remove the pre-assembled bolts and washers from the backrest.
- Remove the protective foam covers from the brackets of the seat base. Then position the backrest carefully between the brackets. Insert and attach the 4 bolts (2 on each side) you removed in step 5 by hand first. Then use the hex key to tighten them. Start with the two bolts on the top of each side, then the bottom two.
- Install the side covers and tighten the bolts. (The covers are marked "L" for the left side and "R" for the right on the inside.)
- Now flip the chair over, facing down. Then remove the 4 pre-mounted bolts from the underside with washers.
- Repeat the step above to install the control unit, and then place the nut to mount the hydraulic lift cylinder facing the back of the seat (where the backrest is installed).
- Insert top of the hydraulic lift cylinder into the mounting hole on the control unit, and then turn the chair over in upright position. (Two-person handling required for your safety)

C. Installing the Lumbar cushion

The chair and the Lumbar cushion are designed with Velcro fasteners. Attach the Lumbar cushion to the chair using the Velcro fasteners.

D. Lighting up your chair

- Place your power bank into the packet at the back of the chair.
- Connect the USB Type-A connector to your power bank.

The packet is attached to your chair with Velcro. You can easily remove and take it away.

E. Other features

- Hanger at the back of the chair for hanging your bags, clothes, cups and more.
Maximum load: 2kg
Please do not hang items over 2kg.

- Using the RGB controller

Rating: 5V=1A

DO NOT remove the non-detachable controller as this will void the warranty.

- Aura RGB Lighting: On / Effect / Off

Press repeatedly to power the Aura RGB LEDs on or off, or cycle through the current 7 effects: (1) rainbow (2) breathing (3) color cycle (4) wave (5) glowing Yo-Yo (6) strobing (7) static

Press the Aura RGB Lighting button for 3 seconds to terminate the lighting.

Press it to wake up again or reconnect your powerbank will keep its previous setting.

-
- NOTE:** Your powerbank may automatically adjust its output when the lighting is terminated. Disconnect and reconnect it if the Aura RGB Lighting cannot wake up after toggling it back on.

- Aura RGB color

Press repeatedly to cycle through the following 8 striking colors: (1) red (2) orange (3) yellow (4) green (5) blue (6) indigo (7) purple (8) pink

-
- NOTE:** This feature is only available on the following Aura RGB effects: (2) breathing (6) strobing (7) static

- Aura RGB speed: Slow / Medium / Fast

Press repeatedly to cycle through the following 3 color effect speeds: (1) Slow (2) Medium (3) Fast

-
- NOTE:** This feature is only available on the following Aura RGB effects: (1) rainbow (2) breathing (3) color cycle (4) wave (5) glowing Yo-Yo (6) strobing

- Aura RGB brightness: 50% / 75% / 100%

Three brightness levels. The brightness can be switch by simple tap to fit the environment lighting and preference.

- Reset to factory mode

Press the button (2) and button (4) simultaneously to reset your chair to its factory defaults.

F. Adjustable functions

- Armrest adjustment
- Headrest adjustment
- Backrest reclining
- Chair height adjustment
- Tilt lock
- Seat rockability adjustment
- Locking caster
- Armrest adjustment
 - Height adjustment
 - Forward and backward
 - Rotation adjustment
 - Inward and outward
- Headrest adjustment
 - Height adjustment (7cm)
Please do not excessively raise your headrest.
 - Pull up the lever and slowly lean back.
 - Chair height adjustment
 - Lock/unlock the tilt mechanism
 - Seat rockability adjustment
 - Locking caster