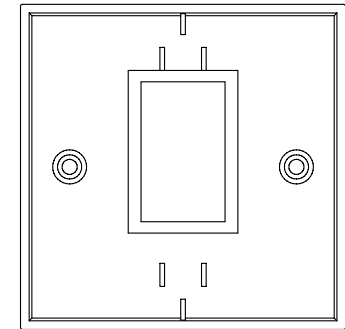
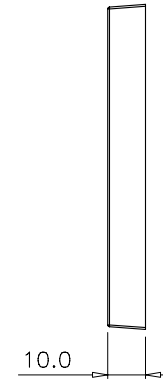
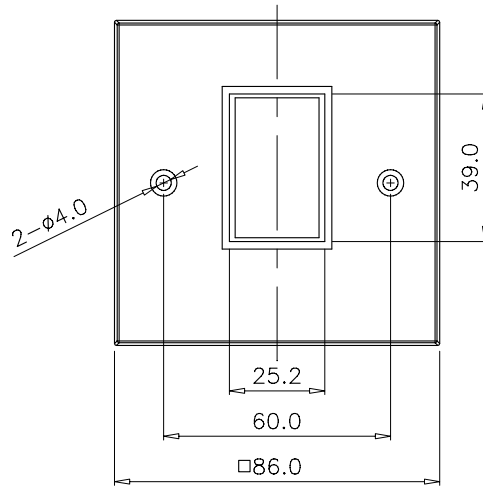


SCALE 1/2



Specification :

- Material :
1. Plate : ABS, UL 94-HB.
 2. Screw : M3.5 X L25.0 mm.

	DSGN	Wei	29.MAR.2010	ITEM NO: 72 3370
	CHK	kli	29.MAR.2010	
UNIT	M/M	APPR	Yty	E.U. 333A Modular Plate, 1 port
SCALE	1/4			
DWG NO: JE314/1	Velocity			