



# BTV914

## UNIVERSAL SOUNDBAR MOUNT

### INSTALLATION GUIDE & PARTS LIST

Ventry™  
range

This pack contains 1 pair of Soundbar brackets

PLEASE KEEP THIS FOR FUTURE REFERENCE

## INSTALLATION SAFETY INSTRUCTIONS



**CAUTION:** This mount is intended for use only with the maximum weights indicated. Use with soundbars heavier than the maximum indicated may result in instability causing possible injury.

Do not attempt to install this product until all instructions and warnings have been read and properly understood. Please keep these instructions for future reference. B-Tech International Limited, its distributors and dealers are not liable or responsible for damage or injury caused by improper installation, improper use or failure to observe these safety instructions. In such cases, all guarantees will expire.

### General

B-Tech International Ltd recommends that a professional AV installer or other suitably qualified person install this product. Great care must always be taken during installation as most AV equipment is of a fragile nature, possibly heavy and easily damaged if dropped. If you do not fully understand the instructions or are not sure how to install this product safely, then please consult a professional for advice and/or install this product for you.

Failure to mount this product correctly may cause serious injury or death both during installation and at any time thereafter. Do not mount any AV equipment that exceeds the specific weight limit of the product you are installing. This weight limit will be clearly stated on each product and its packaging and will vary from product to product.

### Product location

Please pay careful attention to where this product is located. Some areas are not suitable for installation.

If located in a public or frequently populated area ensure that the product is out of the immediate reach of people. If any AV equipment is to be suspended over the likely path or location of people then great care should be taken to secure all parts of the installation from falling.

### Fixing hardware

In some cases more AV equipment fixing hardware will be supplied to accommodate different models of equipment and set up configurations. The installer must be satisfied that any supplied fixing hardware is suitable for each specific installation.

If any fixing screws or included hardware are deemed not sufficient for a safe installation then please consult a professional or your local hardware store.

### Hazard limitation

When routing cables take advantage of any built in cable management features that the product might provide and ensure that all cables are tidy and secure. Check to see that any moving aspect of the product can do so unhindered by any cabling. Some products have moving parts and the potential to cause injury through the crushing or trapping of fingers or other body parts.

Particular attention to the nature of moving parts is required especially when assembling installing and adjusting during set up. Immediately after installations double-check that the work done is safe and secure. Double-check all necessary fixings are present and are of ample tightness.

It is recommended that periodic inspections of the product and its fixing points are made as frequently as possible to ensure that safety is maintained. In doubt consult a professional AV installer or other suitably qualified person.



## FEATURES

- Ideal solution for mounting a Soundbar Speaker to your Flat Screen TV
- Mounts Soundbar above or below the screen
- Universal mount suitable for most soundbars and flat screens
- Use with or without a Flat Screen Wall Mount
- Ideal for corner installations with an articulated mount
- Low profile steel brackets
- Max weight of Soundbar: 10kg (22lbs)
- Easy installation - All mounting hardware included

## TOOLS REQUIRED

Crosshead  
screwdriver



Level  
(optional)



### B-TECH AUDIO VIDEO MOUNTS

#### HEAD OFFICE

Bennett House, Long March, Daventry, Northants NN11 4NR, UK  
Email: [info@btechavmounts.co.uk](mailto:info@btechavmounts.co.uk)

Tel: +44 (0)1327 300787 Fax: +44 (0)1327 706562

#### BELGIUM

**B-Tech Pro-AV BVBA**

Email: [info@btechproav.com](mailto:info@btechproav.com)

#### GERMANY

**B-Tech Deutschland GmbH**

Email: [info@btechdeutschland.de](mailto:info@btechdeutschland.de)

#### SPAIN

**B-Tech International (Iberia) S.L.**

Email: [info@btechiberia.com](mailto:info@btechiberia.com)

#### CHINA

**B-Tech International (China) Ltd**

Email: [info@btechasia.com](mailto:info@btechasia.com)

#### SINGAPORE

**B-Tech AV Mounts Pte Ltd**

Email: [info@btechavmounts.com.sg](mailto:info@btechavmounts.com.sg)

#### HONG KONG

**B-Tech International (Hong Kong) Ltd**

Email: [info@btechavmounts.com.hk](mailto:info@btechavmounts.com.hk)

© 2013 B-Tech International Limited. All rights reserved. B-Tech Audio Video Mounts is a division of B-Tech International Limited. B-Tech, Better By Design & Ventry are registered trademarks of B-Tech International Limited. All other brands and product, names are trademarks of their respective owners. Photographs are for illustrative purposes only. E&OE.

IP-BTV914-V1-VT1BX-030713-03 MADE IN CHINA

#### CS

Společnost B-Tech International Ltd. doporučuje provést instalaci tohoto produktu prostřednictvím odborného instalátora AV či jinak způsobilé osoby. Společnost B-Tech International Ltd, její distributoři a prodejci nenesou odpovědnost za škody nebo zranění způsobená nevhodnou instalací. Tento výrobek je nutno umístit do vhodné konstrukce a používat jen po uvedené maximální výšce.

#### DE

B-Tech International Ltd. empfiehlt, dass dieses Produkt durch einen qualifizierten AV-Techniker oder eine andere Person mit geeigneter Qualifikation installiert wird. B-Tech International Ltd, ihre Distributoren und Händler können nicht für durch fehlerhafte Montage verursachte Beschädigung oder Verletzung haftbar bzw. verantwortlich gemacht werden. Dieses Produkt muss auf einem geeigneten Untergrund montiert werden und darf nur bis zum angegebenen Höchstgewicht verwendet werden.

#### ES

B-Tech International Ltd. recomienda que un instalador de audio y video profesional u otra persona debidamente cualificada instalen este producto. B-Tech International Ltd, sus distribuidores y concesionarios no se hacen cargo ni se responsabilizan de ningún daño o lesión provocados por una instalación inapropiada. Este producto se debe montar en una estructura adecuada y se debe utilizar soportando solamente hasta el peso máximo indicado.

#### FR

B-Tech International Ltd. recommande de confier l'installation de ce produit à un installateur AV professionnel ou à une autre personne dûment qualifiée. B-Tech International Ltd, ses distributeurs et ses revendeurs ne sauraient être tenus responsables de tout dégât ou de toute blessure résultant d'une installation incorrecte. Ce produit doit être monté sur un support approprié et utilisé dans la limite du poids maximum indiqué.

#### IT

B-Tech International Ltd. consiglia di affidare l'installazione di questo prodotto a un installatore specializzato o ad altra persona adeguatamente qualificata. B-Tech International Ltd, i suoi distributori e rivenditori non accettano alcuna responsabilità nei riguardi di eventuali danni o infortuni causati da un'errata installazione. Questo prodotto deve essere fissato a una struttura idonea e utilizzato unicamente sino al peso massimo indicato.

#### NL

B-Tech International Ltd. adviseert om dit product te laten installeren door een professionele AV-instalateur of andere hiervoor gekwalificeerde persoon. B-Tech International Ltd, haar distributeurs en dealers zijn niet aansprakelijk of verantwoordelijk voor schade of letsel die is veroorzaakt door onoordeelkundige installatie. Dit product moet worden gemonteerd aan een geschikte constructie, waarbij het aangegeven maximum gewicht niet mag worden overschreden.

#### PL

Firma B-Tech International Ltd. zaleca, aby ten produkt był instalowany przez profesjonalnych instalatorów AV lub inny odpowiednio przeszkolony personel. Firma B-Tech International Ltd, jej dystrybutorzy i dealerzy nie ponoszą odpowiedzialności za uszkodzenia lub obrażenia ciała powstałe w wyniku nieprawidłowej instalacji. Niniejszy produkt musi być zamontowany na odpowiedniej powierzchni, a podczas użytkowania nie wolno przekraczać podanego maksymalnego obciążenia.

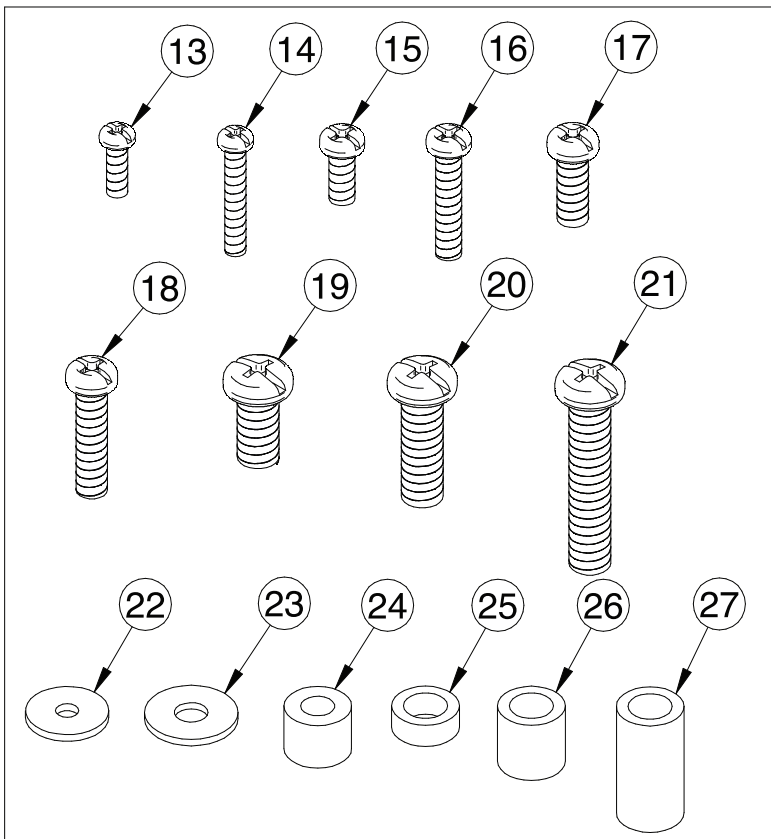
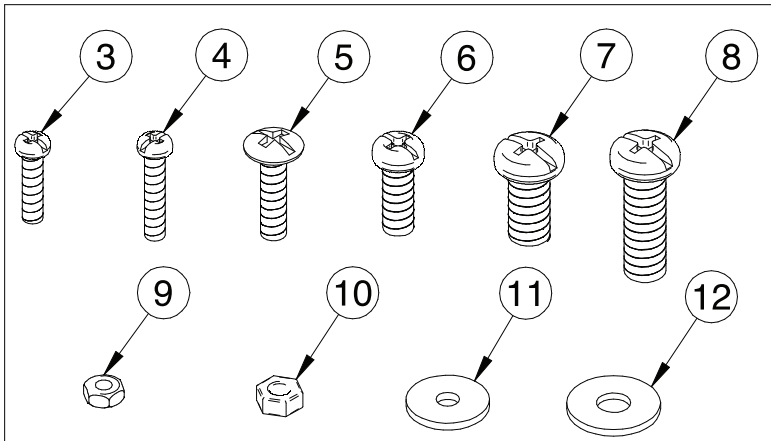
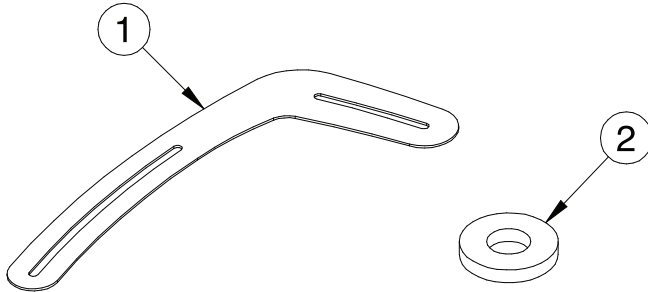
#### PT

A B-Tech International Ltd. recomenda que a instalação deste produto seja efectuada por um instalador de AV profissional ou outra pessoa devidamente habilitada. A B-Tech International Ltd. e os seus distribuidores e concessionários não são responsáveis por danos ou lesões causados por uma instalação incorrecta. Este produto tem de ser montado numa estrutura adequada e utilizado somente até ao peso máximo indicado.

#### RU

Компания B-Tech International Ltd. рекомендует, чтобы установка данного изделия производилась инженером по установке аудио-видеотехники или другим специалистом с соответствующей квалификацией. Компания B-Tech International Ltd., ее дистрибьюторы и дилеры не несут ответственности за повреждения или травмы, полученные в результате неправильной установки. Данное изделие должно крепиться к соответствующей конструкции и использоваться для поддержания оборудования, вес которого не превышает указанный максимальный вес.

PLEASE KEEP THIS PARTS LIST FOR FUTURE REFERENCE



REF	PART NAME	QTY
1	SOUNDBAR BRACKET	2
2	M8 SPACER T2.8mm	2
TO FIX A SOUNDBAR TO THE SOUNDBAR BRACKETS		
3	M4 x 16mm SCREW	2
4	M4 x 20mm SCREW	2
5	M5 x 20mm SCREW	2
6	M6 x 16mm SCREW	2
7	M8 x 16mm SCREW	2
8	M8 x 25mm SCREW	2
9	M4 NUT (FOR PART 4)	4
10	M5 NUT (FOR PART 5)	4
11	M4 WASHER (FOR PARTS 3 & 4)	4
12	M6 WASHER (FOR PART 6)	4
TO FIX THE SOUNDBAR BRACKETS TO A FLAT SCREEN ON A STAND		
13	M4 x 12mm SCREW	2
14	M4 x 25mm SCREW	2
15	M5 x 16mm SCREW	2
16	M5 x 25mm SCREW	2
17	M6 x 16mm SCREW	2
18	M6 x 25mm SCREW	2
19	M8 x 16mm SCREW	2
20	M8 x 25mm SCREW	2
21	M8 x 40mm SCREW	2
22	M4 WASHER (FOR PARTS 13 & 14)	2
23	M6 WASHER (FOR PARTS 15, 16, 17 & 18)	2
24	M6 SPACER T12mm (FOR PARTS 14, 16, 18 & 20)	2
25	M8 SPACER T5mm (FOR PART 19)	2
26	M8 SPACER T13mm (FOR PART 20)	2
27	M8 SPACER T25mm (FOR PART 21)	2

You may also use the mounting hardware provided with your wall bracket to attach your Soundbar Brackets to your mounting solution.

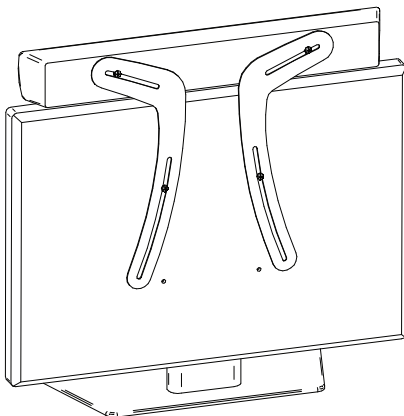
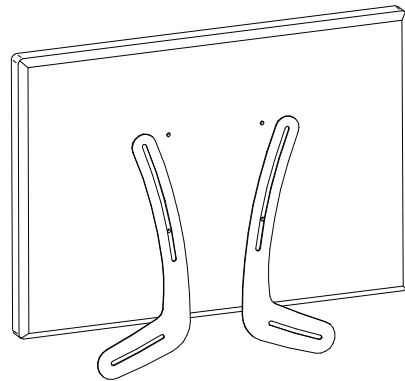
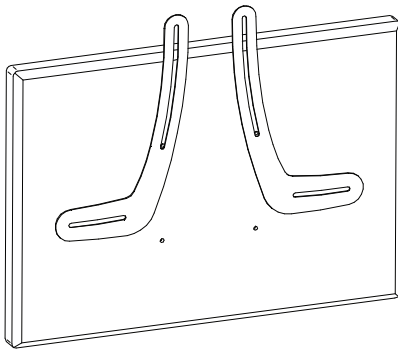
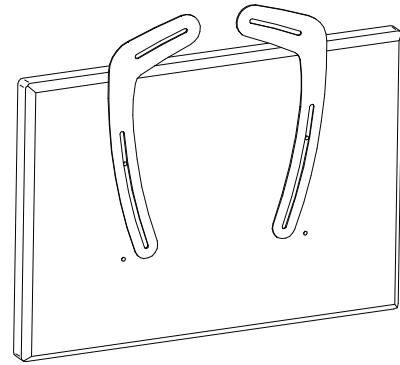
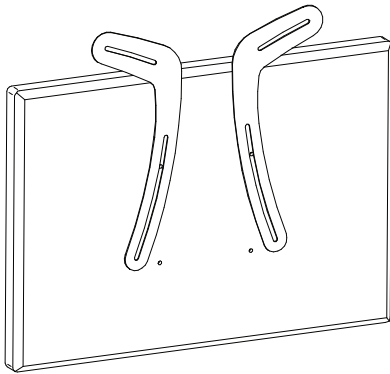
NOTE: Due to the lack of industry standard in mounting patterns on soundbars, the provided hardware may not suit your specific model. Additional soundbar hardware may be required.

Suitable for loads up to  
10Kg (22lbs)

## CONFIGURATIONS

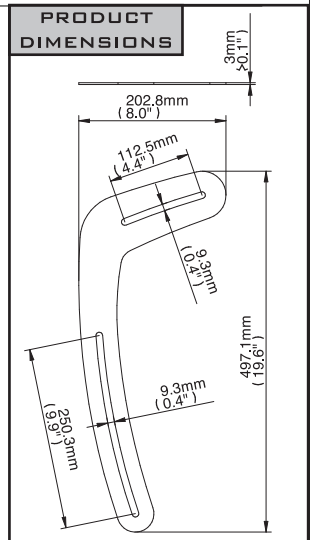
If mounting the soundbar above the flat screen TV, then use the top two fixing holes on the back of the flat screen TV. Use the bottom fixing holes if mounting the soundbar below the flat screen TV, don't use both the top and bottom fixing holes.

Below are examples of multiple configurations you can use to adapt the bracket to match your Flat Screen and Soundbar requirements. Use the configuration that works best with your equipment. Soundbar can be mounted above or below the screen in the following ways:



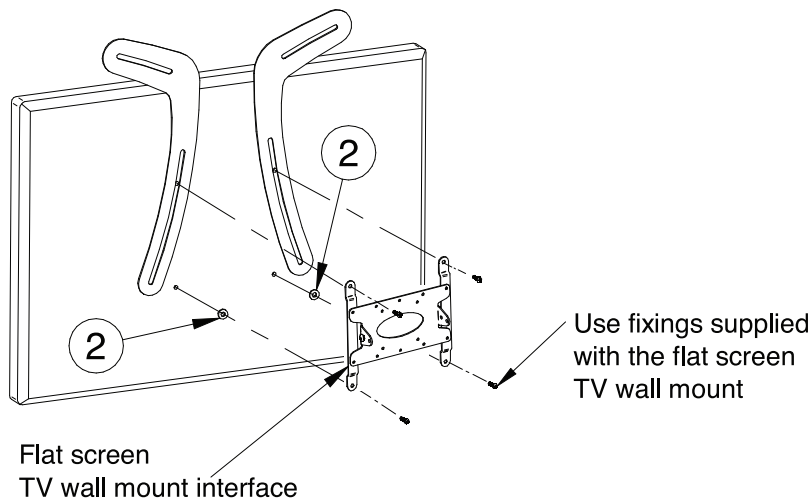
### CAUTION!:

PLEASE NOTE MOUNTING TO A TV ON ITS STAND IS A TIPPING RISK. THIS COULD CAUSE DAMAGE TO EQUIPMENT AND POSSIBLY LEAD TO PERSONAL INJURY.



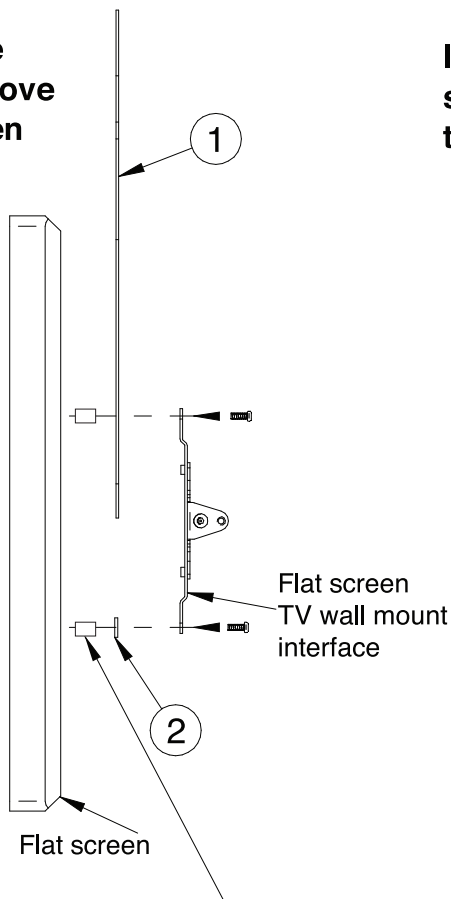
**INSTALLING SOUNDBAR BRACKETS TO A WALL MOUNTED FLAT SCREEN**

Insert the Soundbar Brackets in between the back of your flat screen and your wall mount. You will be using your wall mount panel screws to affix the Soundbar Brackets to your TV. Secure with one bolt in each bracket as demonstrated in the diagram below. Do not screw all the way as final adjustments may be necessary.

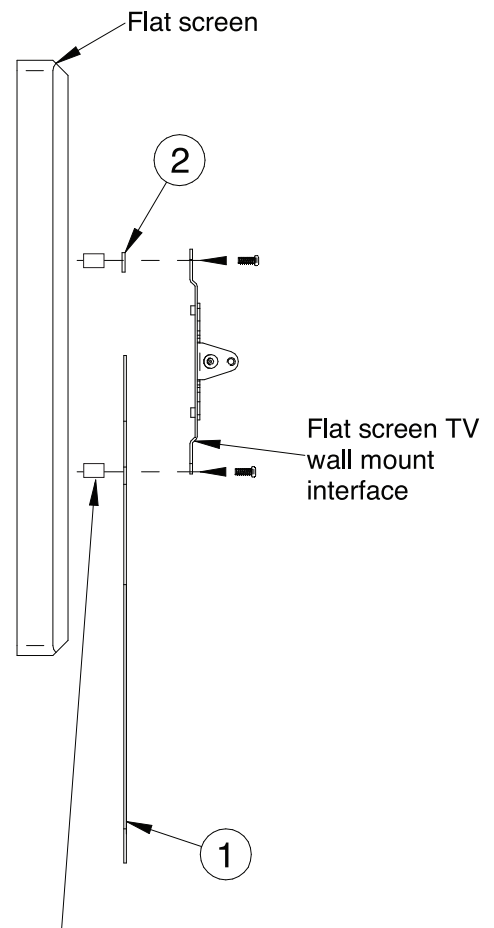


Don't tighten screws too much when fixing the soundbar brackets as adjustments will be needed.

**Installing the soundbar above the flat screen**

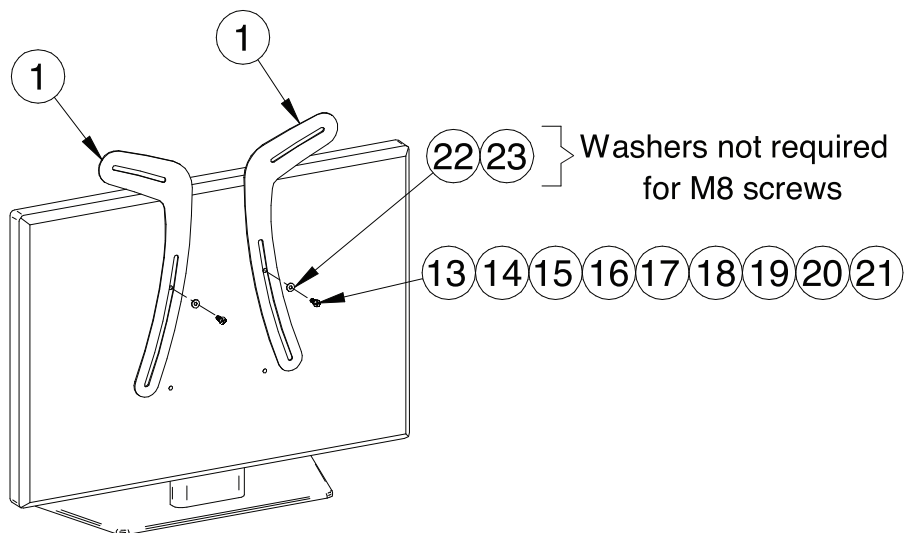
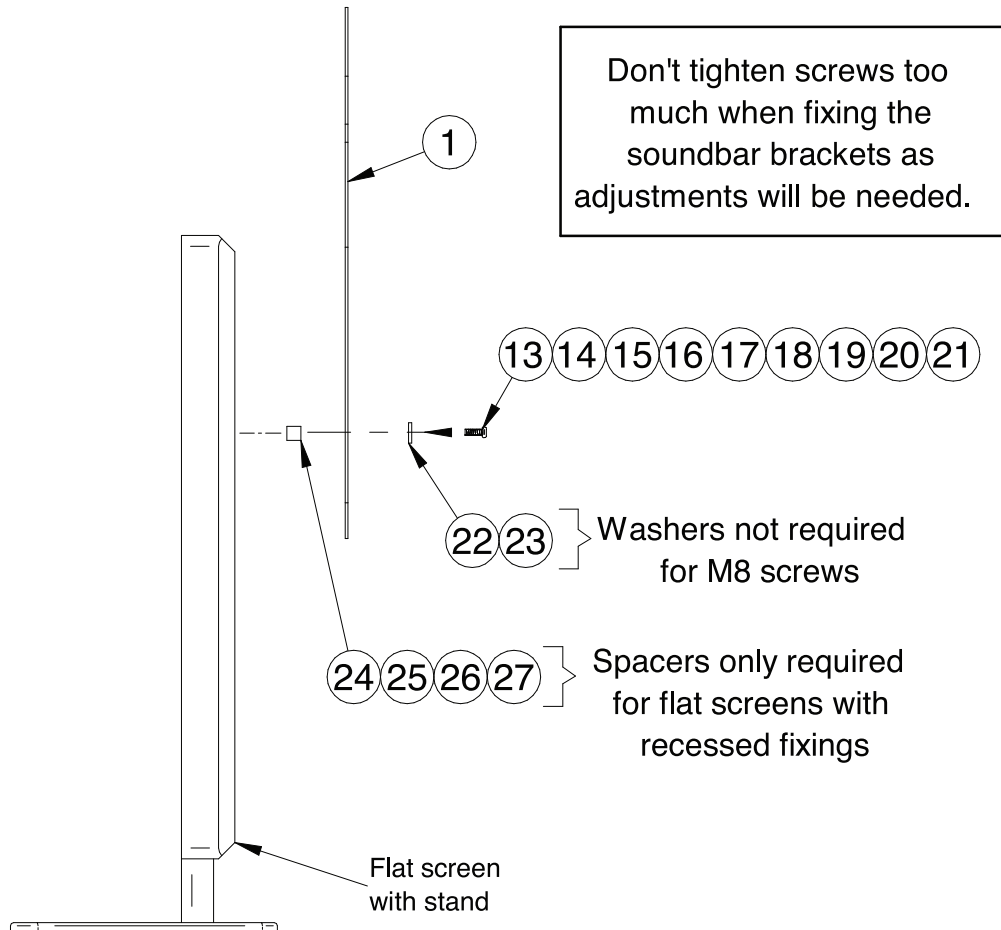


**Installing the soundbar below the flat screen**



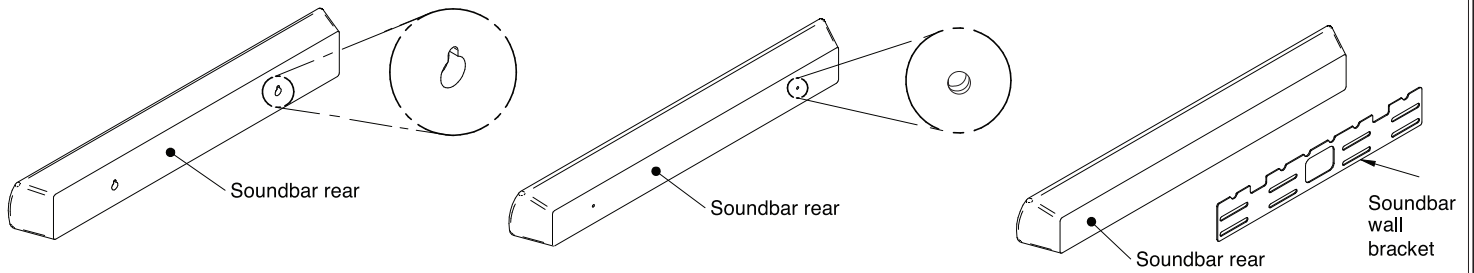
*Spacers may be required for flat screens with recessed fixings*

**INSTALLING SOUNDBAR BRACKETS TO A FLAT SCREEN ON ITS STAND**



There are three ways to mount your Soundbar to the Soundbar Brackets, depending on the mounting specifications of your Soundbar

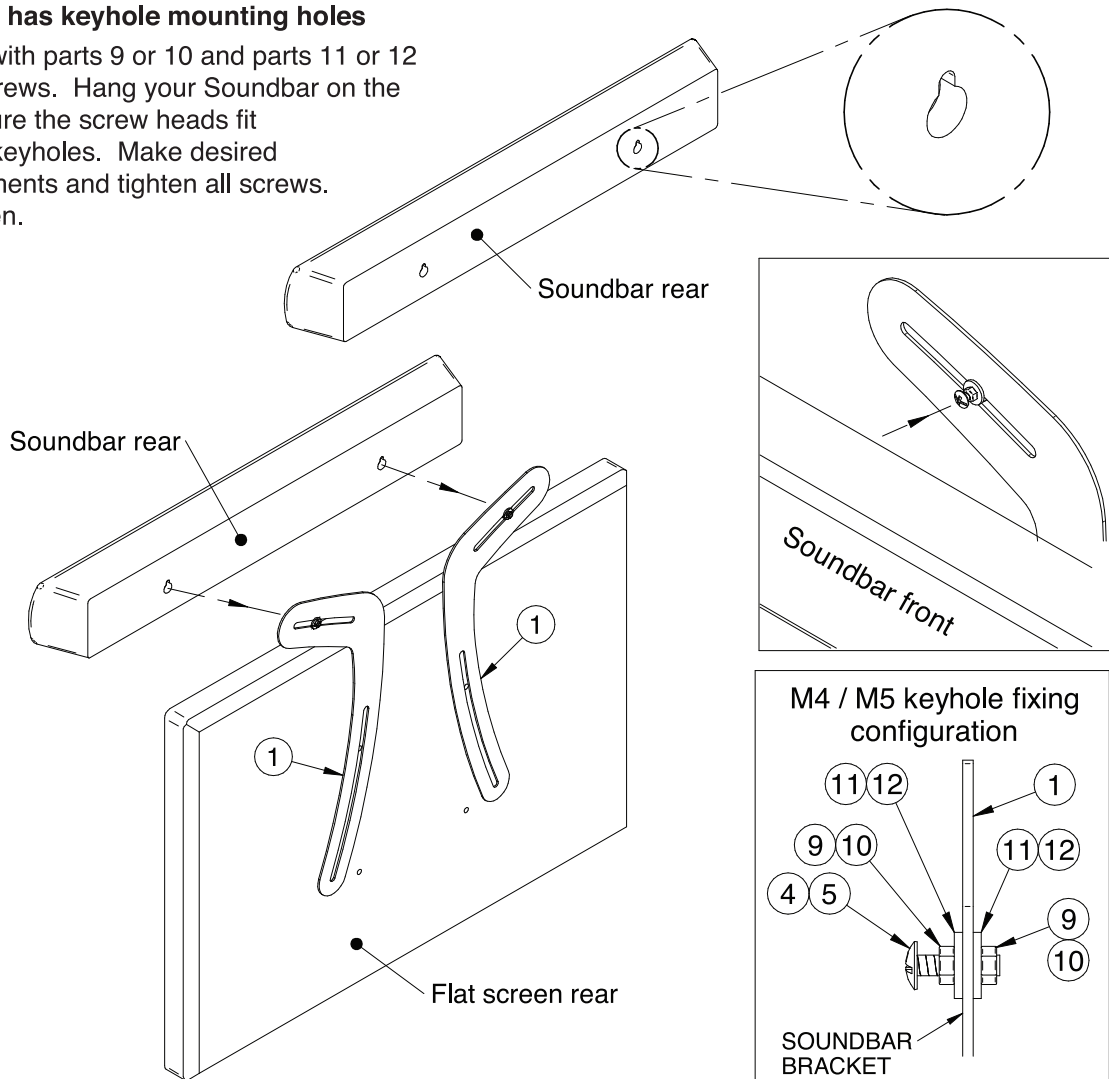
- (A)** KEYHOLE FIXINGS  
IN SOUNDBAR
- (B)** THREADED MOUNTING  
HOLES IN SOUNDBAR
- (C)** FIXING TO THE SOUNDBAR  
WALL BRACKET



## (A) KEYHOLE FIXINGS IN SOUNDBAR

### If your soundbar has keyhole mounting holes

Use parts 4 or 5 with parts 9 or 10 and parts 11 or 12 and attach the screws. Hang your Soundbar on the screws making sure the screw heads fit properly into the keyholes. Make desired alignment adjustments and tighten all screws. Do not over tighten.

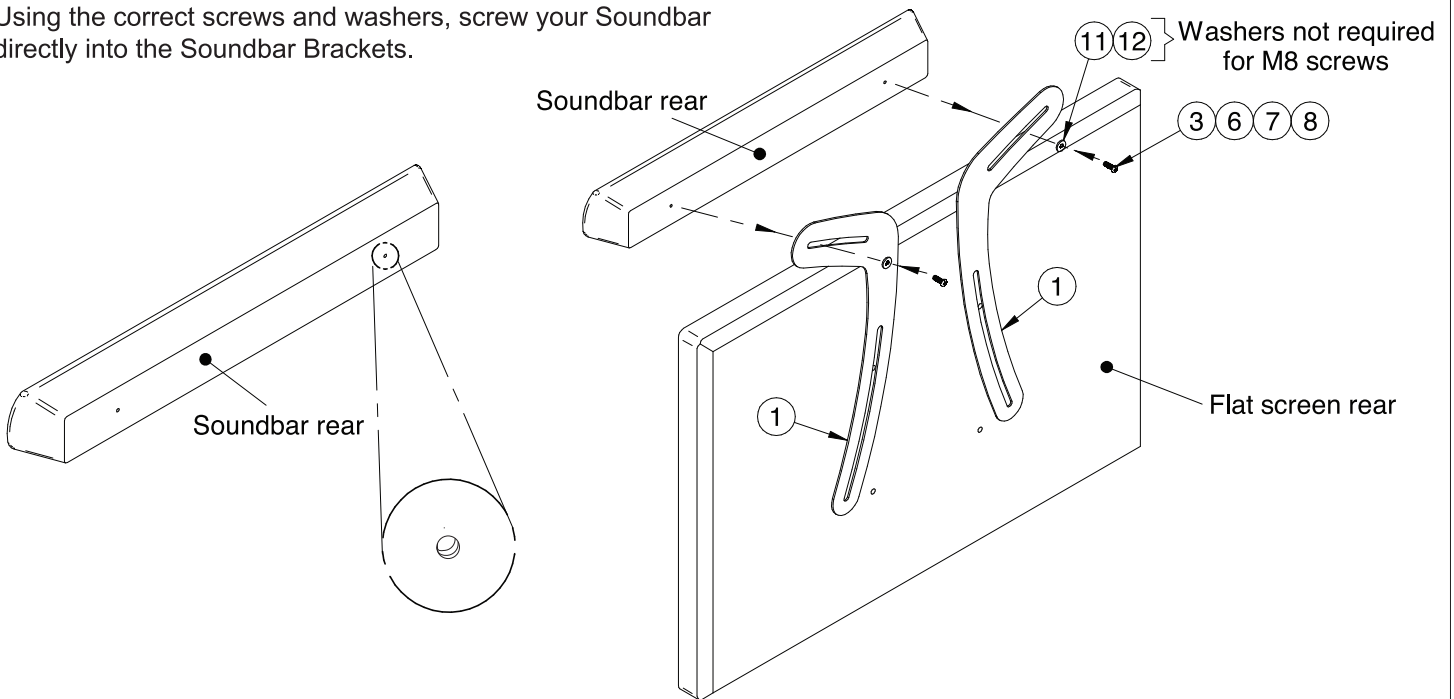




**B**

**THREADED MOUNTING HOLES IN SOUNDBAR**

**If the back of your Soundbar has threaded mounting holes**  
Using the correct screws and washers, screw your Soundbar directly into the Soundbar Brackets.



**C**

**FIXING TO THE SOUNDBAR WALL BRACKET**

**If your Soundbar is already affixed to a Soundbar Wall Bracket**  
Using the correct screws and washers, attach your Soundbar's wall bracket to the Soundbar Brackets.

