



BTV511

UNIVERSAL FLAT SCREEN WALL MOUNT WITH TILT

5 FIXED TILT POSITIONS



Designed to mount large sized screens the BTV511 is ideal for home installations. With 5 fixed tilt positions up to +15° available, this mount also features a simple 'hook-on' installation and post installation screen alignment making screen mounting as quick and simple as possible. The BTV511 includes a security locking bar to help prevent unauthorised removal of the screen. All fixings and mounting hardware included.

SPECIFICATION

Recommended screen size	up to 55"
Max load	50kg
VESA® & non-VESA fixings	up to 425 x 400
Tilt	+15°
Distance from wall	Flat: 44mm / Full Tilt: 153mm
Colour	Black

FEATURES

- 5 fixed tilt positions up to +15°
- Mounts screen only 44mm from wall when flat
- Post installation screen alignment for perfect screen positioning
- Security locking bar to prevent unauthorised screen removal
- Suitable for concrete, brick or stud walls up to 16"
- Simple 'hook-on' installation
- All mounting hardware included
- Available in Black



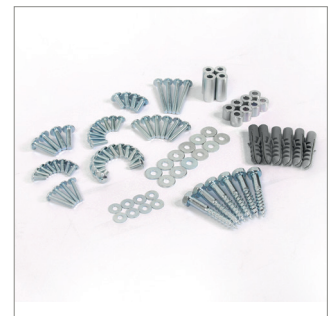
5 fixed tilt positions



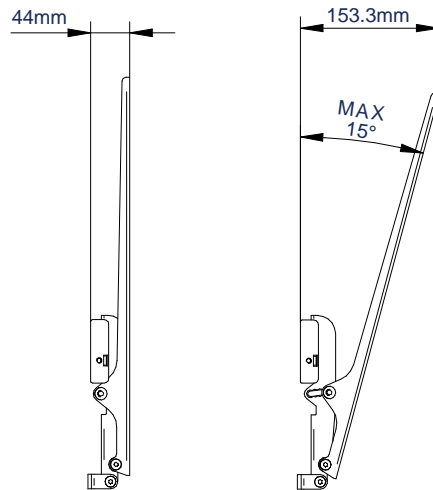
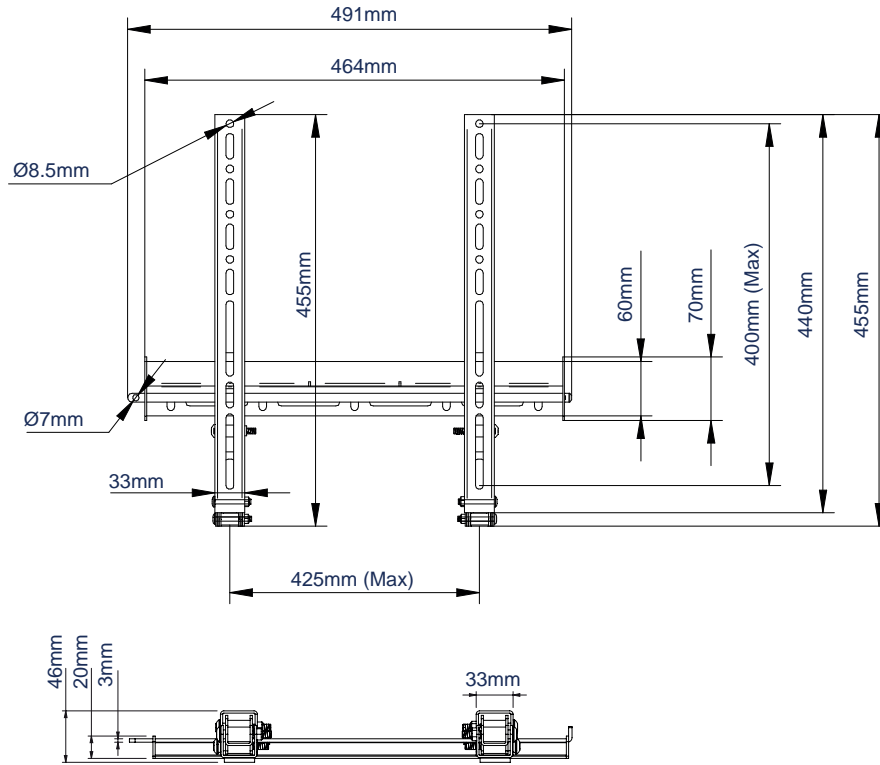
Locking bar for secure installation (padlock not included)



Supplied in retail packaging, ideal for the consumer market



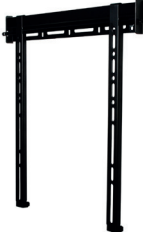


All fixings and mounting hardware included



PACKING INFORMATION

COLOUR:	ORDER REF:	EAN CODE:	MASTER CARTON QTY:	INNER CARTON QTY:	MASTER CARTON WEIGHT:	MASTER CARTON CUBE:
Black	BTV511/B	5019318440090	6	N/A	15.63kg	0.037cbm

RELATED PRODUCTS

<p>BTV510</p> 	<p>BT8431</p> 	<p>BTV521</p> 	<p>BTV514</p> 
--	--	---	--

Extra-Large Flat Screen Wall Mount for screens up to 55"

Flat Screen Wall Mount with Tilt for screens up to 55"

Universal Flat Screen Wall Mount with Tilt for screens up to 65"

Double Arm Flat Screen Wall Mount with Tilt & Swivel for screens up to 60"

© 2015 B-Tech Mounts Ltd. All rights reserved. No responsibility is accepted for any damage caused by improper or negligent installation or use. The information provided is for informational purposes only and does not constitute an offer or a recommendation. B-Tech Mounts Ltd. is not responsible for any damage caused by improper or negligent installation or use. Any reproduction or modification of any part of this document without the written permission of B-Tech Mounts Ltd. is strictly prohibited.