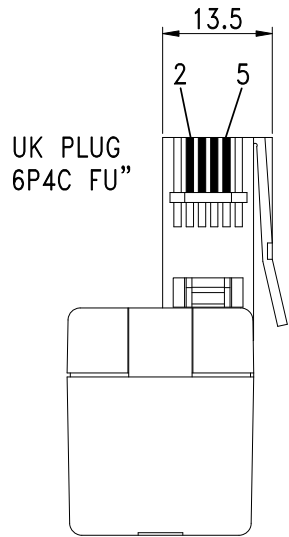
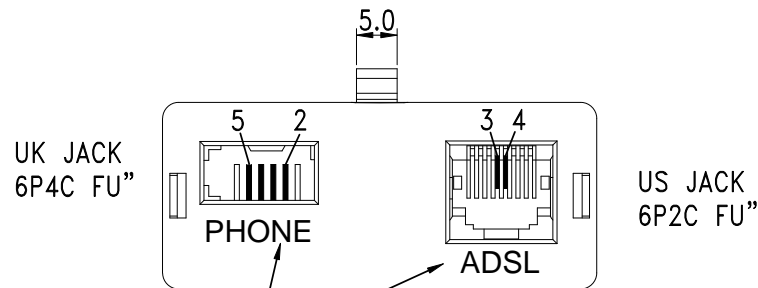
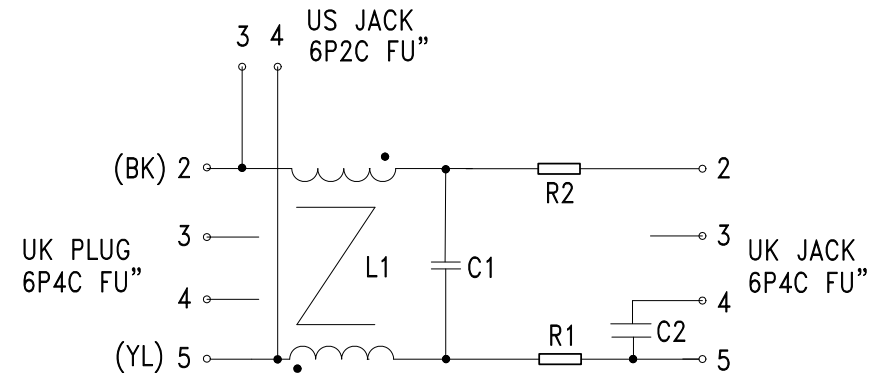
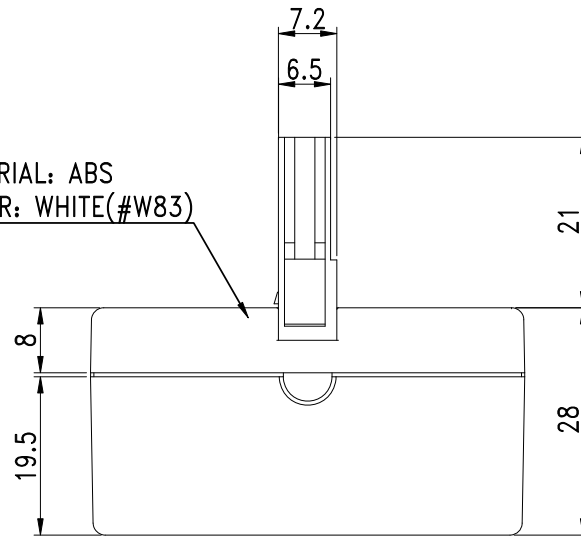


	ISSUE	REVISED	DRAWN	DATE
①	B	REVISED P/N	LIAO	'17.07.20
②				
③				



MATERIAL: ABS
COLOR: WHITE(#W83)



BLACK PRINTING

4	R1 R2	36Ω±1% 1/4w
3	C2	1.8UF±20%/250V
2	C1	473J/250V
1	L1	2*3.8mH±5%
NO.	Reference	Description

① P/N:22-2909



DESCRIPTION : UK43-GJ11-ADSL-UK

SCALE	N/A	DATE	15.06.25	CHECKED		ISSUE: B	SHEET 1 OF 1	TOLERANCES UNLESS OTHERWISE STATED
SIZE	A4	DRAWN	LIAO	APPROVED				
UNIT	mm	AFFIRM		STANDARDIZE				
CUSTOMER:						DWG No.		X. = ± 1 .X = ± 0.5 .XX = ± 0.2