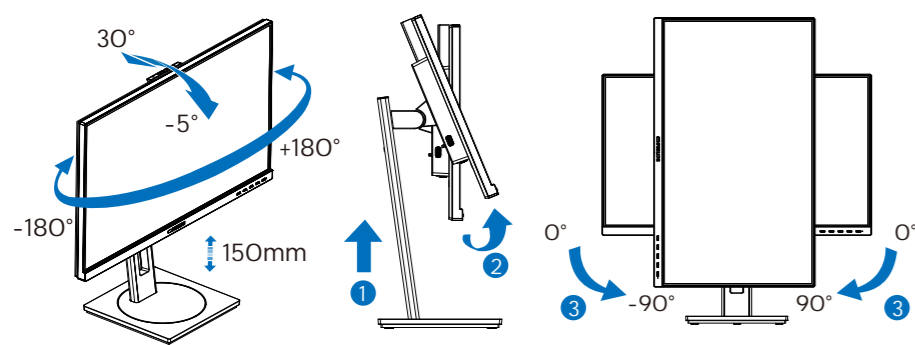
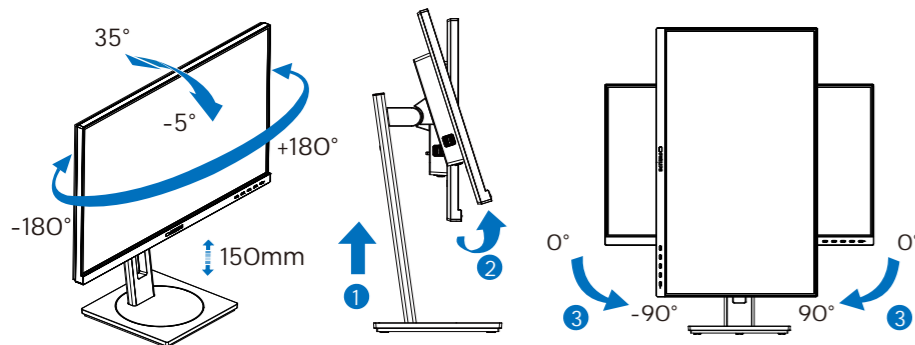


4

242B1H



242B1



Register your product and get support at www.philips.com/support



Version: MIO242BQ1T
2021 © TOP Victory Investments Ltd. All rights reserved.

This product has been manufactured by and is sold under the responsibility of Top Victory Investments Ltd., and Top Victory Investments Ltd. is the warrantor in relation to this product. Philips and the Philips Shield Emblem are registered trademarks of Koninklijke Philips N.V. and are used under license.

Specifications are subject to change without notice.

HDMI

The terms HDMI, HDMI High-Definition Multimedia Interface, and the HDMI Logo are trademarks or registered trademarks of HDMI Licensing Administrator, Inc.

www.philips.com

Energy Labelling

242B1 242B1H



Printed in China



H41G78S281336D

PHILIPS

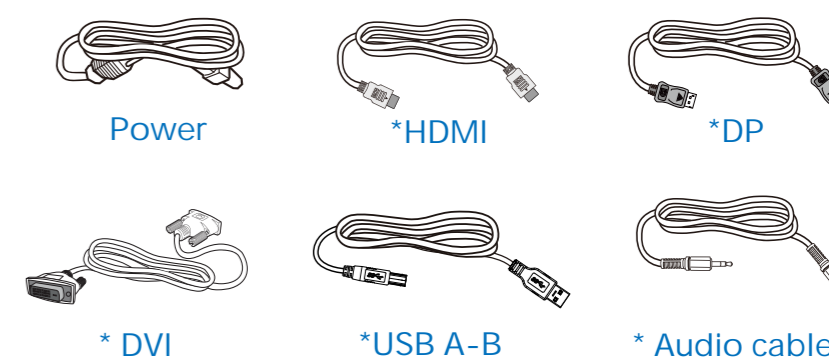
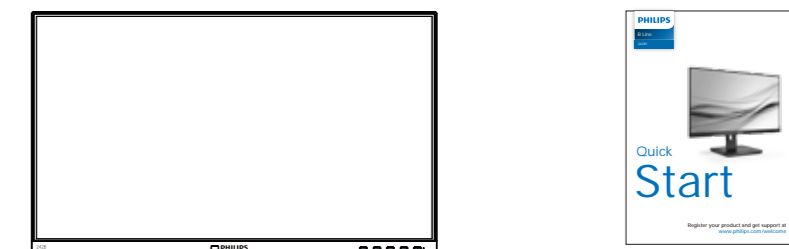
B Line

242B1



Quick Start

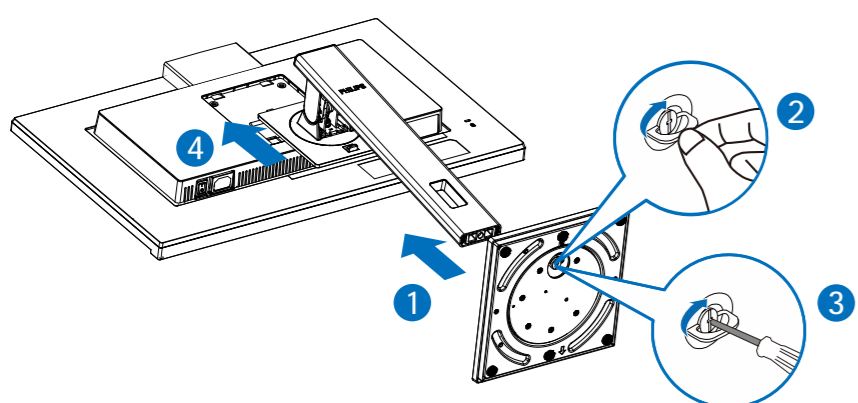
Register your product and get support at www.philips.com/welcome



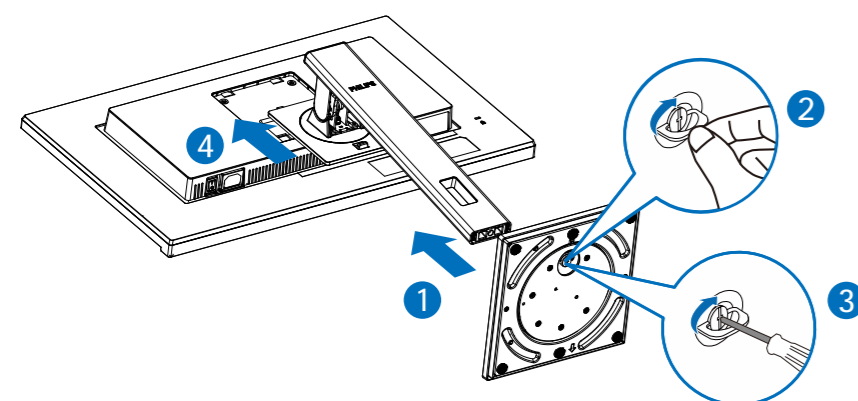
*Different according to region
Display design may differ from that illustrated

1

242B1H

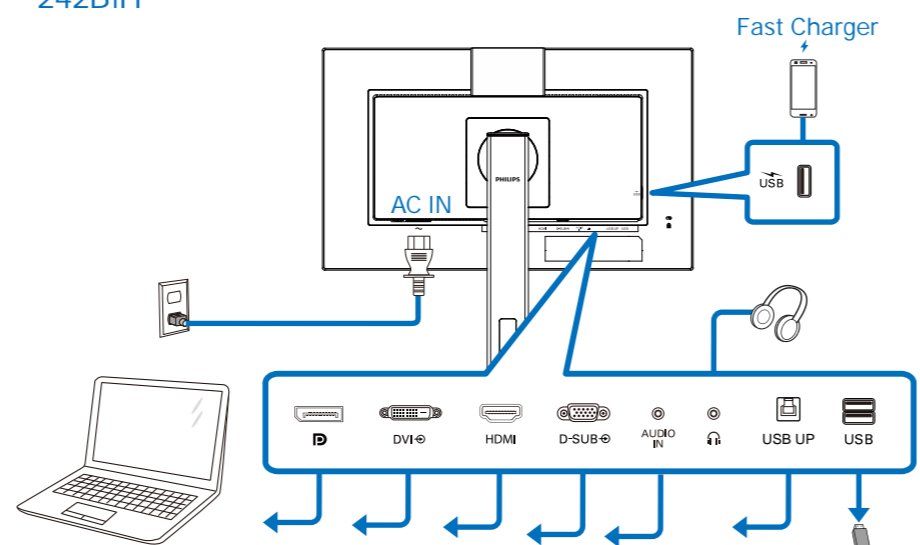


242B1

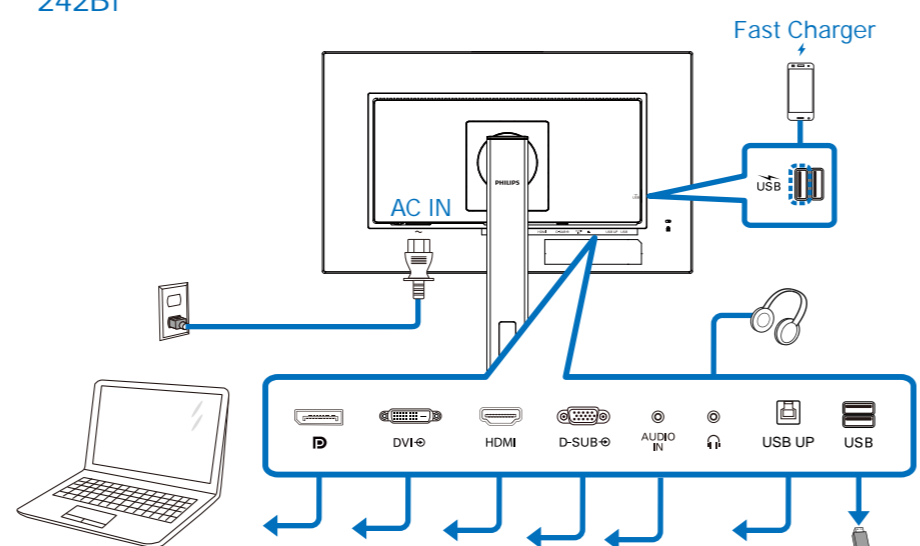


2

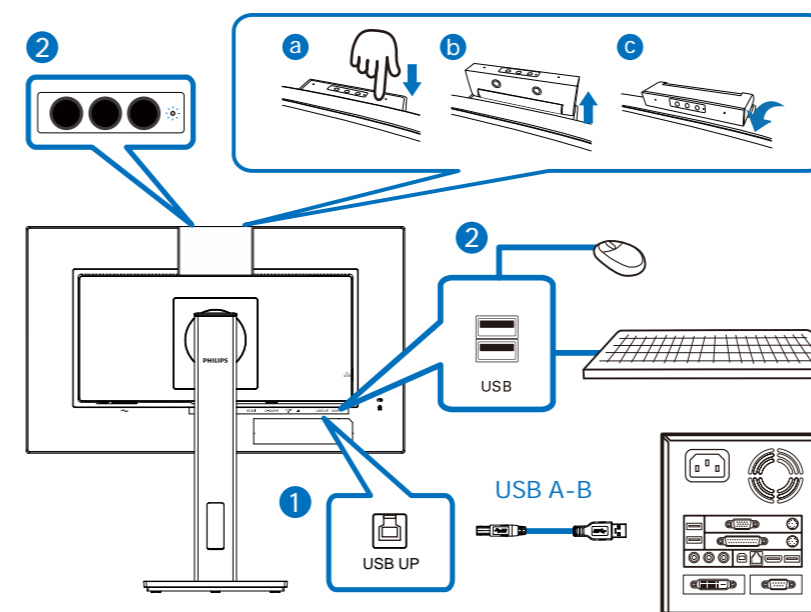
242B1H



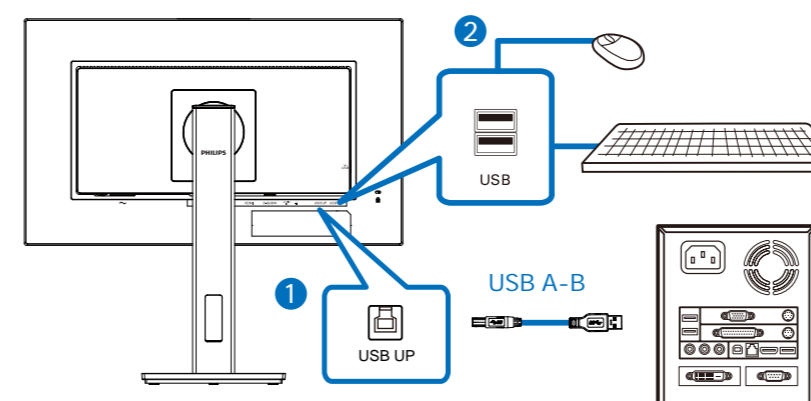
242B1



242B1H



242B1



3

