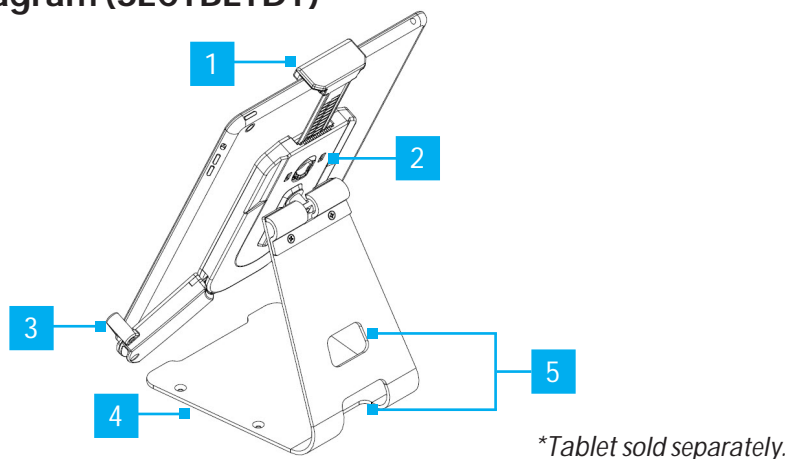


Secure Articulating Universal Tablet Mount

Product Diagram (SECTBLTDT)

Rear View



Component	Function
1 Tablet Holder	<ul style="list-style-type: none"> Holds a single Tablet Allows for 360° of rotation
2 Lock Slot x 2	<ul style="list-style-type: none"> Deters theft Insert (up to) two K-Slot Style Laptop Locks (one included, one sold separately)
3 Tablet Holder Arm	<ul style="list-style-type: none"> Part of the Tablet Holder Three points of contact with the Tablet Integrated Spacers to prevent Tablet scratches (Optional) Spacers can be inserted into the Tablet Holder Arms for thin Tablets
4 Tablet Stand	<ul style="list-style-type: none"> Holds the Tablet Holder Allows for 180° of tilt
5 Cable Management Holes	<ul style="list-style-type: none"> Route the Tablet Charging Cable and K-Slot Style Laptop Lock Cables through the Tablet Stand

Requirements

For the latest requirements, please visit:
www.startech.com/SECTBLTDT

- Tablet
 - Size: 7.9 - 13 Inch (200.66 - 330.2 mm)
 - Thickness (Maximum): 0.374 Inches (9.5 mm)

- (Optional -- for mounting) Electric Drill
- (Optional -- for mounting) Writing Utensil (i.e. Pencil, Pen, etc.)
- Phillips Head Screwdriver

Installation

Configure the Tablet Holder

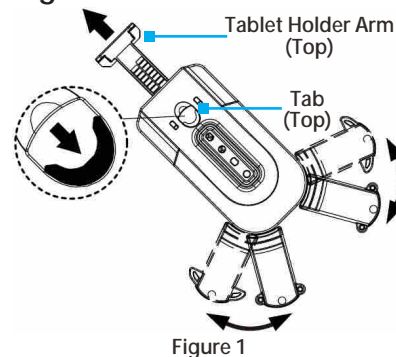


Figure 1

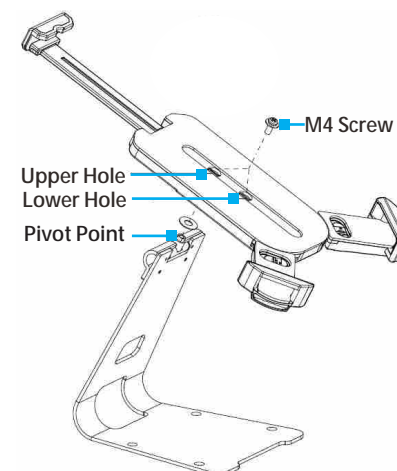


Figure 2

For Tablet 7.9~10"

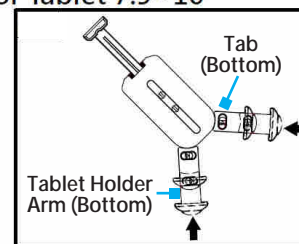


Figure 3

For Tablet 10.1~13"

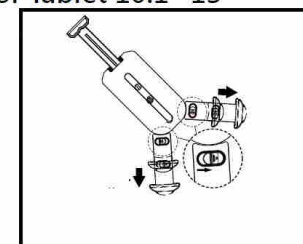


Figure 4

- Pull and hold the top **Tab** and extend the top **Tablet Holder Arm** until it reaches its full length. (Figure 1)
- Fold out the two lower **Tablet Holder Arms**.
- (Optional -- for thin **Tablets**) Peel and stick the three **Spacers** over the existing **Screen Protection Pads** located within the tips of all three **Tablet Holder Arms**.

Install the Tablet Holder

- While the **Tablet Holder Arm (Top)** is fully extended, align the hole in the **Tablet Holder** with the **Pivot Point** on the **Tablet Stand**. Continue to hold the **Tablet Holder**. (Figure 2)

For **Tablet** sizes of 7.9 - 10 Inches (200.66 - 254 mm), use the **Lower Hole**.

--Or--

For **Tablet** sizes of 10.1 - 13 Inches (256.54 - 330.2 mm), use the **Upper Hole**.

2. Insert the **M4 Screw** through the **Tablet Holder**, the **Washer**, and into the **Pivot Point** on the **Tablet Stand**.
3. Tighten the **M4 Screw**, using a **Phillips Head Screwdriver**.
4. For **Tablet** sizes of 7.9 - 10 Inches (200.66 - 254 mm), slide and hold the **Tab** on one of the bottom **Tablet Holder Arms** while pushing the **Tablet Holder Arm** inwards to collapse the **Tablet Holder Arm**, then release the **Tab**. (Figure 3)

--Or--

For **Tablet** sizes of 10.1 - 13 Inches (256.54 - 330.2 mm), slide and hold the **Tab** on one of the bottom **Tablet Holder Arms** while pulling the **Tablet Holder Arm** outwards to extend the **Tablet Holder Arm**, then release the **Tab**. (Figure 4)

5. Repeat step 7 for the second bottom **Tablet Holder Arm**.

Insert the Tablet into the Tablet Holder

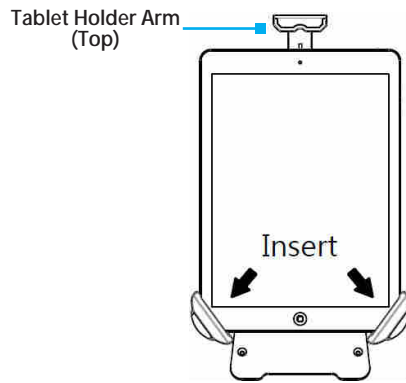


Figure 5

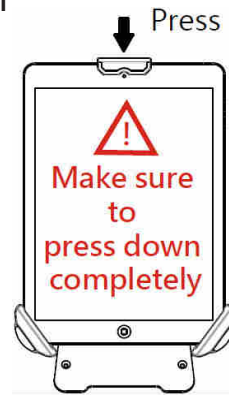


Figure 6

1. Insert the **Tablet** into the **Tablet Holder Arms**, bottom-end first. (Figure 5)
2. Press the top **Tablet Holder Arm** down until it is seated against the top of the **Tablet**. (Figure 6)

Secure the Tablet and Mount

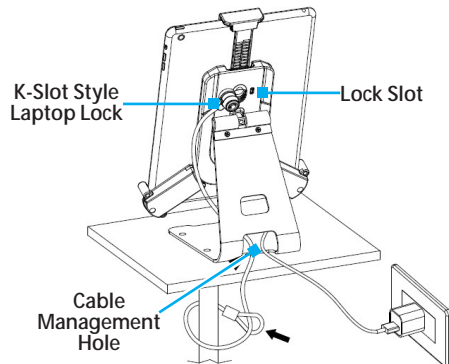


Figure 7

1. Wrap the looped end of the **K-Slot Style Laptop Lock** around the **Mounting Point** (e.g. table leg, fixed desk mounting point, etc.) and feed the lock head of the **K-Slot Style Laptop Lock** through the looped end. (Figure 7)

2. Route the **K-Slot Style Laptop Lock Cable** through one of the **Cable Management Holes** in the rear of the **Tablet Stand**.
3. Insert the **K-Slot Style Laptop Lock** into one of the **Lock Slots** in the rear of the **Secure Articulating Universal Tablet Mount**.
4. (Optional -- for **Mounting Surfaces** made of wood) Place the **Tablet Mount Assembly** onto the desired **Mounting Surface** and mark the location of the four **Screw Holes** in the **Tablet Stand** with a **Writing Utensil**.
5. Remove the **Tablet Mount Assembly** and drill four 2.5 mm **Pilot Holes** into the marked locations on the **Mounting Surface**, using an **Electric Drill**.
6. Place the **Tablet Mount Assembly** back onto the desired **Mounting Surface** and align the four **Holes** in the **Tablet Stand** with the four **Pilot Holes** in the **Mounting Surface**.
7. Insert the four **3x12 mm Screws** through the **Tablet Stand** and into the **Tablet Surface**.
8. Tighten the **3x12 mm Screws**, using a **Phillips Head Screwdriver**.

Operation

Note: Ensure the **Cables** are not tangled before completing all adjustments.

Adjust the Tilt

Place one hand on the top edge of the **Tablet** and the other hand on the bottom edge of the **Tablet**. Apply light pressure to tilt the **Tablet** either upwards or downwards. (Figure 8)

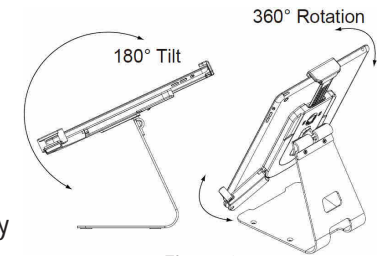


Figure 8

Adjust the Rotation

- Place one hand on the left side of the **Tablet** and the other hand on the right side of the **Tablet**. Apply light pressure to rotate the **Tablet** into a portrait or landscape view.

Warning Statements

Make sure that you assemble this product according to the instructions. This product is intended for indoor use only and should not be used outdoors. Pinch hazard! Ensure fingers are not placed along any of the moving parts when making adjustments.

Use of Trademarks, Registered Trademarks, and other Protected Names and Symbols

This manual may make reference to trademarks, registered trademarks, and other protected names and/or symbols of third-party companies not related in any way to StarTech.com. Where they occur these references are for illustrative purposes only and do not represent an endorsement of a product or service by StarTech.com, or an endorsement of the product(s) to which this manual applies by the third-party company in question. StarTech.com hereby acknowledges that all trademarks, registered trademarks, service marks, and other protected names and/or symbols contained in this manual and related documents are the property of their respective holders. PHILLIPS® is a registered trademark of the Phillips Screw Company in the United States and other countries.

Warranty Information

This product is backed by a two-year warranty.

For further information on product warranty terms and conditions, please refer to www.startech.com/warranty.

Limitation of Liability

In no event shall the liability of StarTech.com Ltd. and StarTech.com USA LLP (or their officers, directors, employees or agents) for any damages (whether direct or indirect, special, punitive, incidental, consequential, or otherwise), loss of profits, loss of business, or any pecuniary loss, arising out of or related to the use of the product exceed the actual price paid for the product. Some states do not allow the exclusion or limitation of incidental or consequential damages. If such laws apply, the limitations or exclusions contained in this statement may not apply to you.

StarTech.com Ltd. 45 Artisans Cres London, Ontario N5V 5E9 Canada	StarTech.com LLP 4490 South Hamilton Unit B, Pinnacle 15 Road Groveport, Ohio 43125 U.S.A.	StarTech.com Ltd. 4490 South Hamilton Unit B, Pinnacle 15 Gowerton Rd, Brackmills Northampton NN4 7BW United Kingdom	FR: fr.startech.com DE: de.startech.com ES: es.startech.com NL: nl.startech.com IT: it.startech.com JP: jp.startech.com
--	--	---	--