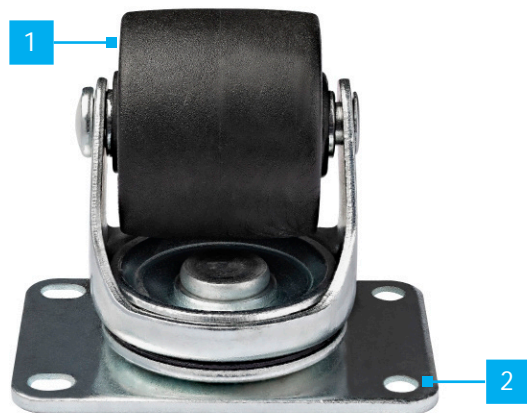


## Set of Four 45x75 mm M6 Casters

### Product Diagram (RKCASTER2)



Component	Function
1 Casters x 4	<ul style="list-style-type: none"> <li>Roll a <b>Rack or Enclosure</b> from location to location.</li> <li><b>Maximum Weight Capacity</b> stationary = 250 kg rolling = 75 kg.</li> </ul>
2 Mounting Holes x 4	<ul style="list-style-type: none"> <li>Securely mount the <b>Casters</b> to a <b>Rack or Enclosure</b>.</li> </ul>

### Package Contents

- Casters x 4
  - M6 Screws x 16 + (\*2)
  - Washers x 16 + (\*2)
  - M6 Nuts x 16 + (\*2)
- (\* Spare Parts)

### Requirements

For the latest requirements, please visit [www.startech.com/RKCASTER2](http://www.startech.com/RKCASTER2)

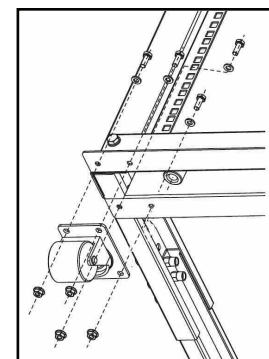
- 10 mm Wrench x 2
- Rack or Enclosure w/ Caster Holes

## Installing the Casters

### Racks or Enclosures with Caster Mounting Holes

**Note:** The **Rack or Enclosure** must feature four sets of four **Caster Mounting Holes**.

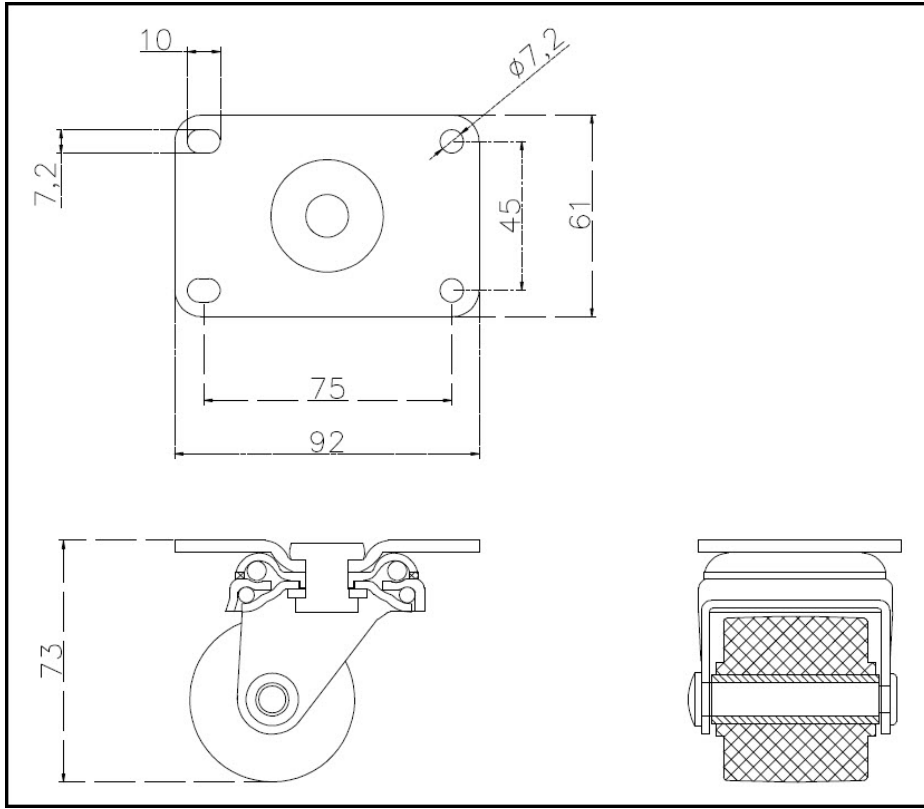
1. Ensure the **Rack or Enclosure** is positioned on its side.
  - Note:** Two people are required for repositioning the **Rack or Enclosure**.
2. Align the **Mounting Holes** on the **Casters** with the **Caster Mounting Holes** on the bottom of the **Rack or Enclosure**.
3. Insert the **M6 Screws** (x 4) through the **Flat Washers** (x 4).
4. Insert the four **M6 Screw and Flat Washer Combinations** through the **Caster Mounting Holes**, the **Rack or Enclosure** and into the **M6 Nut**.



Installing the Casters

5. While securing the **M6 Nut** in place with a **10 mm Wrench**, use a second **10 mm Wrench** to tighten the **M6 Screw**.
6. Repeat step 5 to secure the other three **M6 Screws**.
  - Note:** If the **Rack or Enclosure** has **Leveling Feet**, adjust the **Leveling Feet** after the **Casters** have been installed. Ensure the **Rack or Enclosure** is level. Please refer to the **Rack or Enclosure's** user manual for instructions on how to adjust the **Leveling Feet**.
7. Repeat steps 2-6 to install the three remaining **Casters**.

# Product Dimensions



## Warning Statements

- Do not exceed the weight capacity of this product. Overloading this product might result in injury or property damage. This product can support the following weight: Stationary = 551 lb. (250 kg) Rolling = 165 lb. (75 kg).

## Varningar

- Överskrid inte produktens vikt kapacitet. Överbelastning av denna produkt kan leda till skador eller skador på egendom. Denna produkt kan stödja följande vikt: stationär: 250 kg rullande: 75 kg.

## Avertissements

- Ne dépassez pas la capacité pondérale de ce produit. Une surcharge de ce produit peut entraîner des dommages corporels ou matériels. Ce produit peut supporter le poids suivant, stationnaire = 250 kg, roulant = 75 kg.

## Warnhinweise

- Überschreiten Sie nicht die Tragfähigkeit dieses Produkts. Das Überladen dieses Produkts kann zu Verletzungen oder Sachschäden führen. Dieses Produkt kann das folgende Gewicht tragen: Stationär = 250 kg, rollend = 75 kg.

## Dichiarazioni di avvertenza

- Non superare la capacità di carico massimo di questo prodotto onde evitare danni o lesioni alla proprietà. Questo prodotto è in grado di supportare il peso riportato, Statico = 250 kg, Dinamico = 75 kg.

## Mensagens de aviso

- Não exceda a capacidade de peso deste produto. Sobrecarregar este produto pode resultar em ferimentos ou danos à propriedade. Este produto pode suportar o seguinte peso: estacionário: 250 kg. Rolando: 75 kg.

## Advertencias de uso

- No exceda la capacidad de carga de este producto. El sobrecargarlo puede ocasionar lesiones y daños en propiedad. Este producto puede soportar el siguiente peso, Estacionario = 250 kg Rodante = 75 kg.

## Waarschuwingen

- Overschrijd de maximale capaciteit van dit product niet. Overbelasting De maximale gewichtscapaciteit mag niet overschreden worden. Overbelasting kan kan letsel of schade tot gevolg hebben. Dit product kan het volgende gewicht ondersteunen, stationair = 250 kg. rollend = 75 kg.

## 注意

- 本製品で定められた可搬重量を超えないようにして下さい。規定された重量を超えた場合、怪我や物的損害が発生することがあります。本製品は次の可搬重量に対応しています。[キャスター静止時] = 250 kg、[キャスター動作時] = 75 kg

## Use of Trademarks, Registered Trademarks, and other Protected Names and Symbols

This manual may make reference to trademarks, registered trademarks, and other protected names and/or symbols of third-party companies not related in any way to StarTech.com. Where they occur these references are for illustrative purposes only and do not represent an endorsement of a product or service by StarTech.com, or an endorsement of the product(s) to which this manual applies by the third-party company in question. StarTech.com hereby acknowledges that all trademarks, registered trademarks, service marks, and other protected names and/or symbols contained in this manual and related documents are the property of their respective holders.

## Warranty Information

This product is backed by a three-year warranty.

For further information on product warranty terms and conditions, please refer to [www.startech.com/warranty](http://www.startech.com/warranty).

## Limitation of Liability

In no event shall the liability of StarTech.com Ltd. and StarTech.com USA LLP (or their officers, directors, employees or agents) for any damages (whether direct or indirect, special, punitive, incidental, consequential, or otherwise), loss of profits, loss of business, or any pecuniary loss, arising out of or related to the use of the product exceed the actual price paid for the product. Some states do not allow the exclusion or limitation of incidental or consequential damages. If such laws apply, the limitations or exclusions contained in this statement may not apply to you.

## StarTech.com Ltd.

45 Artisans Cres  
London, Ontario  
N5V 5E9  
Canada

## StarTech.com LLP

4490 South Hamilton  
Road  
Groveport, Ohio  
43125  
U.S.A.

## StarTech.com Ltd.

Unit B, Pinnacle 15  
Gowerton Rd,  
Brackmills  
Northampton  
NN4 7BW  
United Kingdom

FR: [startech.com/fr](http://startech.com/fr)  
DE: [startech.com/de](http://startech.com/de)  
ES: [startech.com/es](http://startech.com/es)  
NL: [startech.com/nl](http://startech.com/nl)  
IT: [startech.com/it](http://startech.com/it)  
JP: [startech.com/jp](http://startech.com/jp)