

QUICK START GUIDE

GUIDE DE DÉMARRAGE RAPIDE

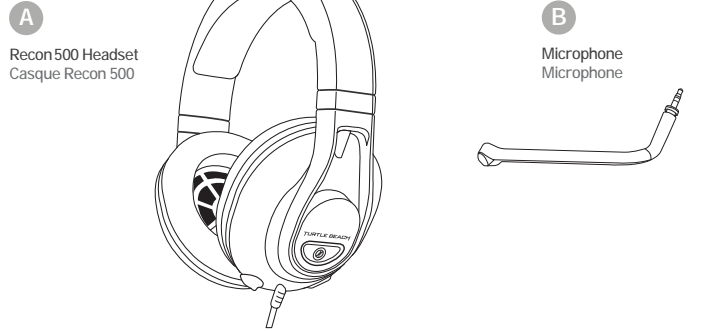


IMPORTANT READ BEFORE USING

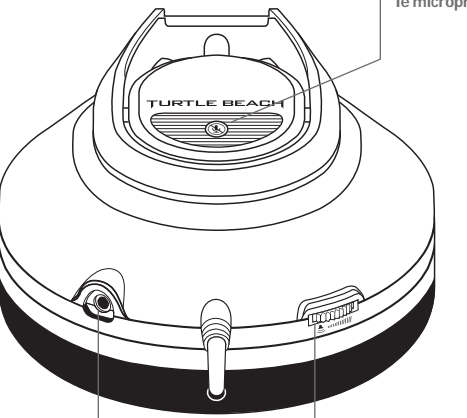
À LIRE LIRE AVANT UTILISATION

Any questions? Des questions?
turtlebeach.com/support
Model: Recon 500

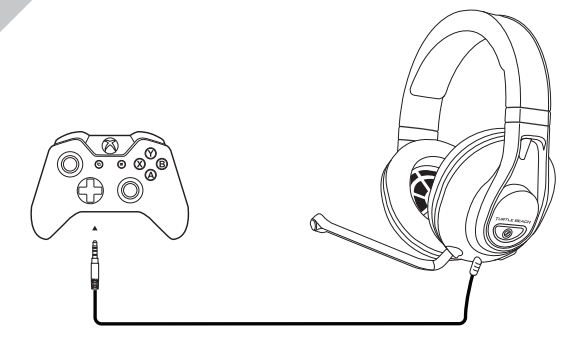
CONTENTS CONTENU DE LA BOÎTE



HEADSET CONTROLS COMMANDES SUR CASQUE



SETUP FOR XBOX CONFIGURATION POUR XBOX



Note/ Remarque :

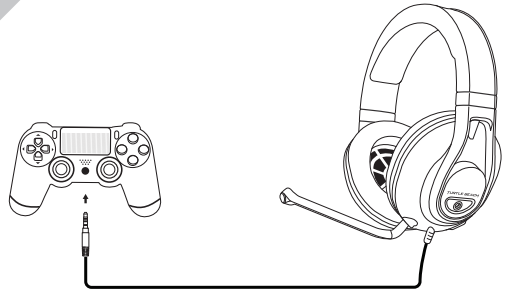
The Recon 500 requires the Xbox One Controller with 3.5mm headset jack. Purchase the Ear Force Headset Audio Controller from turtlebeach.com for use with the original Xbox One Controller.

Le casque Recon 500 nécessite la manette Xbox One avec 3.5mm casque jack. Pour toute utilisation avec la manette Xbox One d'origine, l'adaptateur audio pour casque Ear Force est nécessaire. Disponible sur turtlebeach.com.

VOLUME SETUP | CONFIGURATION DU VOLUME

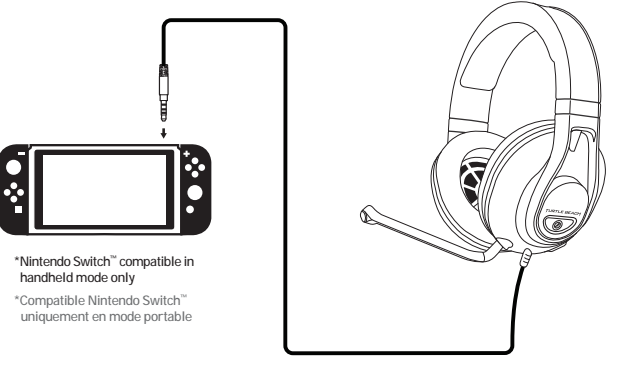
- EN**
1. Press the Xbox Button on your controller.
 2. Press Right Trigger or scroll to the buttons at the bottom of the Xbox tab and select the Speaker button. (🔊)
 3. Set Headset Volume to maximum.
 4. Set Headset Chat Mixer to the middle setting.
 5. Set Mic Monitoring to your preferred level.
- This option is not always visible (before the Audio option would only appear if you had a headset connected to your controller), but if no headset is connected the options will all be grayed out.
- ES**
1. Pulsa el botón Xbox en tu mando.
 2. Pulsa el gatillo derecho o desliza hasta llegar a los botones del final de la pestaña Xbox y selecciona el botón del altavoz. (🔊)
 3. Ajusta el volumen de los auriculares al máximo.
 4. Ajusta el mezclador de chat de los auriculares a la mitad.
 5. Ajusta el monitor del micrófono al nivel deseado.
- Esta opción no siempre es visible. Antes, la opción Sonido solo aparecía si los auriculares estaban conectados al mando, pero si los auriculares no están conectados, las opciones no estarán disponibles.
- IT**
1. Premi il pulsante Xbox sul controller.
 2. Premi il pulsante dorsale destro oppure scorri in basso fino a trovare il pulsante nella scheda Xbox e seleziona il pulsante Altoparlante. (🔊)
 3. Imposta il volume delle cuffie al massimo.
 4. Imposta il mixer della chat delle cuffie a metà livello.
 5. Imposta il controllo microfono al livello che preferisci.
- Questa opzione non è sempre visibile (prima l'opzione Audio appariva solo se le cuffie erano collegate al controller). Se le cuffie non sono collegate, le opzioni non saranno selezionabili.
- PT**
1. Prima o Botão Xbox no comando
 2. Prima o Aclionador direito ou desliza para os botões no fundo do separador Xbox e seleciona o botão Auscultadores (🔊)
 3. Configura o Volume dos auscultadores para o máximo
 4. Coloca a Barra de mistura dos auscultadores no centro
 5. Configura a monitorização do microfone no teu nível preferido
- Esta opção não está sempre visível (antes a opção de áudio apenas aparecia se tivesses uns auscultadores ligados ao teu comando), mas se não houver auscultadores ligados as opções aparecerão em cinzento.
- DK**
1. Tryk på Xbox-knappen på handkontrollen.
 2. Tryk på højre aftrykker eller gå længst ned i Xbox-fliken og tryk på højtalarknappen. (🔊)
 3. Stil i headsetvolumen på max.
 4. Stil i chatmixeren på midtstillingen.
 5. Stil i den mikrofonnivå du vill ha.
- Det har alternativet syns inte alltid (tidigare duk ljudalternativet bara upp om du hade kopplat ett headset till din handkontroll), men om inget headset är anslutet är inga alternativ tillgängliga.
- NL**
1. Druk op de Xbox-knop op je controller.
 2. Druk op de rechter-trigger of scroll naar de knoppen aan de onderkant van het Xbox-tabblad en selecteer de knop Luidspreker. (🔊)
 3. Stel Headsetvolume in op de maximale waarde.
 4. Stel Headsetchatmixer in op de middelste instelling.
 5. Stel Microfoonbevoegd in op het gewenste niveau.
- Deze optie is niet altijd zichtbaar (eerder werd de optie Geluid alleen weergegeven als er een headset op je controller was aangesloten), maar als er geen headset is aangesloten, zijn alle opties uitgeschakeld.
- FR**
1. Appuyez sur le bouton Xbox sur votre manette.
 2. Appuyez sur la gâchette droite ou défiliez jusqu'aux boutons en bas de l'onglet Xbox et sélectionnez le bouton écouteur. (🔊)
 3. Réglez le volume du casque sur le maximum.
 4. Réglez le chat du casque sur le paramètre central.
 5. Réglez le retour du microphone sur le niveau qui vous convient.
- Cette option n'est pas toujours visible (avant, l'option audio n'apparaissait que si vous aviez un casque connecté à votre manette), mais si aucun casque n'est connecté, les options seront toutes grisées.
- DE**
1. Drücke die Xbox-Taste auf deinem Controller
 2. Drücke den rechten Trigger oder wähle aus den Xbox-Menü unten die Lautsprecher-Schaltfläche aus. (🔊)
 3. Stelle die Lautstärke des Headsets auf das Maximum.
 4. Stelle den Headset-Chat-Mixer auf die mittlere Einstellung.
 5. Stelle das Mikrofon-Monitoring auf deine bevorzugte Einstellung.
- Diese Einstellung ist nicht immer verfügbar (zuvor erschienen die Audio-Einstellungen nur, wenn ein Headset am Controller angeschlossen war), wenn aber kein Headset angeschlossen ist, sind alle Optionen ausgegraut.
- SE**
1. Tryk på Xbox-knappen på handkontrollen.
 2. Tryk på höger avtryckare eller gå längst ner i Xbox-fliken och tryk på högtalarknappen. (🔊)
 3. Ställ i headsetvolymen på max.
 4. Ställ in chattmixern på midtinställningen.
 5. Ställ in den mikrofonnivå du vill ha.
- Det har alternativet syns inte alltid (tidigare duk ljudalternativet bara upp om du hade kopplat ett headset till din handkontroll), men om inget headset är anslutet är inga alternativ tillgängliga.

SETUP FOR PLAYSTATION® CONFIGURATION POUR PLAYSTATION®



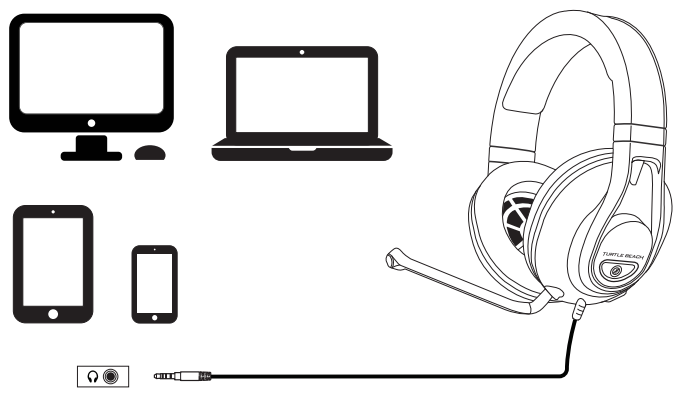
- EN**
1. Connect your wired headset to the aux port in the DualSense controller. Once you do this, the microphone function will automatically switch from the controller's integrated mic to your headset.
 2. Go to Settings >> Sound >> Audio Output >> Output Device.
 - Select headset connected to controller for output device.
 - Set Output to Headphones to All Audio*.
 3. Go to Settings >> Sound >> Volume >> Master volume >> Headphones.
 - Set Volume Controller (headphones) level to maximum.
 4. Adjust your microphone levels by going to Settings >> Sound >> Microphone >> Adjust Mic Level >> Microphone Level.
- *As desired, Go to Adjust 3D Audio Profile and enable the 3D Audio function to enhance the audio through your headset.
- FR**
1. Connectez votre casque filaire au port auxiliaire de la manette DualSense. La fonction microphone passera alors automatiquement du microphone intégré dans la manette à celui de votre casque.
 2. Allez dans Options >> Son >> Sortie audio >> Périphérique de sortie.
 - Sélectionnez le casque connecté à votre manette en tant que périphérique de sortie.
 3. Allez dans Options >> Son >> Volume >> Volumes principaux >> Casque
 - Réglez le réglage du volume (casque) au maximum.
 4. Ajustez les niveaux de votre microphone en allant dans Options >> Son >> Microphone >> Ajuster niveau microphone >> Niveau microphone
- *Si vous le souhaitez, Allez dans Ajuster profil audio 3D et activez la fonction Audio 3D pour améliorer le son de votre casque.
- ES**
1. Conecta el cable de tus auriculares al puerto auxiliar del mando DualSense. Al conectarlo, la función del micrófono cambiara automáticamente del micrófono integrado en el mando a tus auriculares.
 2. Ve a Configuración >> Sonido >> Salida de audio >> Dispositivo de salida.
 - Selecciona los auriculares conectados al mando como dispositivo de salida.
 - Establece los auriculares como salida para todo el sonido*.
 3. Ve a Configuración >> Sonido >> Volumen >> Volumen principal >> Auriculares.
 - Establece el nivel de control del volumen (auriculares) al máximo.
 4. Ajusta los niveles de tu micrófono desde Configuración >> Sonido >> Micrófono >> Ajustar nivel del micrófono >> Nivel del micrófono.
- *Si lo deseas, puedes ir a Ajustar perfil del sonido 3D y activar la función de sonido 3D para mejorar el audio de los auriculares.
- IT**
1. Collega il cavo delle cuffie alla porta ausiliaria del controller DualSense. Dopo di ciò, la funzione microfono passerà automaticamente dal microfono integrato del controller a quello delle cuffie.
 2. Vai a Impostazioni >> Suono >> Uscita audio >> Dispositivo di uscita.
 - Seleziona le cuffie collegate al controller come dispositivo di uscita.
 - Imposta le cuffie come dispositivo di uscita su "Tutto l'audio".
 3. Vai a Impostazioni >> Suono >> Volume >> Volume principale >> Cuffie.
 - Imposta Regolazione volume (cuffie) al livello massimo.
 4. Regola i livelli del microfono in Impostazioni >> Suono >> Microfono >> Regola livello microfono >> Livello microfono
- *Se desideri, vai su Regola profilo audio 3D e attiva la funzione audio 3D per potenziare l'audio delle tue cuffie.
- DK**
1. Tæt dit headset-kabel til aux-porten i din DualSense-controller. Når du har gjort dette bytter konsolen automatisk mikrofon fra controllerens indbyggede mikrofon til headsettet.
 2. Gå til Indstillinger >> Lyd og skærm >> Indstillinger for audio-output >> Outputenhed
 - Vælg dit headset-forbundet til controlleren som udgangsenhed
 - Sæt hovedtelefonudgangen til "Al lyd"
 3. Gå til Indstillinger >> Lyd og skærm >> Lydstyrke >> Overordnet lydstyrke >> Hovedtelefoner
 - Stil i volumkontroll (hørlurar) til max.
 4. Juster mikrofonniveauet gennem gå til Indstillinger >> Lyd og skærm >> Mikrofon >> Mikrofon >> Juster mikrofonniveau >> Mikrofonniveau
- *Du kan gå ind under "Juster 3D Audio-profil" og slå 3D Audio til for at gøre lyden endnu bedre i dit headset.
- NL**
1. Sluit je bekabelde headset aan op de aux-poort van de DualSense-controller. De microfoonfunctie schakelt vervolgens automatisch over van de ingebouwde microfoon van de controller naar de headset.
 2. Ga naar Instellingen >> Geluid >> Audio-uitvoer >> Uitvoerapparaat.
 - Selecteer als uitvoerapparaat de headset die op de controller is aangesloten.
 - Stel Uitvoer naar hoofdtelefoon in op Alle audio*
 3. Ga naar Instellingen >> Geluid >> Volume >> Hoofdvolume >> Hoofdtelefoon.
 - Stel Volumebediening (hoofdtelefoon) in op de maximale waarde.
 4. Je kunt de microfoonniveaus aanpassen door naar Instellingen >> Geluid >> Microfoon >> Microfoonniveau aanpassen >> Microfoonniveau te gaan.
 - *Indien gewenst kun je naar 3D Audio-profiel aanpassen gaan en de 3D Audio-functie inschakelen om het geluid via je headset te verbeteren.
- *Si lo deseas, puedes ir a Ajustar perfil del sonido 3D y activar la función de sonido 3D para mejorar el audio de los auriculares.

SETUP FOR NINTENDO SWITCH™ CONFIGURATION POUR NINTENDO SWITCH™



Note / Remarque :
Chat available for games that support in-game chat capability. Chat en jeu disponible pour les jeux disposant de cette option.

SETUP FOR PC/MAC® & MOBILE CONFIGURATION POUR PC/MAC® & MOBILE



Note: If your PC uses separate Green/Pink connectors for audio you will need a PC Splitter Cable. This adapter is available online at turtlebeach.com

Remarque : Un câble Y est nécessaire pour les PC dotés de sorties audio rose et verte. Ce câble est également en vente sur turtlebeach.com

Regulatory Compliance Statements for the EAR FORCE RECON 500
Federal Communications Commission (FCC) Compliance Notices
Class B Interference Statement
This equipment has been tested and found to comply with the limits for a Class B digital device, pursuant to Part 15, Subpart B of the FCC Rules. These limits are designed to provide reasonable protection against harmful interference in a residential installation. This equipment generates, uses, and can radiate radio frequency energy and, if not installed and used in accordance with the instructions, may cause harmful interference to radio communications. However, there is no guarantee that interference will not occur in a particular installation. If this equipment does cause harmful interference to radio or television reception, which can be determined by turning the equipment off and on, the user is encouraged to try to correct the interference by one or more of the following measures:

- Reorient or relocate the receiving antenna.
- Increase the separation between the equipment and receiver.
- Connect the equipment into an outlet on a circuit different from that to which the receiver is connected.
- Consult the dealer or an experienced radio/TV technician for help.

FCC Caution:
This device complies with Part 15 of the FCC Rules. Operation is subject to the following two conditions: (1) This device may not cause harmful interference, and (2) this device must accept any interference received, including interference that may cause undesired operation. This product is compliant with the Consumer Product Safety Improvement Act of 2008, Public Law 110-314 (CPSIA).

Canadian ICES Statements
Canadian Department of Communications Radio Interference Regulations
This digital apparatus does not exceed the Class B limits for radio-noise emissions from a digital apparatus as set out in the Radio Interference Regulations of the Canadian Department of Communications. This Class B digital apparatus complies with Canadian ICES-003.
Règlement sur le bruissement radioélectrique du ministère des Communications
Cet appareil numérique respecte les limites de bruits radioélectriques visant les appareils numériques de classe B prescrites dans le Règlement sur le bruissement radioélectrique du ministère des Communications du Canada. Cet appareil numérique de la Classe B est conforme à la norme NMB-003 du Canada.

European Union and European Fair Trade Association (EFTA) Regulatory Compliance
This equipment may be operated in the countries that comprise the member countries of the European Union and the European Fair Trade Association. These countries, listed below, are referred to as The European Community throughout this document:
AUSTRIA, BELGIUM, BULGARIA, CYPRUS, CZECH REPUBLIC, DENMARK, ESTONIA, FINLAND, FRANCE, GERMANY, GREECE, HUNGARY, IRELAND, ITALY, LITHUANIA, LUXEMBOURG, MALTA, NETHERLANDS, POLAND, PORTUGAL, ROMANIA, SLOVAKIA, SLOVENIA, SPAIN, SWEDEN, UNITED KINGDOM, ICELAND, LICHTENSTEIN, NORWAY, SWITZERLAND.

Declaration of Conformity
Marking by this symbol: indicates compliance with the Essential Requirements of the EMC Directive of the European Union (2014/53/EU). This equipment meets the following conformance standards:

Immunity:
EN 55024: 2010, CISPR 24: 2010
EN 10004-2: 2009, EN 61000-4-3: 2006 + A1: 2008 + A2: 2010, EN 61000-4-8: 2010

Environmental:
Low Voltage Directive 2014/35/EU, REACH 2006/1907/EC, RoHS 2015/863 amending Annex II to Directive 2011/65/EU, WEEE 2012/19/EU, Packaging 94/62/EC, Toys Safety Directive 2009/48/EC

The products are licensed, as required, for additional country specific standards for the International Marketplace.
Additional Issued Licenses available upon request.

SURROUND SOUND SETUP (AVAILABLE ONLY ON XBOX SERIES X|S & XBOX ONE) CONFIGURATION DU SON SURROUND (DISPONIBLE UNIQUEMENT SUR XBOX SERIES X|S & XBOX ONE)

- EN**
1. Press the Xbox Button on your controller.
 2. Go to the Profile & System Tab. (👤)
 3. Select Settings >> General >> Volume & Audio Output.
 4. Set Headset format under the Headset audio column to Windows Sonic for Headphones.
- ES**
1. Pulsa el botón Xbox en tu mando.
 2. Ve a Perfil y después a la pestaña Sistema. (👤)
 3. Selecciona Configuración >> General >> Volumen y Salida de audio.
 4. En la columna Sonido de los auriculares, selecciona Windows Sonic para auriculares como formato de los auriculares.
- IT**
1. Premi il pulsante Xbox sul controller.
 2. Vai alla scheda Profilo e sistema. (👤)
 3. Seleziona Impostazioni >> Generale >> Volume e uscita audio.
 4. Imposta il formato delle cuffie nella colonna Audio cuffie su Windows Sonic per cuffie.
- PT**
1. Prime o Botão Xbox no comando
 2. Vai para o separador Perfil e Sistema (👤)
 3. Seleccionar Definições >> Geral >> Saída de Volume e Audio
 4. Configura o formato dos Auscultadores na coluna de áudio dos Auscultadores para Windows Sonic para Auscultadores
- DK**
1. Tryk på Xbox-knappen på din controller.
 2. Gå ind under fanen "Profil og system" (👤)
 3. Vælg Indstillinger >> Generelt >> Lydstyrke og lydoutput
 4. Indstil headset-formatet under "Lyd i hovedtelefoner" til Windows Sonic til hovedtelefoner
- NL**
1. Druk op de Xbox-knop op je controller.
 2. Ga naar het tabblad Profiel en systeem. (👤)
 3. Selecteer Instellingen >> Algemeen >> Volume en audio-uitvoer
 4. Stel Headsetinstelling in de kolom Headsetgeluid in op Windows Sonic voor hoofdtelefoon.

For more information on Xbox Surround Sound visit:
Pour plus d'informations sur l'effet Surround Xbox, rendez-vous sur:
turtlebeach.com/sonic

Please visit the following URL for a complete copy of the Declaration of Conformity:
<http://www.turtlebeach.com/homologation>

This symbol on the product or its packaging indicates that this product must not be disposed of with your other household waste. Instead, it is your responsibility to dispose of your waste equipment by handing it over to a designated collection point for the recycling of waste electrical and electronic equipment. The separate collection and recycling of your waste equipment at the time of disposal will help conserve natural resources and ensure that it is recycled in a manner that protects human health and the environment. For more information about where you can drop off your waste for recycling, please contact your local authority, or where you purchased your product.

Turtle Beach Europe Ltd is obligated as a producer with a main activity of selling under The Producer Responsibility Obligations (Packaging Waste) Regulations 2007. To fulfil our obligation we are registered with Comply Direct and their Recycling Room. Here you will find advice and information on packaging waste management, recycling symbols and the waste hierarchy principles of reduce, reuse and recycle.
<https://www.complydirect.com/the-recycling-room/>

Japan Compliance Statement
この装置は、クラスB情報技術装置です。この装置は、家庭環境で使用することを目的としていますが、この装置がラジオやテレビジョン受信機に近接して使用されると、受信障害を引き起こすことがあります。取扱説明書に従って正しい取り扱いをして下さい。 VCCI-B

This is a Class B product based on the standard of the VCCI Council. If this is used near a radio or television receiver in a domestic environment, it may cause radio interference. Install and use the equipment according to the instruction manual.

To access the rating label:
Pour accéder à l'étiquette :

1. Remove the left ear pad by pulling the ear pad straight up using your thumb.
1. Retirez le coussinet gauche en le tirant vers le haut à l'aide de votre pouce.
2. Once you've released the cloth from the lip on top, pull the ear pad straight back and it should slip right off.
2. Une fois le haut du tissu délogé, tirez le coussinet vers vous pour le retirer facilement.



Not seeing what you're looking for here?
Visit turtlebeach.com/support for the latest Tech Support information.
Vous n'avez pas trouvé ce que vous cherchiez ? Rendez-vous sur turtlebeach.com/support pour consulter les dernières informations de l'assistance technique.

To replace the ear pad, follow the same process in reverse.
Pour remonter le coussinet en place, veuillez suivre la procédure inverse.