

## DS10-200SL1

## NEOMOUNTS PHONE STAND

### SPECIFICATIONS

#### GENERAL

Min. screen size*	0 inch
Max. screen size*	7 inch
Screens	1
Desk mount	Stand

#### FUNCTIONALITY

Type	Tilt Swivel
Height adjustment	17-27,5 cm
Width adjustment	10,5 cm
Depth adjustment	10,5 cm
Tilt (degrees)	180°
Swivel (degrees)	360°
Adjustment type	Manual

#### INFORMATION

Color	Silver
Main material	Aluminium
Warranty	5 year
EAN code	8717371448493

\*Please note: The inch sizes stated are just an indication, combined with the weight and VESA sizes. The maximum weight and VESA size are absolute restrictions for the products and should not be exceeded.



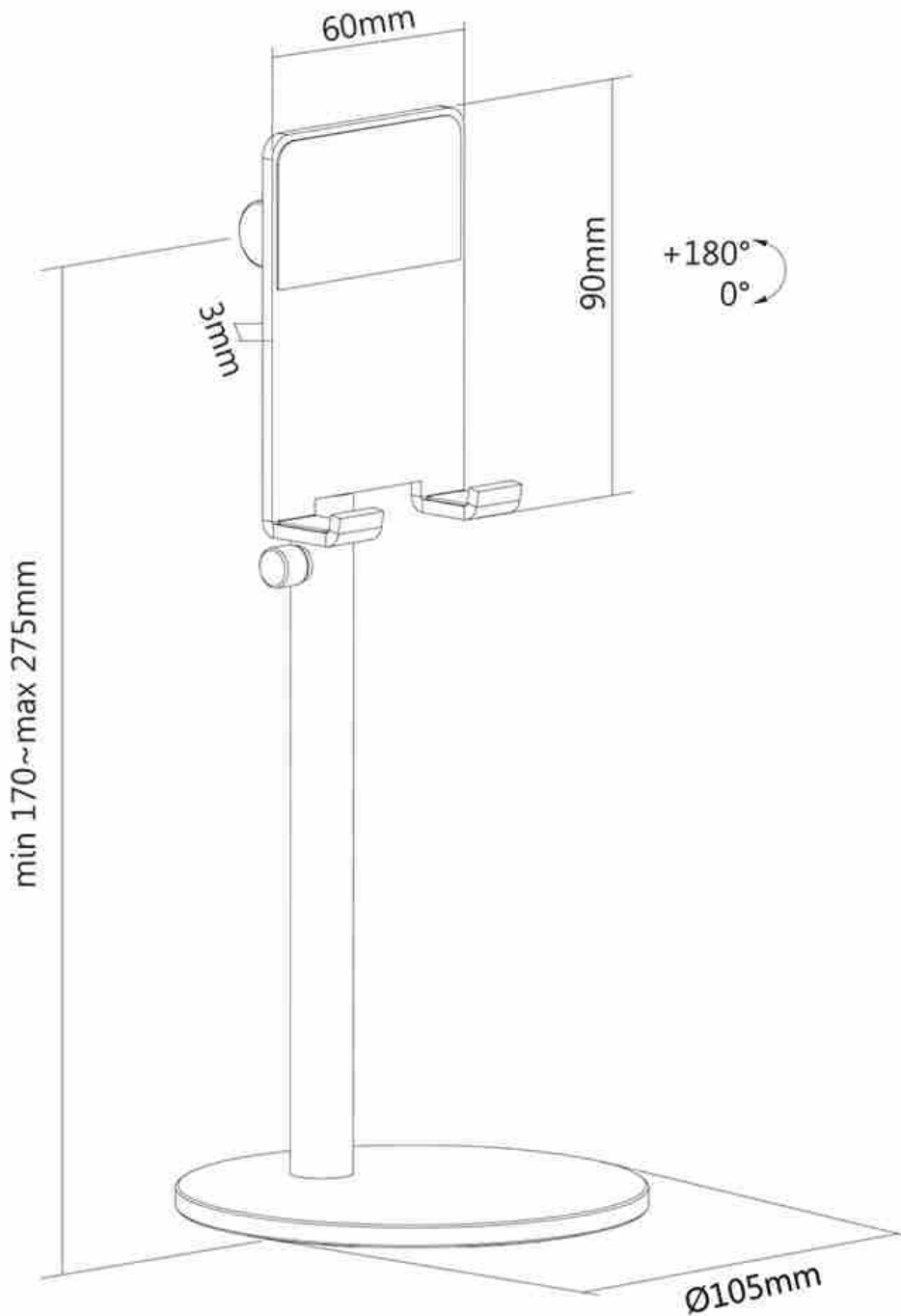
### Neomounts height adjustable phone stand - Silver

The Neomounts DS10-200SL1 is a height adjustable stand for smartphones up to 7". The clever tilt option (180°) allows the stand to change to the ideal viewing angle. Additionally, the stand can be adjusted in height from 17-27,5 cm. The phone stand is ideal for hands-free video calling, watching a movie or playing a game.

Thanks to the open configuration, the charging port remains accessible and charging wires can be routed to the back of the stand. The lightweight design makes the stand ideal to take with you wherever you want. The anti-skid silicon pads and safety ledge stopper ensure solid positioning of your phone.

DS10-200SL1

## NEOMOUNTS PHONE STAND



Neomounts