

Mounting Racing Wheels & Pedals

※Please contact the manufacturer directly for information about specific racing wheel cockpits and stands.

PS4-052 Racing wheel APEX for PlayStation®4

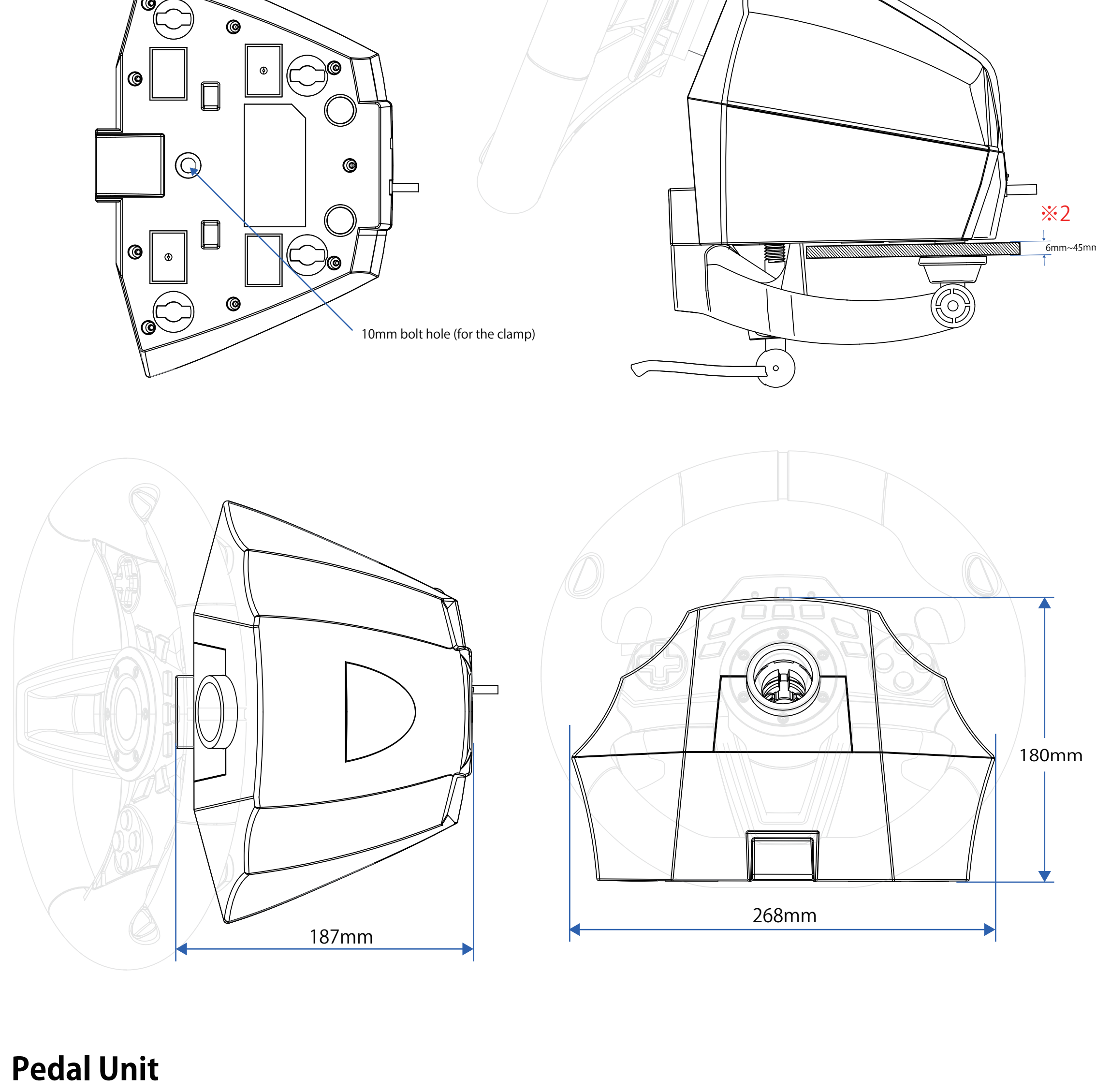
PS4-142 wireless Racing wheel APEX for PlayStation®4

Racing Wheel Unit

※1 : This product uses a clamp instead of screws for mounting.

※2 : The racing wheel can be attached to a hard surface that has a thickness of 6mm~45mm. Please refer to Image 2 for reference. This product will not properly attach to a surface that exceeds 6mm~45mm.

Clamp Attachment

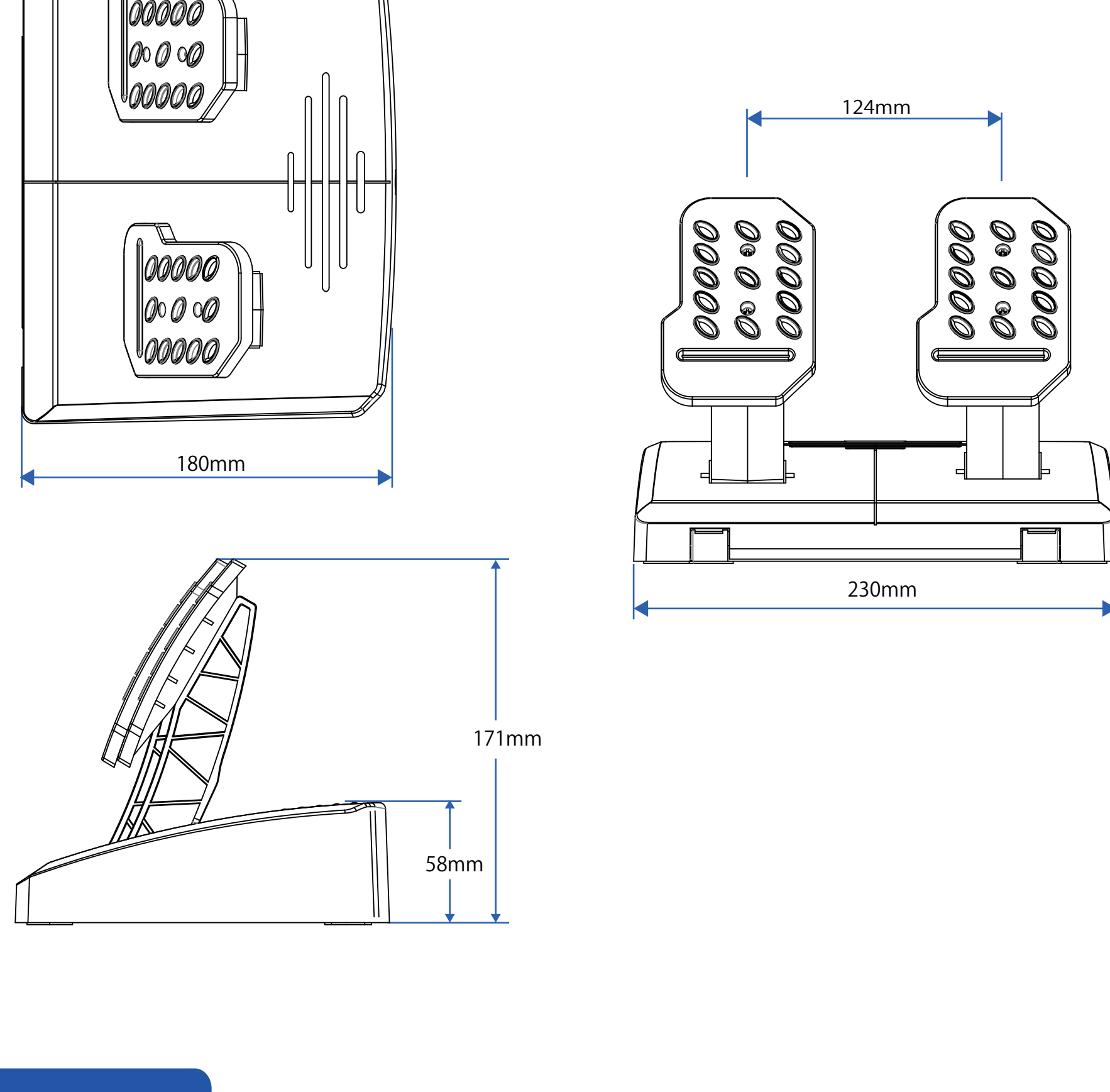


Pedal Unit

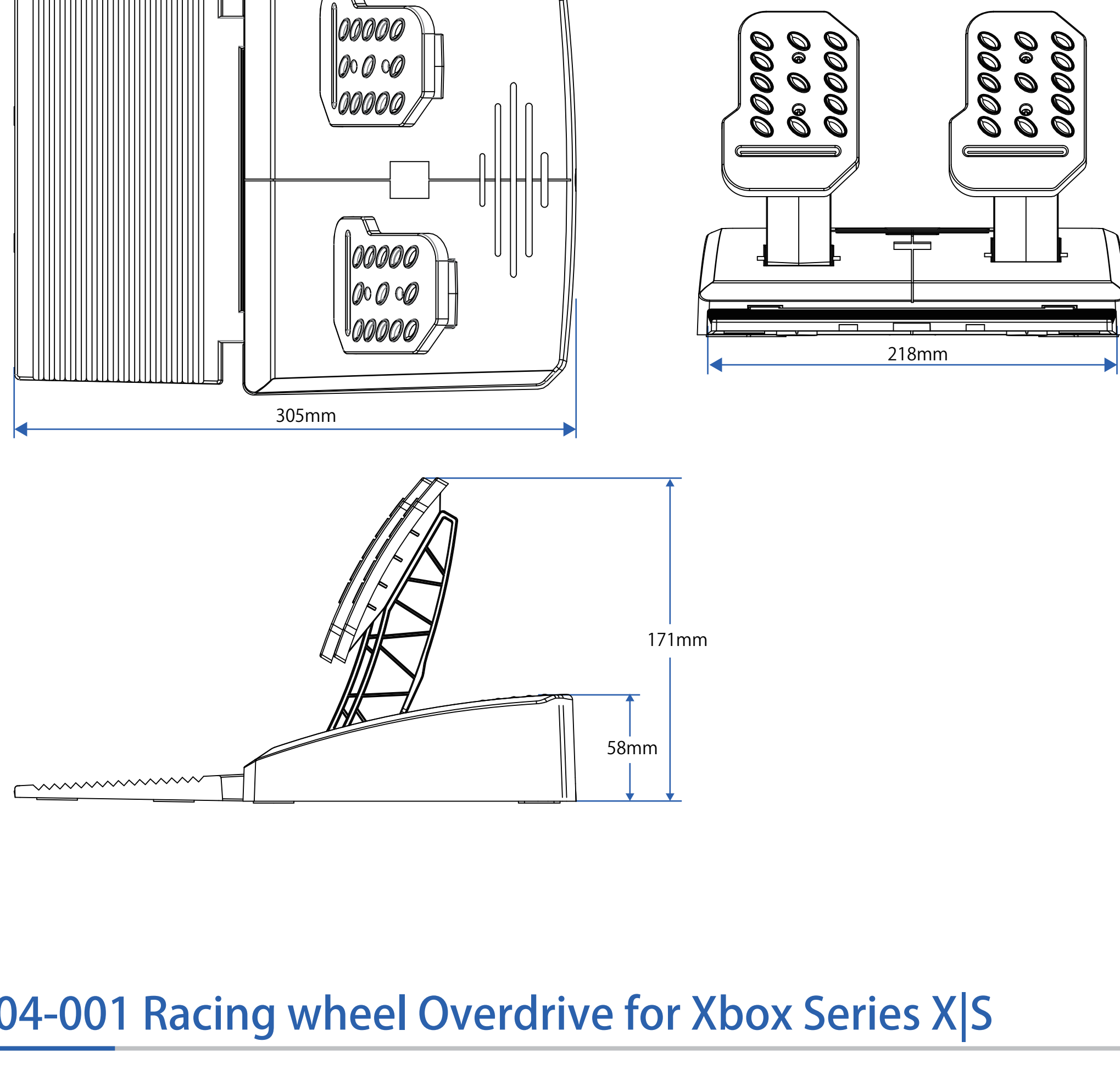
※1 : This product uses a clamp instead of screws for mounting.

※2 : A strap may be needed to properly attach the racing wheel to the racing wheel cockpit.

Footrest (stored)



Footrest (is use)



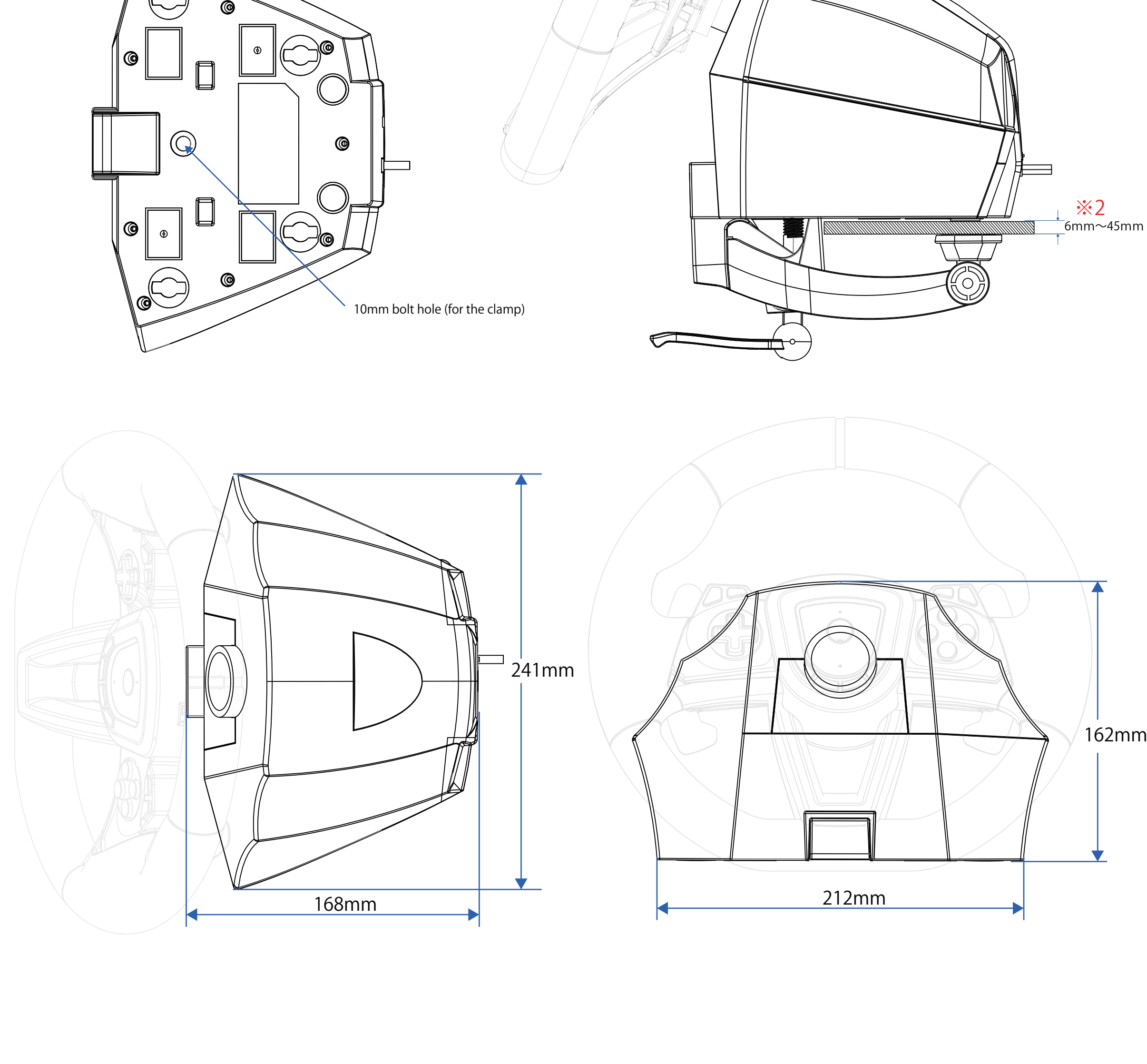
AB04-001 Racing wheel Overdrive for Xbox Series X|S

Racing Wheel Unit

※1 : This product uses a clamp instead of screws for mounting.

※2 : The racing wheel can be attached to a hard surface that has a thickness of 6mm~45mm. Please refer to Image 2 for reference. This product will not properly attach to a surface that exceeds 6mm~45mm.

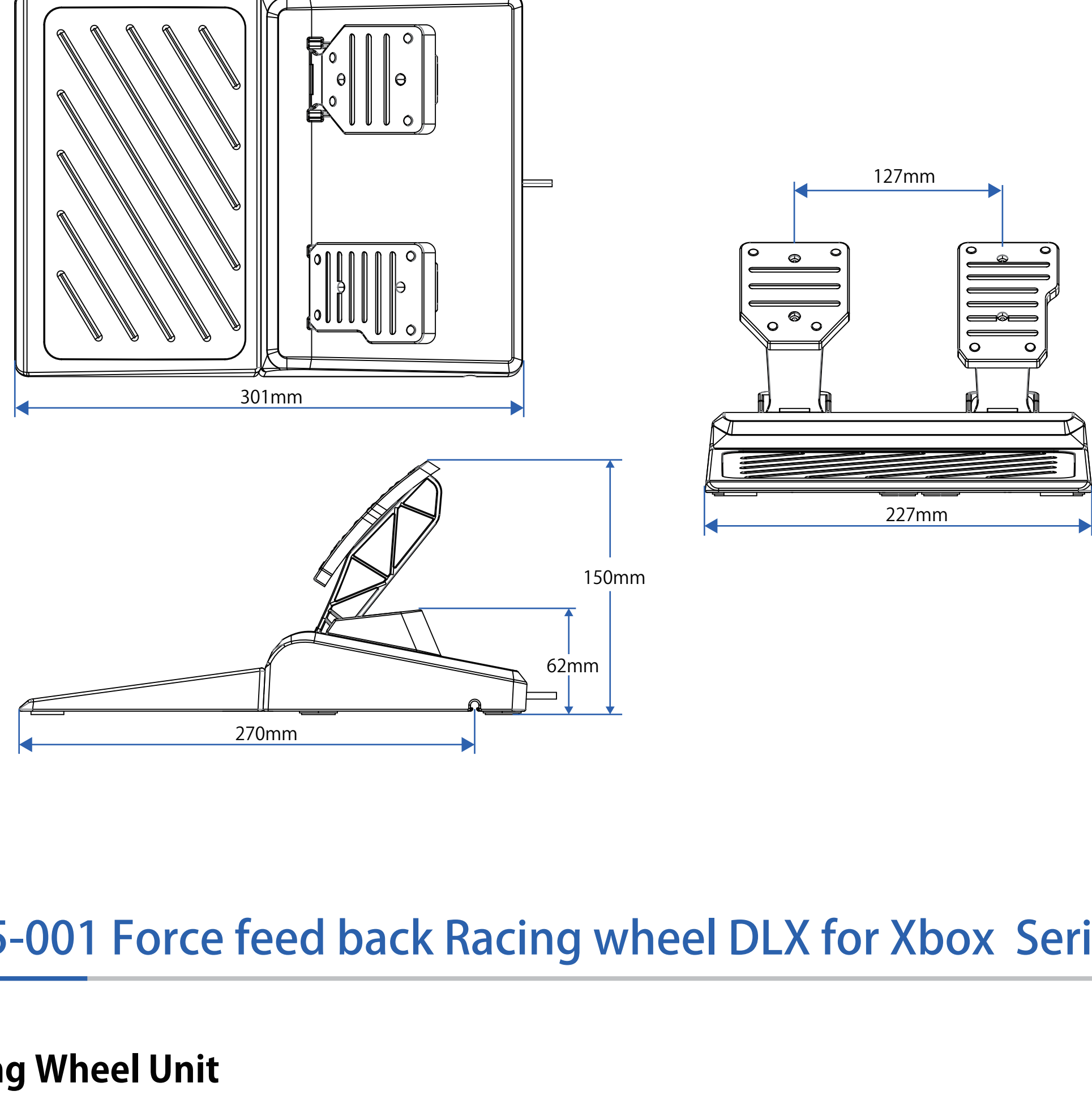
Clamp Attachment



Pedal Unit

※1 : This product uses a clamp instead of screws for mounting.

※2 : A strap may be needed to properly attach the racing wheel to the racing wheel cockpit.



AB05-001 Force feed back Racing wheel DLX for Xbox Series X|S

Racing Wheel Unit

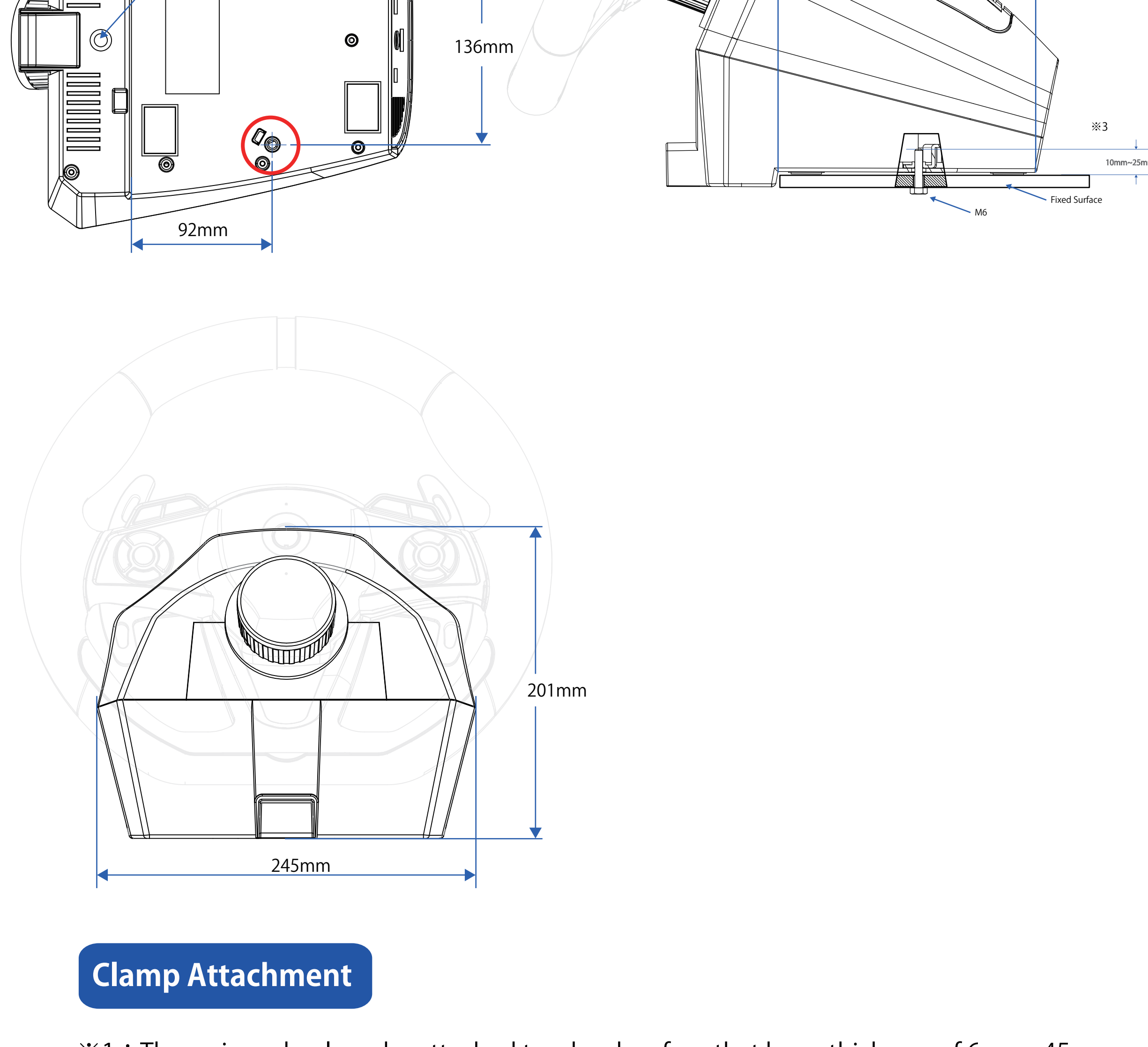
※1 : This product can be attached to a racing cockpit compatible with M6 bolts.

※2 : Two M6 bolts are needed to attach this product to a racing wheel cockpit.

※3 : The length of the M6 bolt can be the thickness of the fixed surface + 10 mm to 25 mm.

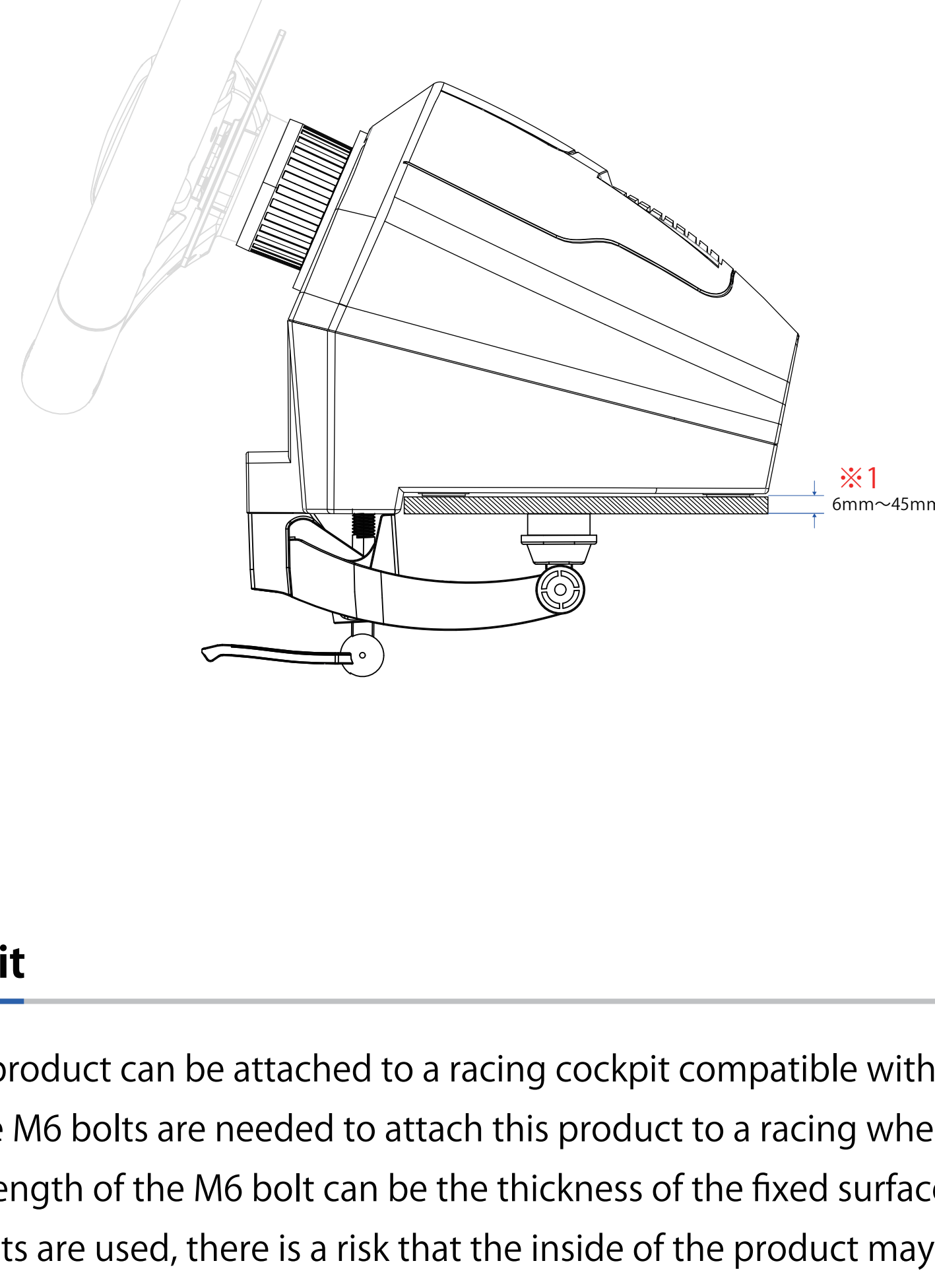
If wider bolts are used, there is a risk that the inside of the product may be damaged, or it may not properly attach. Please refer to the image below.

M6 Bolt



Clamp Attachment

※1 : The racing wheel can be attached to a hard surface that has a thickness of 6mm~45mm. Please refer to Image 2 for reference. This product will not properly attach to a surface that exceeds 6mm~45mm.



Pedal Unit

※1 : This product can be attached to a racing cockpit compatible with M6 bolts.

※2 : Three M6 bolts are needed to attach this product to a racing wheel cockpit.

※3 : The length of the M6 bolt can be the thickness of the fixed surface + 10 mm to 25 mm.

If wider bolts are used, there is a risk that the inside of the product may be damaged, or it may not properly attach. Please refer to the image below.

M6 Bolt

