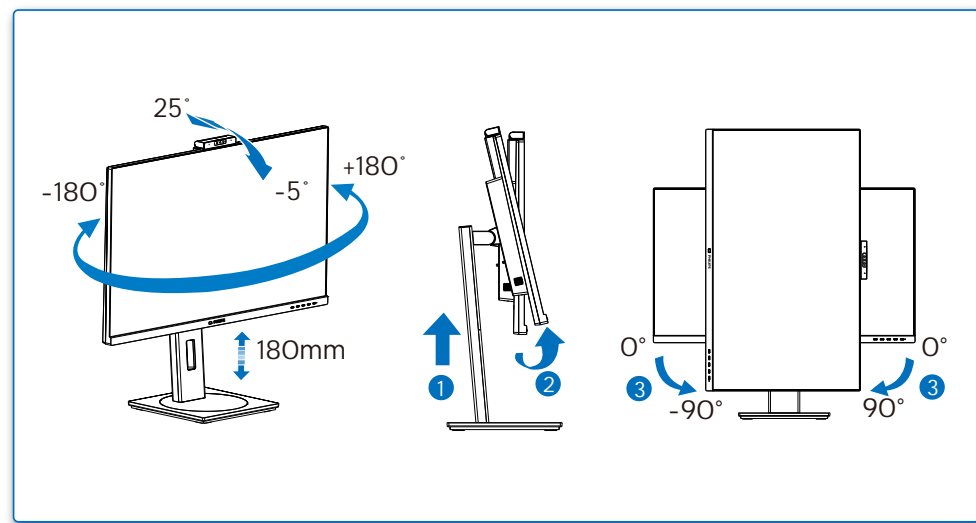
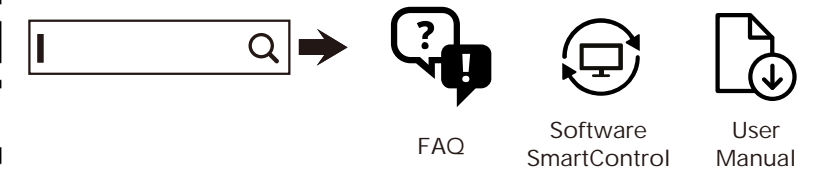


5



Register your product and get support at [www.philips.com/support](http://www.philips.com/support)



Version: M10326PIQ1T  
2021 © TOP Victory Investments Ltd. All rights reserved.

This product has been manufactured by and is sold under the responsibility of Top Victory Investments Ltd., and Top Victory Investments Ltd. is the warrantor in relation to this product. Philips and the Philips Shield Emblem are registered trademarks of Koninklijke Philips N.V. and are used under license.

Specifications are subject to change without notice.

**HDMI**

The terms HDMI, HDMI High-Definition Multimedia Interface, and the HDMI Logo are trademarks or registered trademarks of HDMI Licensing Administrator, Inc.

[www.philips.com](http://www.philips.com)

Energy Labelling

326PIH



Printed in China



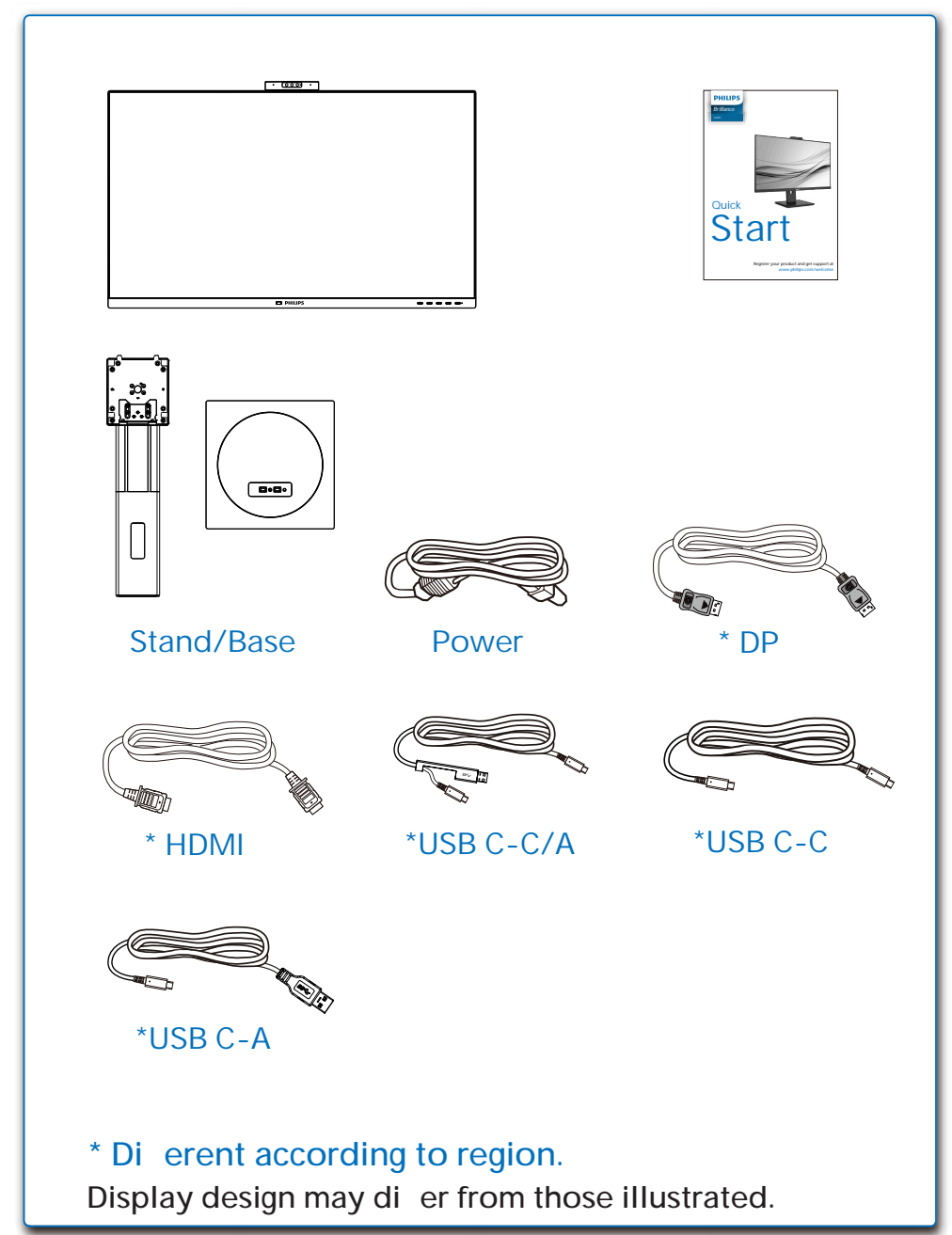
Q41G32M181378C

**PHILIPS**  
Brilliance  
326P1



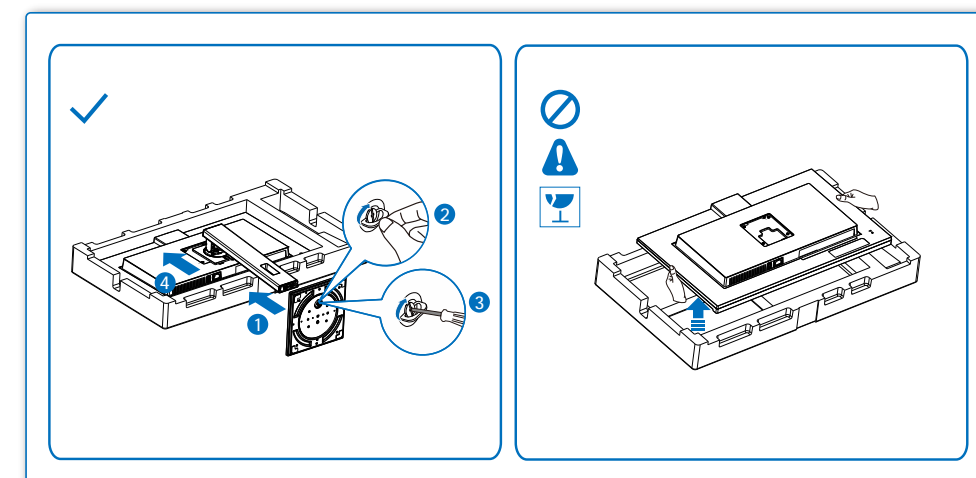
# Quick Start

Register your product and get support at [www.philips.com/welcome](http://www.philips.com/welcome)

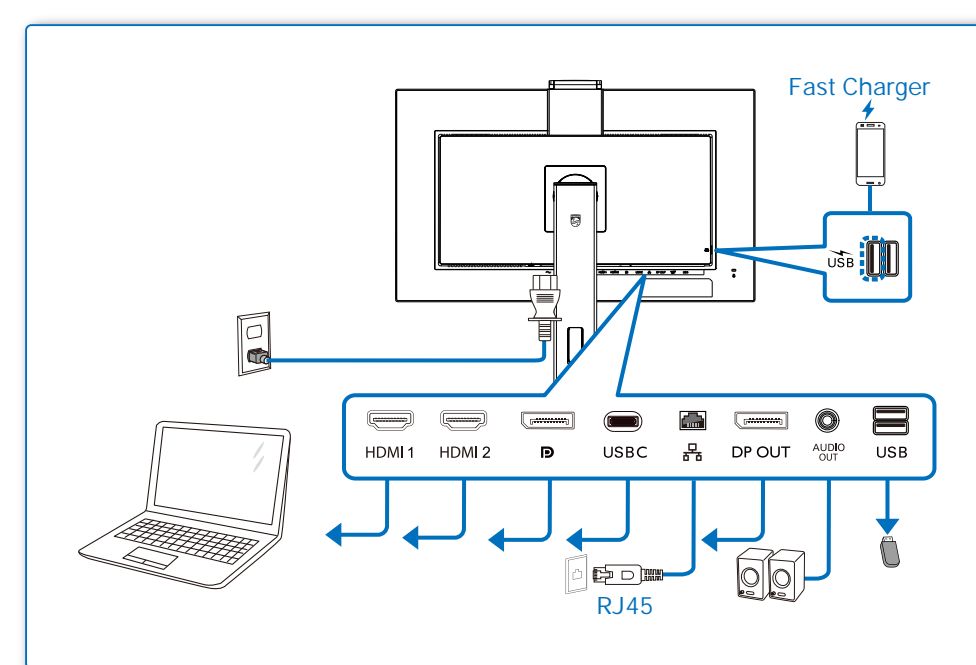


\* Different according to region.  
Display design may differ from those illustrated.

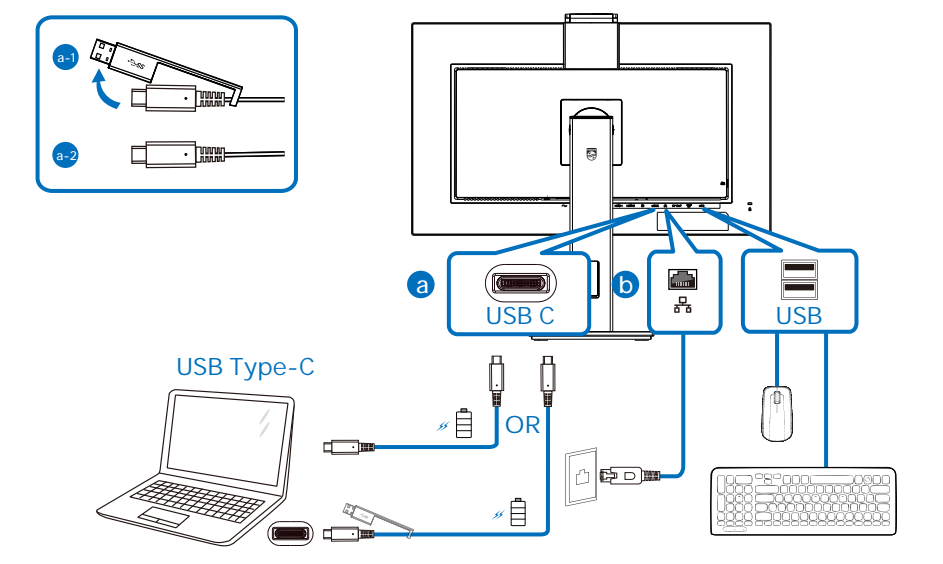
1



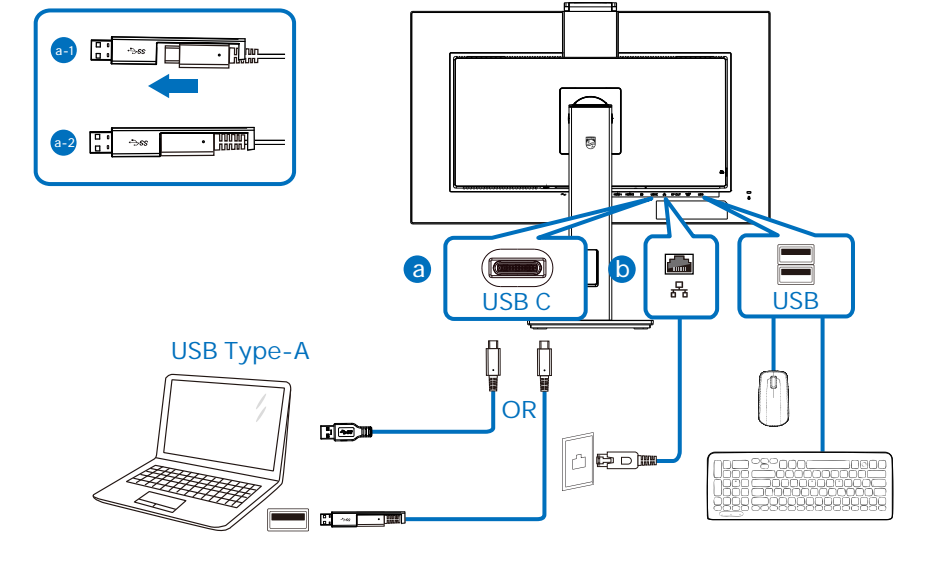
2



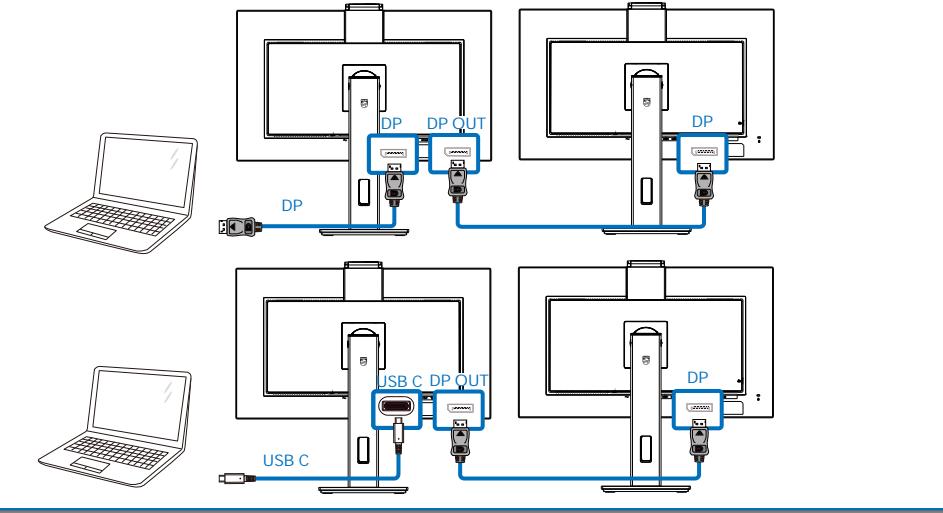
### USB docking (USB C-C)



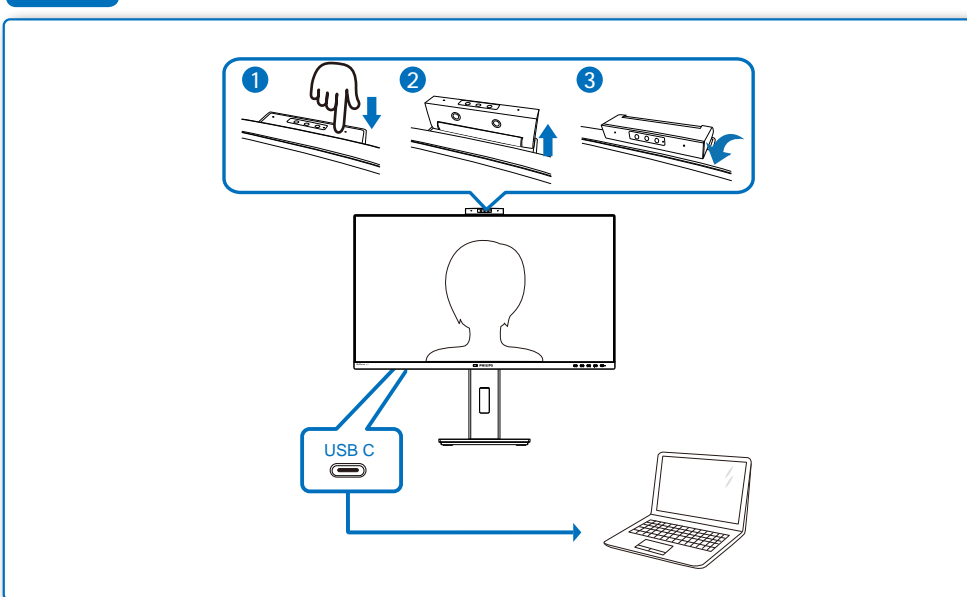
### USB docking (USB A-C)



### Multi-stream transport



3



4

