

Cisco Business 250 Series Smart Switches Quick Start Guides

The Cisco Business 250 Series has different quick start guides depending on your product. Find your product SKU below to know which version of the Quick Start Guide to use.

Quick Start Guide ([Pages 2-3](#))

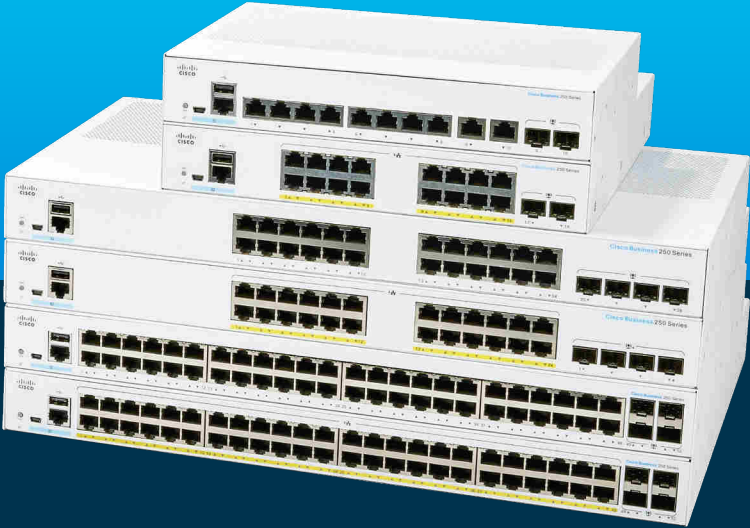
CBS250-8T-E-2G	CBS250-24T-4G	CBS250-48P-4G
CBS250-8PP-E-2G	CBS250-24PP-4G	CBS250-24T-4X
CBS250-8P-E-2G	CBS250-24P-4G	CBS250-24P-4X
CBS250-8FP-E-2G	CBS250-24FP-4G	CBS250-24FP-4X
CBS250-16T-2G	CBS250-48T-4G	CBS250-48T-4X
CBS250-16P-2G	CBS250-48PP-4G	CBS250-48P-4X

Quick Start Guide ([Pages 4-5](#))

CBS250-8T-D	CBS250-8PP-D
-------------	--------------



Cisco Business 250 Series Smart Switches



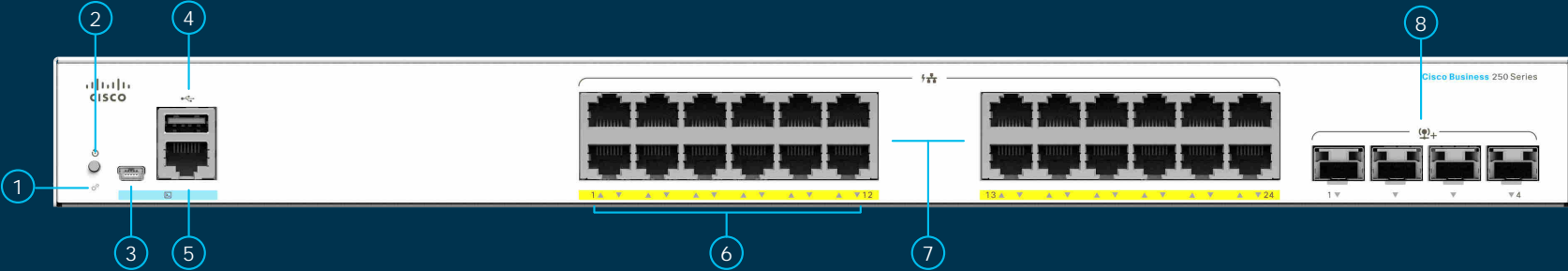
Thank you for choosing the Cisco 250 Series Switch. These switches are designed to be operational right out of the box as standard switches. In the default configuration, it forwards packets between the connected devices after powering up.

What's in the Box

- Cisco Business 250 Series Smart Switch
- Power Cord or Adapter
- Rack-Mount/Wall-Mount Kit
- Quick Start Guide
- Pointer Card with China RoHS
- Technical Support Contacts

Product Features

- 1 System LED
- 2 Reset Button
- 3 Mini USB Console Port
- 4 USB Port
- 5 RJ45 Console Port
- 6 LINK/ACT LEDs
- 7 Gigabit Network Ports
- 8 SFP/SFP+ Uplink Ports



First, You'll Need...

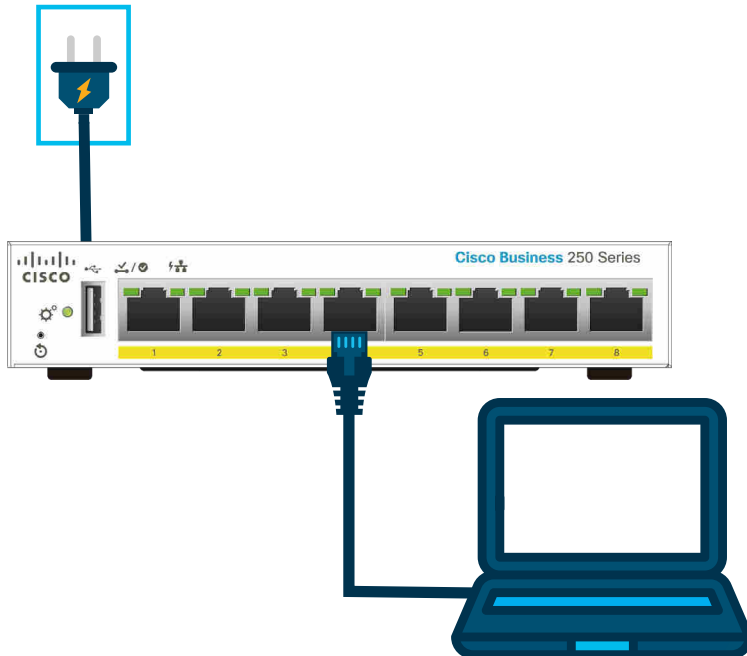
RJ-45 Ethernet cables (Category 5e or higher) for connecting network devices
Tools for mounting the hardware

Computer with ethernet port and a web browser (Firefox, Chrome, Safari or Edge)

Get Connected

Preparing Your Product

Plug the power cord of the switch into an outlet. Connect your computer to the switch using an ethernet cable. Ensure that your computer is on and proceed to “Get Configured”.



LED Functions

LED	GREEN STEADY	GREEN FLASHING	AMBER	OFF
System	Switch has acquired an IP address through DHCP or a static IP address has been manually configured.	Booting, performing self tests or acquiring IP address or factory default IP address is being used.	<i>Flashing</i> Hardware failure detected.	Switch is powered off.
LINK/ACT	Link between corresponding port and another device detected.	Port is passing traffic.		Link down.
PoE*			<i>Steady</i> Power is being supplied to a device connected to the port.	Power is not being supplied or nothing is connected to the port.
Gigabit*	1000 Mbps link is established.			Connection speed is under 1000 Mbps or nothing is connected to the port.

* Depending on model. PoE switches will only have a PoE LED whereas non PoE switches will have a Gigbit LED.

Get Configured

To connect the managed switch:

- The switch will attempt to acquire an IP address if there is a DHCP server in the network. If the switch cannot acquire an IP address through DHCP, it uses the factory default IP address of 192.168.1.254, with a subnet of /24.
 - If the switch is using the factory default IP address of 192.168.1.254/24, you must choose an IP address for the computer in the range of 192.168.1.2-192.168.1.253 that is not already in use.

- If the IP address is assigned by a DHCP server, make sure the DHCP server is running and can be reached from the switch and the computer. It might be necessary to disconnect and reconnect the devices for them to discover their new IP addresses from the DHCP server.

NOTE: Details on how to change the IP address on your computer depend upon the type of architecture and operating system you are using. Use the computer Help and Support functionality to search for “IP Addressing.”

Access the managed switch:

- Open a web browser window.
- Enter the switch IP address in the address bar and press **Enter**. For example, <http://192.168.1.254>. The **Switch Login Page** displays.
- Enter the default login information:
Username is **cisco**
Default password is **cisco**
(passwords are case-sensitive)
- Click **Log In**.

If this is the first time that you have logged on with the default username and password, the Change Password page opens. The rules for constructing a new password are displayed on the page.

- Enter a new password and confirm the password.

NOTE: Password complexity is enabled by default. The password must comply with the default complexity rules.
- Click **Apply**.



Make sure that any configuration changes made are saved before exiting from the web-based interface by clicking on the **Save** icon. Exiting, rebooting or losing power before you save your configuration will result in all changes being lost.

The Getting Started window displays. You are now ready to configure the switch. Refer to your Administration Guide for further information.

Command Line Interface (CLI)

You can also access the switch by using the switch’s command-line interface, refer to the [Cisco Business 250 Series Administration Guide](#) for more information.

Mounting

For mounting and stacking instructions, please see the [Cisco Business 250 Series Administration Guide](#).

Support



For Cisco support and additional documentation, including mounting instructions and the administration guide, visit cisco.com/go/250switches



Cisco Business 250 Series Smart Switches



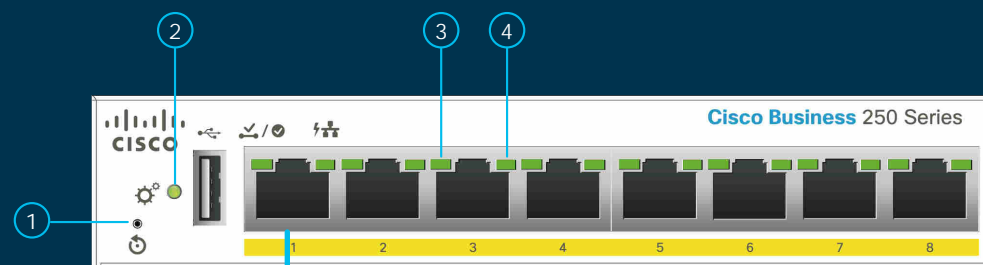
Thank you for choosing the Cisco Business 250 Series Switch. These switches are designed to be operational right out of the box as standard switches. In the default configuration, it forwards packets between the connected devices after powering up.

What's in the Box

- Cisco Business 250 Series Switch
- Power Cord or Adapter
- Wall-Mount Kit
- Quick Start Guide
- Pointer Card with China RoHS
- Technical Support Contacts

Product Features

- 1 Reset Button
- 2 System LED
- 3 Link/ACT LEDs
- 4 PoE (Power over Ethernet) LEDs*



NOTE: On the CBS250-8T-D model, port 1 can work as a PoE PD or PoE input port to power the switch.

* PoE product shown. For non-PoE products there is a Gigabit LED instead of a PoE LED.



First, You'll Need...

RJ-45 Ethernet cables (Category 5e or higher) for connecting network devices

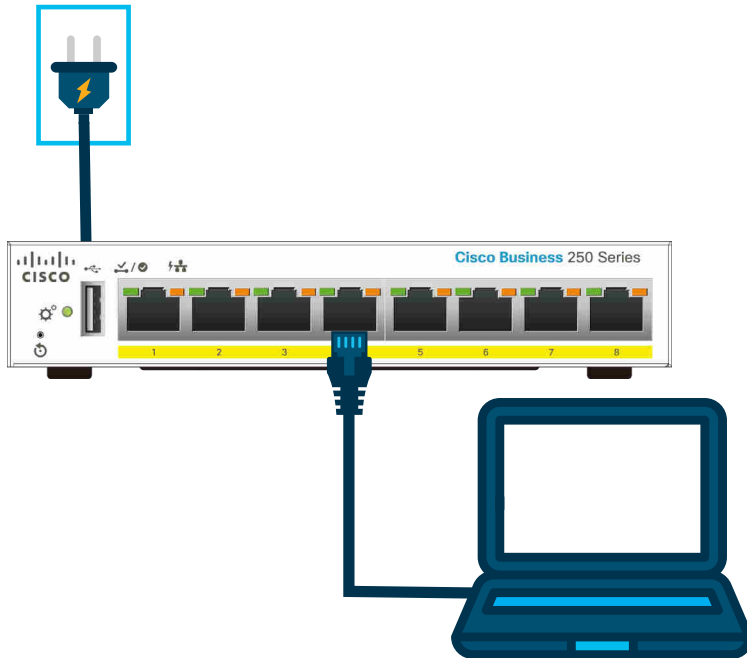
Tools for mounting the hardware

Computer with ethernet port and a web browser (Firefox, Chrome, Safari or Edge)

Get Connected

Preparing Your Product

Plug the power cord of the switch into an outlet. Connect your computer to the switch using an ethernet cable. Ensure that your computer is on and proceed to “Get Configured”.



LED Functions

LED	GREEN STEADY	GREEN FLASHING	AMBER	OFF
System	Switch has acquired an IP address through DHCP or a static IP address has been manually configured.	Booting, performing self tests or acquiring IP address or factory default IP address is being used.	<i>Flashing</i> Hardware failure detected.	Switch is powered off.
LINK/ACT	Link between corresponding port and another device detected.	Port is passing traffic.		Link down.
PoE*			<i>Steady</i> Power is being supplied to a device connected to the port.	Power is not being supplied or nothing is connected to the port.
Gigabit*	1000 Mbps link is established.			Connection speed is under 1000 Mbps or nothing is connected to the port.

* Depending on model. PoE switches will only have a PoE LED whereas non PoE switches will have a Gigbit LED.

Get Configured

To connect the managed switch:

- The switch will attempt to acquire an IP address if there is a DHCP server in the network. If the switch cannot acquire an IP address through DHCP, it uses the factory default IP address of 192.168.1.254, with a subnet of /24.
 - If the switch is using the factory default IP address of 192.168.1.254/24, you must choose an IP address for the computer in the range of 192.168.1.2-192.168.1.253 that is not already in use.

- If the IP address is assigned by a DHCP server, make sure the DHCP server is running and can be reached from the switch and the computer. It might be necessary to disconnect and reconnect the devices for them to discover their new IP addresses from the DHCP server.

NOTE: Details on how to change the IP address on your computer depend upon the type of architecture and operating system you are using. Use the computer Help and Support functionality to search for “IP Addressing.”

Access the managed switch:

- Open a web browser window.
- Enter the switch IP address in the address bar and press **Enter**. For example, <http://192.168.1.254>. The **Switch Login Page** displays.
- Enter the default login information:
Username is **cisco**
Default password is **cisco**
(passwords are case-sensitive)
- Click **Log In**.

If this is the first time that you have logged on with the default username and password, the Change Password page opens. The rules for constructing a new password are displayed on the page.

- Enter a new password and confirm the password.

NOTE: Password complexity is enabled by default. The password must comply with the default complexity rules.
- Click **Apply**.



Make sure that any configuration changes made are saved before exiting from the web-based interface by clicking on the **Save** icon. Exiting, rebooting or losing power before you save your configuration will result in all changes being lost.

The Getting Started window displays. You are now ready to configure the switch. Refer to your Administration Guide for further information.

Command Line Interface (CLI)

You can also access the switch by using the switch’s command-line interface, refer to the [Cisco Business 250 Series Administration Guide](#) for more information.

Mounting

For mounting and stacking instructions, please see the [Cisco Business 250 Series Administration Guide](#).

Support



For Cisco support and additional documentation, including mounting instructions and the administration guide, visit cisco.com/go/250switches