

Stainless Steel Device Racks

for Carrier 40 Cart™
(Compatible with LNC8008)

Need to fit bigger devices in your Carrier 40 Cart? Install LocknCharge's Stainless Steel Device Racks and expand the device compatibility to large Chromebooks and Laptops.



Follow the steps below to check your device's compatibility.

1

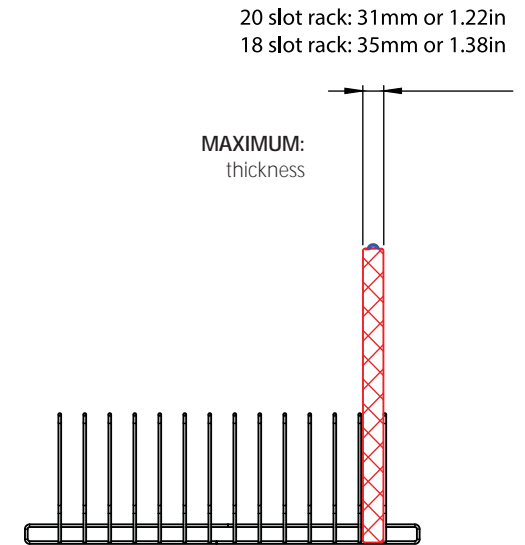
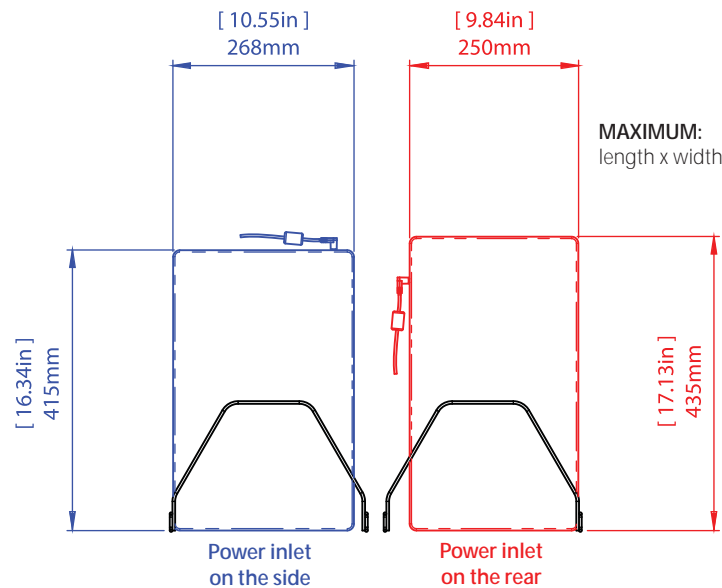
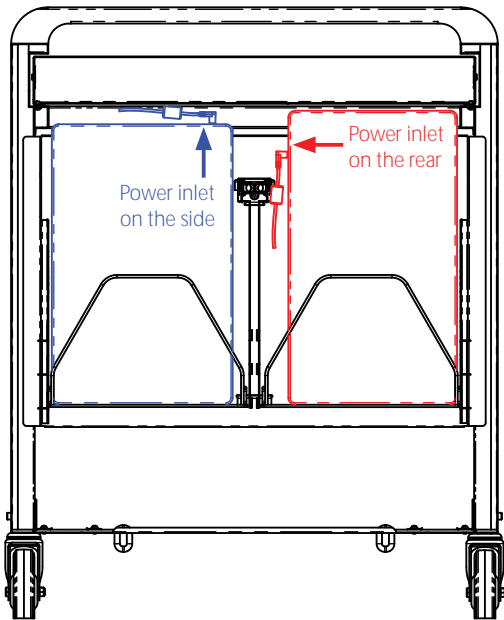
Check where the power inlet is located on your device. Is it on the side or on the rear of your device?

2

Check your device dimensions. Use the **blue** measurements if the power inlet is on the side. Use the **red** measurements if the power inlet is on the rear.

3

If your device is smaller than the measurements shown below, your device is compatible.



CART COMPATIBILITY	MFR. CODE AND DESCRIPTION	TOTAL DEVICES PER CART	MAX DIMENSIONS: POWER ON SIDE (mm)	MAX DIMENSIONS: POWER ON SIDE (inches)	MAX DIMENSIONS: POWER ON REAR (mm)	MAX DIMENSIONS: POWER ON REAR (inches)
LNC8008	LNC8105: Wire rack 20 slots	40	415mm x 268mm x 31mm	16.34in x 10.55in x 1.22in	435mm x 250mm x 31mm	17.13in x 9.84in x 1.22in
LNC8008	LNC8106: Wire rack 18 slots	36	415mm x 268mm x 35mm	16.34in x 10.55in x 1.38in	435mm x 250mm x 35mm	17.13in x 9.84in x 1.38in