



Scan for full manual

## TP-583T/TP-583R Quick Start Guide

This guide helps you install and use your **TP-583T/TP-583R** for the first time.

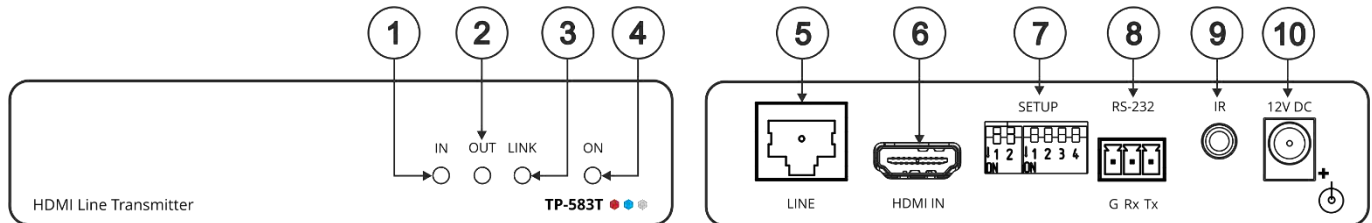
Go to [www.kramerav.com/downloads/TP-583T, TP-583R](http://www.kramerav.com/downloads/TP-583T, TP-583R) to download the latest user manual and check if firmware upgrades are available.

### Step 1: Check what's in the box

- ✓ **TP-583T** HDMI Line Transmitter **or**
- ✓ **TP-583R** HDMI Line Receiver
- ✓ 1 Power adapter and cord
- ✓ 4 Rubber feet
- ✓ 1 Quick start guide
- ✓ 1 Bracket set

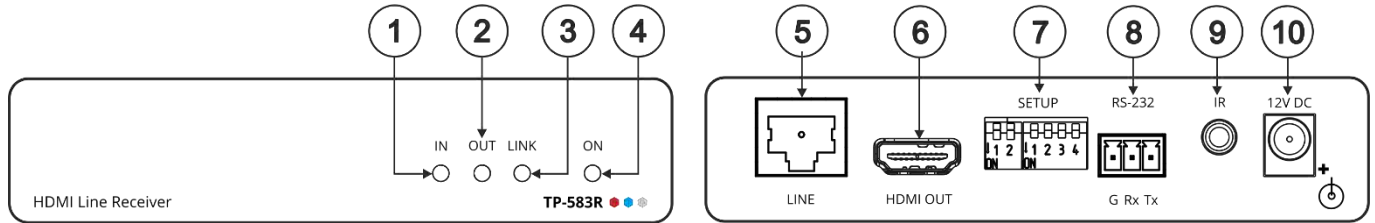
### Step 2: Get to know your TP-583T and TP-583R

TP-583T



#	Feature	Function
1	IN LED	Lights green when an active source device input signal is detected.
2	OUT LED	Lights green when an active, far-end sink (acceptor) connection is detected via the HDBT link.
3	LINK LED	Lights green when an HDBT link is established with the HDBaseT receiver.
4	ON LED	Lights green when the device receives power.
5	LINE RJ-45 Connector	Connect to the RJ-45 HDBT LINE connector on a receiver (for example, <b>TP-583R</b> , <b>TP-780R</b> and so on).
6	HDMI™ IN Connector	Connect to an HDMI source.
7	SETUP DIP-switches	Set the operation DIP-switches.
8	RS-232 (G, Rx, Tx) 3-pin Terminal Block Connector	Connect to a laptop to control the receiver or perform firmware upgrade. Connect to a controller device (for example, <b>SL-240C</b> ) to serially control a remote device (for example, the HDMI OUT acceptor) that is connected to <b>TP-583R</b> .
9	IR 3.5mm Mini Jack Connector	Connect to an external infrared emitter / sensor.
10	12V DC Power Connector	12V DC connector for powering the unit.

## TP-583R



#	Feature	Function
1	IN LED	Lights green when an active, far-end source device input signal is detected via the HDBT link.
2	OUT LED	Lights green when an active sink (acceptor) connection is detected.
3	LINK LED	Lights green when an HDBT link is established with the HDBaseT transmitter.
4	ON LED	Lights green when the device receives power.
5	LINE RJ-45 Connector	Connect to the RJ-45 HDBT LINE connector on a transmitter (for example, <b>TP-583T</b> , <b>TP-780T</b> and so on).
6	HDMI® OUT Connector	Connect to an HDMI acceptor.
7	SETUP DIP-switches	Set the operation DIP-switches.
8	RS-232 (G, Rx, Tx) 3-pin Terminal Block Connector	Connect to a laptop to control the receiver or perform firmware upgrade. Connect to a serially controlled device (for example, the HDMI OUT acceptor) to enable its control by a remote controller device (for example, <b>SL-240C</b> ) that is connected to <b>TP-583T</b> .
9	IR 3.5mm Mini Jack Connector	Connect to an external infrared emitter / sensor.
10	12V DC Power Connector	12V DC connector for powering the unit.

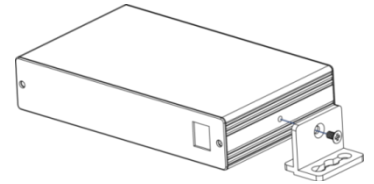
### Step 3: Install TP-583T/TP-583R

Install **TP-583T/TP-583R** using one of the following methods:

Attach the rubber feet and place the unit on a flat surface.

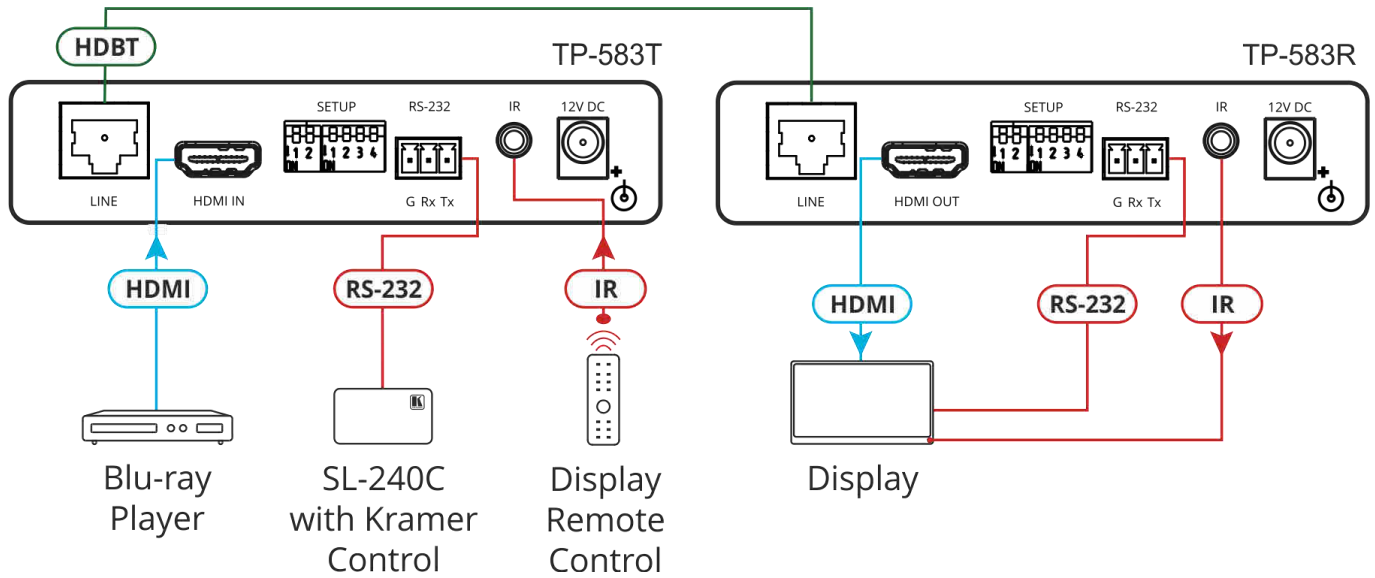
Fasten a bracket (included) on each side of the unit and attach it to a flat surface. For more information go to [www.kramerav.com/downloads/TP-583T, TP-583R](http://www.kramerav.com/downloads/TP-583T, TP-583R).

Mount the unit in a rack using the recommended rack adapter (see [www.kramerav.com/product/TP-583T, TP-583R](http://www.kramerav.com/product/TP-583T, TP-583R)).



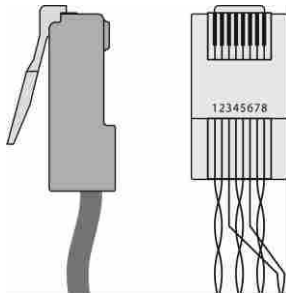
## Step 4: Connect the inputs and outputs

Always switch OFF the power on each device before connecting it to your **TP-583T/TP-583R**. For best results, we recommend that you always use Kramer high-performance cables to connect AV equipment to **TP-583T/TP-583R**.



### RJ-45 Pinout:

For HDBT cables, it is recommended that the cable ground shielding be connected/soldered to the connector shield:




PIN EIA / TIA 568B	
PIN	Wire Color
1	Orange / White
2	Orange
3	Green / White
4	Blue
5	Blue / White
6	Green
7	Brown / White
8	Brown


For optimum range and performance use the recommended Kramer cables available at [www.kramerav.com/product/TP-583T, TP-583R](http://www.kramerav.com/product/TP-583T, TP-583R).

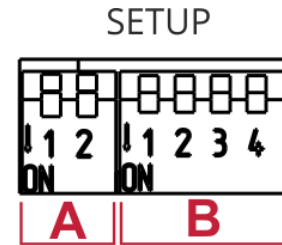
## DIP-Switch Settings

The DIP-switches are used to:

- Set the compression levels and resolutions.
- Enable RS-232 signal extension.
- Upgrade the firmware.
- Determine IR signal pass-through.

 All the DIP-switches are set to **OFF** (up) by default.

 To use your **TP-583T** or **TP-583R** with any other standard HDBaseT extender (**without compression**), verify that DIP-switch 1B is **OFF** (up).





### A – DIP-switch Settings

#	Feature	DIP-switch Settings
1A	Reserved	Set to OFF (up).
2A	Set the Compression Level (for extended range)	OFF (up) – Standard compression level. ON (down) – High compression level for additional extension.

### B – DIP-switch Settings

Changes to DIP-switches 2B and 3B only take effect after power cycling the device.

#	Feature	DIP-switch Settings
1B	Define Compressed Resolutions	OFF (up) – Compress signal resolutions higher than 1080p. ON (down) – Compress all signal resolutions to enable extended reach.
2B, 3B	Define RS-232 Function	OFF (up), OFF (up) – Embed RS-232 data and control signals over the extension line.  Other DIP-switch settings are reserved for firmware upgrade. For further details, contact <a href="mailto:support@kramerav.com">support@kramerav.com</a> .
4B	Define IR Pass-through	OFF (up) – Pass-through the IR signal to the IR port via IR cable. ON (down) – Add IR modulation to the IR output signal (applies only when the IR port is connected to an IR emitter cable).  The IR Pass-through DIP-switch setup depends on the IR control configuration. We recommend that you test which position best suits your application.

## Step 5: Connect the power

Connect the 12V DC power adapter to **TP-583T/TP-583R** and plug it into the mains electricity.

### Safety Instructions



**Caution:** There are no operator serviceable parts inside the unit.

**Warning:** Use only the Kramer Electronics power adapter that is provided with the unit.

**Warning:** Disconnect the power and unplug the unit from the wall before installing.

See [www.KramerAV.com](http://www.KramerAV.com) for updated safety information.