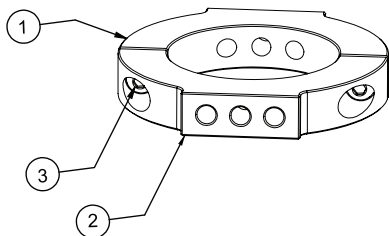


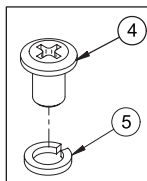
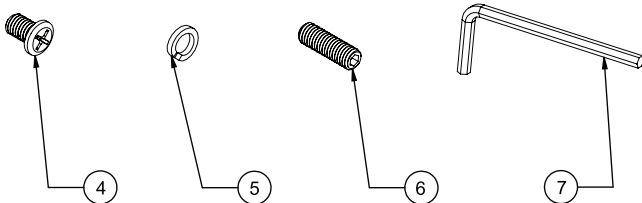


## FEATURES

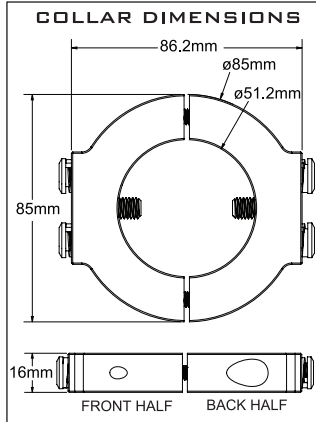
- 2-piece accessory collar for use with  $\varnothing 50\text{mm}$  poles
- Provides attachment for B-Tech System 2 mounts
- Can be retro fitted onto poles



No	PART NAME	QTY
1	FRONT HALF COLLAR	1
2	BACK HALF COLLAR	1
3	M6 x 20mm SCREW	2
4	M8 x 12mm SCREW	4
5	M8 SPRING WASHER	4
6	M8 x 25mm GRUB SCREW	2
7	4mm ALLEN KEY	1



Spare screws and washers are provided for use on the other side of the collar if two accessories need to be attached.



## B-TECH AUDIO VIDEO MOUNTS

HEAD OFFICE

B-Tech International Limited

Bennett House, Long March, Daventry, Northants., NN11 4NR, UK

Email: [info@btechavmounts.com](mailto:info@btechavmounts.com)

©2014 B-Tech International Limited. All rights reserved. B-Tech Audio Video Mounts is a division of B-Tech International Limited. B-Tech, Better By Design and Mountlog are registered trademarks of B-Tech International Limited. All other brands and product names are trademarks of their respective owners. Photographs are for illustrative purposes only. E&OE. B-Tech International Ltd, it's distributors and dealers are not responsible for damage or injury caused by improper installation, improper use, modifications, installations over the specified weight capacity and/or failure to observe these safety instructions. In such cases, any warranty will expire. It is recommended that this product should only be installed by a qualified professional / installer. B-Tech does not claim any liability for any difficulties that may arise from the interpretation of information contained in these instructions. Failure to mount this product correctly may lead to serious injury and/or death. Please check carefully to make sure there are no missing or defective parts - defective parts must never be used. In the event of missing and/or defective parts, or technical questions, please contact an authorised dealer.

[www.btechavmounts.com](http://www.btechavmounts.com)

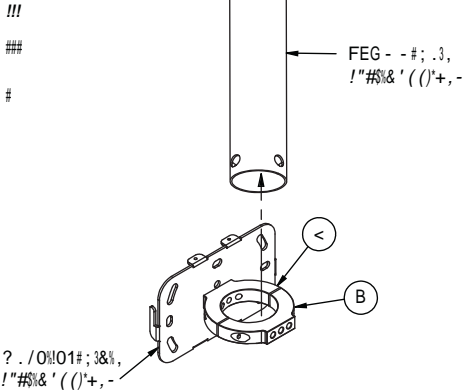
AMA-BT7841-V1-PROBX-0714-44

MADE IN P.R.C.

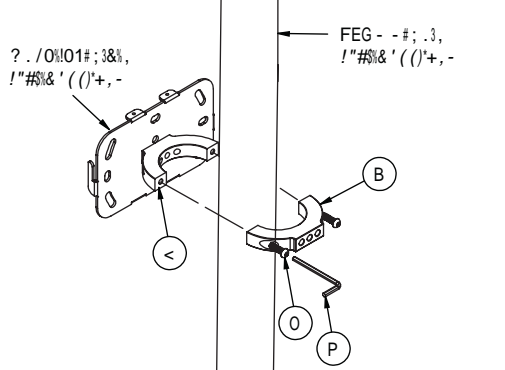
# INSTALLATION INSTRUCTIONS

! "#\$%&'()\*+,-./:;<=>?@A#B#C#D#E#F#G#H#I#J#K#L#M#N#O#P#Q#R#S#T#U#V#W#X#Y#Z#

! "#\$%&'()\*+,-./:;<=>?@A#B#C#D#E#F#G#H#I#J#K#L#M#N#O#P#Q#R#S#T#U#V#W#X#Y#Z#

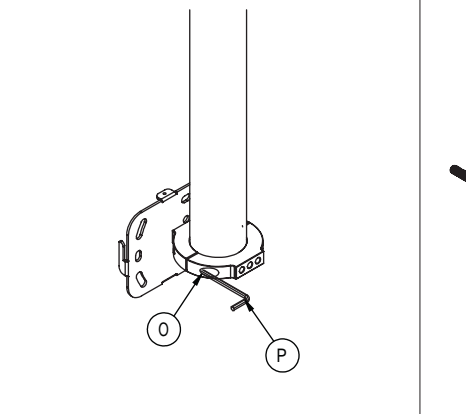


! "#\$%&'()\*+,-./:;<=>?@A#B#C#D#E#F#G#H#I#J#K#L#M#N#O#P#Q#R#S#T#U#V#W#X#Y#Z#

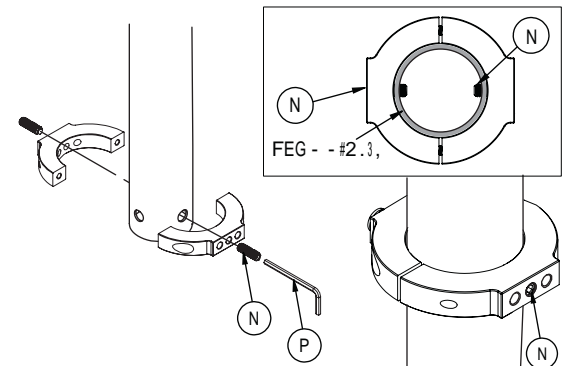


! "#\$%&'()\*+,-./:;<=>?@A#B#C#D#E#F#G#H#I#J#K#L#M#N#O#P#Q#R#S#T#U#V#W#X#Y#Z#

! "#\$%&'()\*+,-./:;<=>?@A#B#C#D#E#F#G#H#I#J#K#L#M#N#O#P#Q#R#S#T#U#V#W#X#Y#Z#



! "#\$%&'()\*+,-./:;<=>?@A#B#C#D#E#F#G#H#I#J#K#L#M#N#O#P#Q#R#S#T#U#V#W#X#Y#Z#



! "#\$%&'()\*+,-./:;<=>?@A#B#C#D#E#F#G#H#I#J#K#L#M#N#O#P#Q#R#S#T#U#V#W#X#Y#Z#