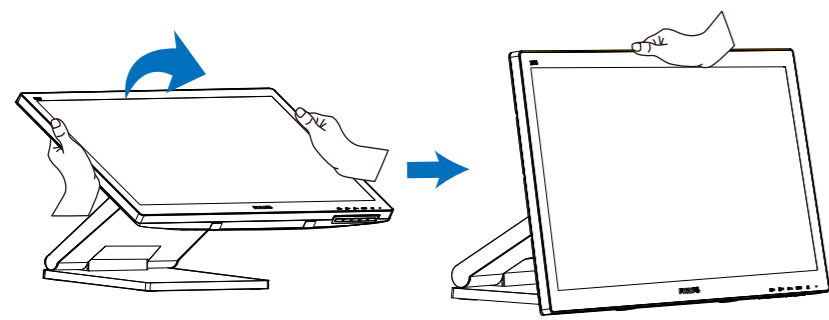
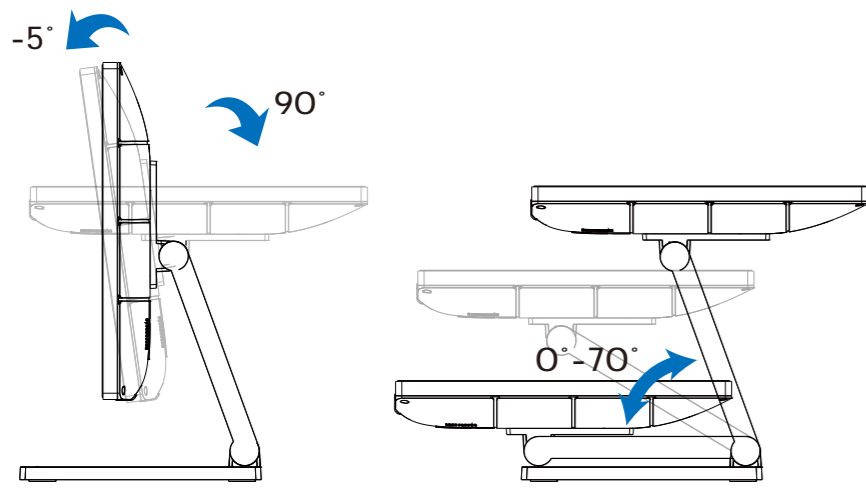


4



Register your product and get support at [www.philips.com/support](http://www.philips.com/support)



FAQ



Software SmartControl



User Manual

Version: M92224BQ1WWT

2020 © TOP Victory Investments Ltd. All rights reserved.

This product has been manufactured by and is sold under the responsibility of Top Victory Investments Ltd., and Top Victory Investments Ltd. is the warrantor in relation to this product. Philips and the Philips Shield Emblem are registered trademarks of Koninklijke Philips N.V. and are used under license.

Specifications are subject to change without notice.

**HDMI**

The terms HDMI, HDMI High-Definition Multimedia Interface, and the HDMI Logo are trademarks or registered trademarks of HDMI Licensing Administrator, Inc.

[www.philips.com](http://www.philips.com)

Energy Labelling



222B9T



242B9T



242B9TL



Printed in China



Q41G24M181352G

**PHILIPS**

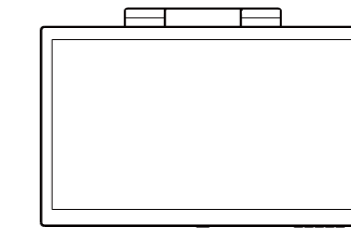
B Line

222B9/242B9



# Quick Start

Register your product and get support at [www.philips.com/welcome](http://www.philips.com/welcome)



Quick Start



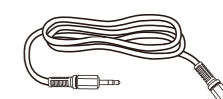
\* CD



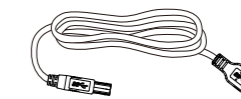
\* Stylus



AC/DC Adapter



\* Audio cable



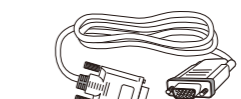
\*USB A-B



\* DVI



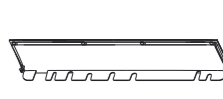
\* DP



\* VGA



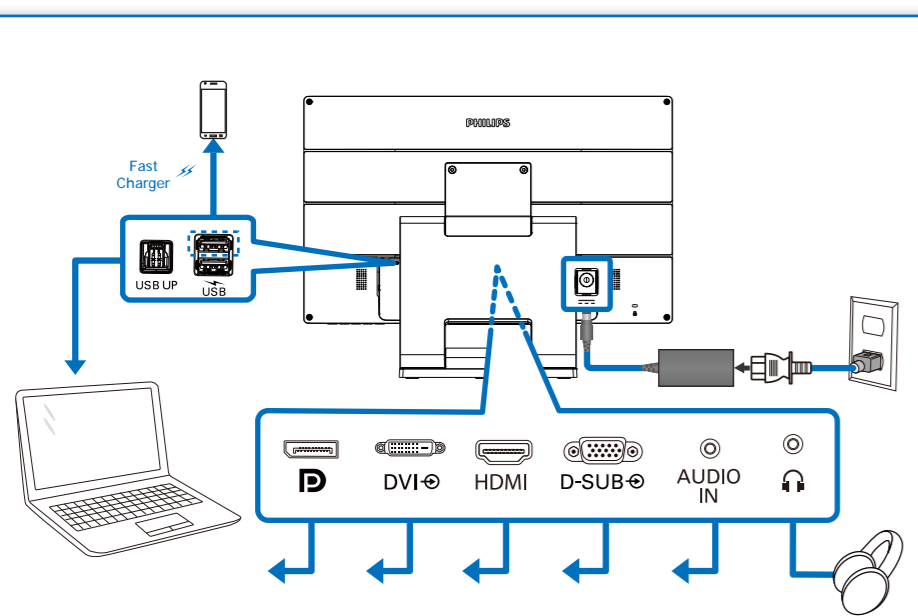
\* HDMI



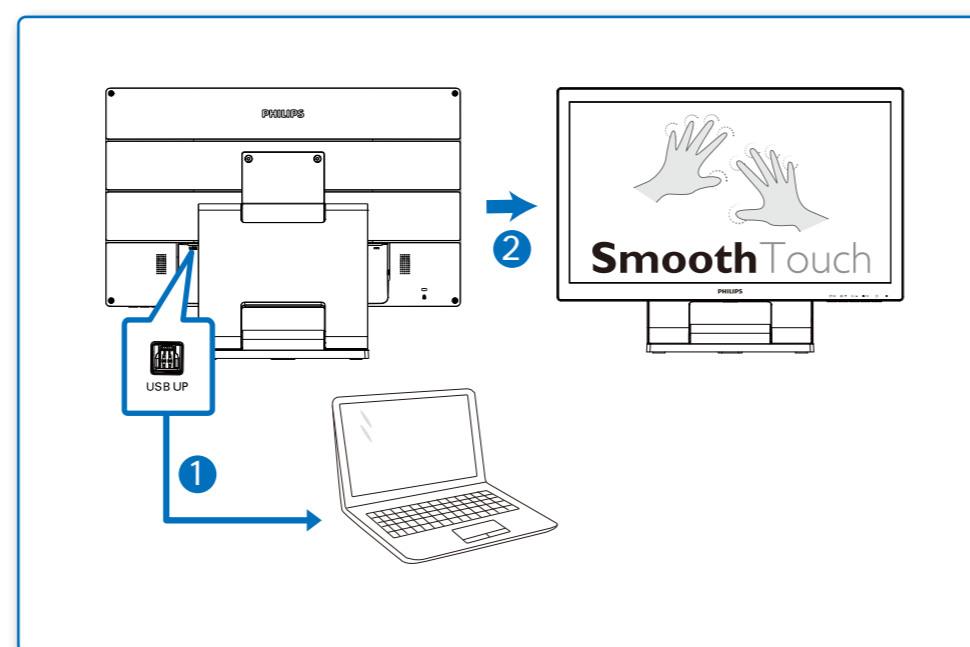
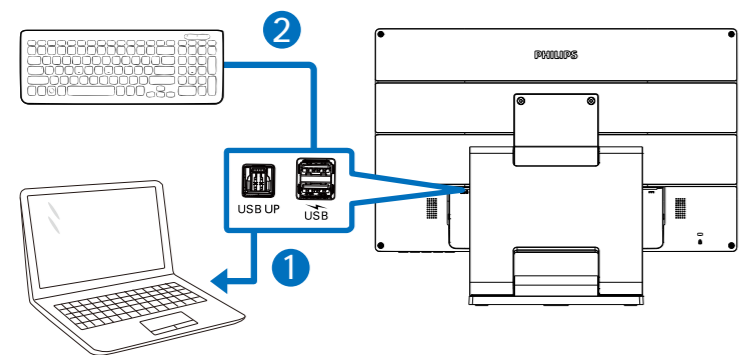
I/O Cover

\* Different according to region.  
Display design may differ from those illustrated.

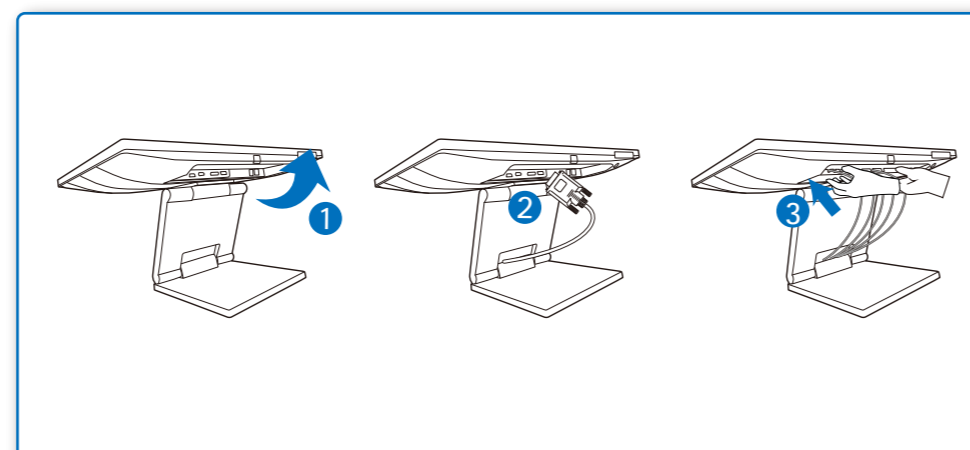
1



USB hub



2



3

