

# Cable Manager

CMVBMOD



\*actual product may vary from photos

FR: Guide de l'utilisateur - [fr.startech.com](http://fr.startech.com)  
DE: Bedienungsanleitung - [de.startech.com](http://de.startech.com)  
ES: Guía del usuario - [es.startech.com](http://es.startech.com)  
NL: Gebruiksaanwijzing - [nl.startech.com](http://nl.startech.com)  
PT: Guia do usuário - [pt.startech.com](http://pt.startech.com)  
IT: Guida per l'uso - [it.startech.com](http://it.startech.com)

For the latest information, technical specifications, and support for this product, please visit [www.StarTech.com/CMVBMOD](http://www.StarTech.com/CMVBMOD).

## **Use of Trademarks, Registered Trademarks, and other Protected Names and Symbols**

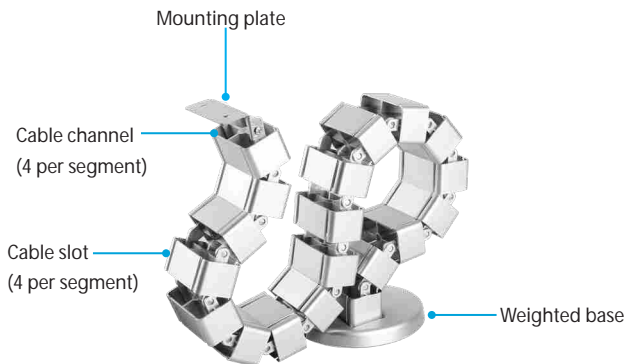
PHILLIPS® is a registered trademark of Phillips Screw Company in the United States or other countries.

This manual may make reference to trademarks, registered trademarks, and other protected names and/or symbols of third-party companies not related in any way to StarTech.com. Where they occur these references are for illustrative purposes only and do not represent an endorsement of a product or service by StarTech.com, or an endorsement of the product(s) to which this manual applies by the third-party company in question. Regardless of any direct acknowledgement elsewhere in the body of this document, StarTech.com hereby acknowledges that all trademarks, registered trademarks, service marks, and other protected names and/or symbols contained in this manual and related documents are the property of their respective holders.

# Table of Contents

Product diagram .....	1
Application photo.....	1
Product dimensions.....	2
Package contents .....	3
Requirements .....	3
Install the cable manager .....	3
Technical support.....	4
Warranty information.....	4

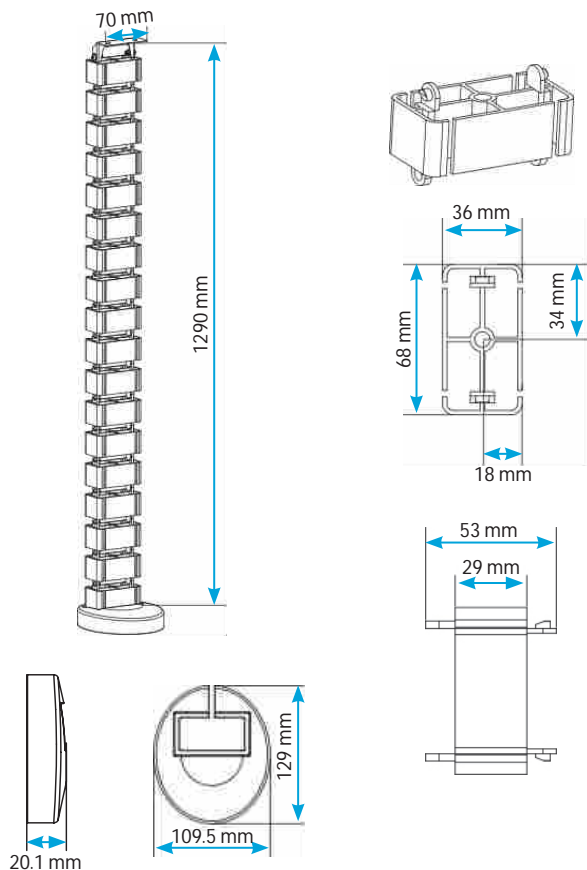
# Product diagram



## Application photo



# Product dimensions



# Package contents

- 1 x cable manager (ships unassembled)
- 2 x M5x20 mm screws
- 1 x quick-start guide

## Requirements

- Phillips type screwdriver

Requirements are subject to change. For the latest requirements, please visit [www.StarTech.com/CMVBMOD](http://www.StarTech.com/CMVBMOD).

## Install the cable manager

1. To attach the weighted base, select one of the segments without the mounting plate and connect it to the weighted base.
2. Connect the other segment without the mounting plate to the segment you connected to the weighted base.
3. Connect the remaining segment to the middle segment.
4. If you want to insert your cables before you attach the cable organizer to the desk, thread the cables through any of the four channels in the cable organizer.
5. Position the mounting plate on the underside of a desk or table in a location that is suitable for your setup.
6. Insert the two M5x20 mm screws through the holes in the desk attachment and into the desk, and use a Phillips type screwdriver to tighten the screws in place.
7. To insert your cables, do one of the following:
  - At the top of the cable organizer, thread the cables through any of the four channels in the cable organizer and out the bottom of the weighted base.
  - Snap the cables into any of the cable slots in each of the segments in the cable organizer.

# Technical support

StarTech.com's lifetime technical support is an integral part of our commitment to provide industry-leading solutions. If you ever need help with your product, visit [www.startech.com/support](http://www.startech.com/support) and access our comprehensive selection of online tools, documentation, and downloads.

For the latest drivers/software, please visit [www.startech.com/downloads](http://www.startech.com/downloads)

## Warranty information

This product is backed by a **ve**-year warranty.

StarTech.com warrants its products against defects in materials and workmanship for the periods noted, following the initial date of purchase. During this period, the products may be returned for repair, or replacement with equivalent products at our discretion. The warranty covers parts and labor costs only. StarTech.com does not warrant its products from defects or damages arising from misuse, abuse, alteration, or normal wear and tear.

### Limitation of Liability

In no event shall the liability of StarTech.com Ltd. and StarTech.com USA LLP (or their officers, directors, employees or agents) for any damages (whether direct or indirect, special, punitive, incidental, consequential, or otherwise), loss of profits, loss of business, or any pecuniary loss, arising out of or related to the use of the product exceed the actual price paid for the product. Some states do not allow the exclusion or limitation of incidental or consequential damages. If such laws apply, the limitations or exclusions contained in this statement may not apply to you.

Hard-to-find made easy. At StarTech.com, that isn't a slogan. It's a promise.

StarTech.com is your one-stop source for every connectivity part you need. From the latest technology to legacy products — and all the parts that bridge the old and new — we can help you find the parts that connect your solutions.

We make it easy to locate the parts, and we quickly deliver them wherever they need to go. Just talk to one of our tech advisors or visit our website. You'll be connected to the products you need in no time.

Visit [www.startech.com](http://www.startech.com) for complete information on all StarTech.com products and to access exclusive resources and time-saving tools.

*StarTech.com is an ISO 9001 Registered manufacturer of connectivity and technology parts. StarTech.com was founded in 1985 and has operations in the United States, Canada, the United Kingdom and Taiwan servicing a worldwide market.*