

HDMI® over CAT6 extender with 4-port USB hub - up to 165 ft (50m)

ST121USBHD

- DE: Bedienungsanleitung - de.startech.com
- FR: Guide de l'utilisateur - fr.startech.com
- ES: Guía del usuario - es.startech.com
- IT: Guida per l'uso - it.startech.com
- NL: Gebruiksaanwijzing - nl.startech.com
- PT: Guia do usuário - pt.startech.com

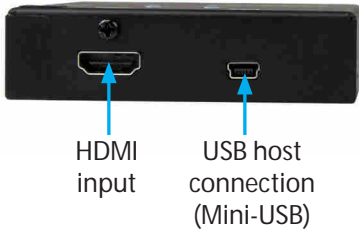
Packaging contents

- 1 x HDMI over CAT6 transmitter
- 1 x HDMI over CAT6 receiver
- 2 x Ethernet cables
- 2 x USB to Mini-USB cables
- 1 x universal power adapter (NA/EU/UK/AU)
- 1 x mounting kit
- 1 x quick install guide

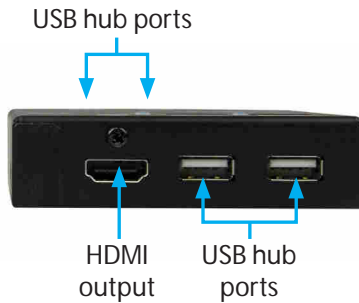
Product overview

Front view

Transmitter Unit



Receiver Unit



System requirements

- 1 x HDMI® enabled video source device with cabling (i.e. computer, Blu-ray Player)
- 1 x HDMI enabled display with cabling (i.e. television, projector)
- 2 x available USB power source or AC electrical outlet at the location for the transmitter and receiver
- (Optional) 4x USB peripheral devices

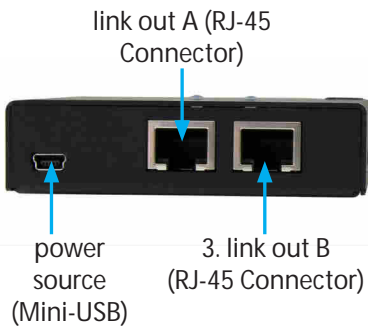
Preparing your site

1. Determine where the local video source (i.e. computer, Blu-ray Player) will be located and set up the device.
2. Determine where the remote display will be located and place or mount the display appropriately.

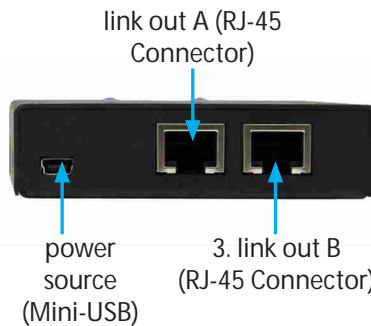
Notes: Please ensure that the transmitter and receiver units are situated near an available AC electrical outlet or a USB power source. Make sure all devices are turned off before beginning installation.

Rear view

Transmitter Unit



Receiver Unit



Hardware Installation

1. Install Transmitter Unit

- a) Position the transmitter unit near the video source (i.e. Computer, Blu-ray Player).
- b) Connect an HDMI cable from the video source device (i.e. computer, Blu-ray Player) to the HDMI in port on the transmitter Unit.
- c) **(Optional)** If you've chosen to connect USB peripheral devices using the USB hub, please connect a USB to Mini-USB cable (not included) from the USB host connection port on the transmitter to an available USB port on your source device (i.e. computer).

Note: All USB ports on this extender are USB 2.0

Note: While two USB to Mini-USB cables are included, these are required to provide power to the extender and receiver. A third cable that is not included is required for console support.

*actual product may vary from photos

d) Connect a power source to the transmitter unit, by connecting one of the included USB to Mini-USB cables from the power source port on the transmitter unit to a USB power source. If a USB power source is not available, you can connect the included power adapter to an electrical outlet.

2. Install RJ45 terminated Cat5e or CAT6 Ethernet Cables

- a) Connect an RJ45 terminated Cat5e/6 Ethernet cable (not included) to the link out A (RJ-45 connector) on the transmitter unit.
- b) Connect another RJ45 terminated Cat5e/6 Ethernet cable (not included) to the link out B (RJ-45 connector) on the transmitter unit.

Note: If you are using surface cabling, ensure you have enough Ethernet cabling to connect the Host Unit to the Remote Unit's location, and that each end is terminated with an RJ45 connector. The cabling should not go through any networking equipment (i.e. router, switch).

OR

If you are using premises cabling, ensure that the Ethernet cabling between the Host Unit and the Remote Unit has been properly terminated in a wall outlet in each location and there is a patch cable long enough to connect the Remote Unit and the Host Unit to their respective outlets. The cabling should not go through any networking equipment (i.e. router, switch).

- c) Connect the other end of the Ethernet cable (from link out A) to the link in A (RJ-45 connector) on the receiver unit.
- d) Connect the other end of the Ethernet cable (from link out B) to the link in B (RJ-45 connector) on the receiver unit.

Note: The performance of this extender will vary depending on the length and type of your cabling. Please review the chart below to determine the best solution for your setup.

Cable type	Distance	Max. resolution
Shielded CAT6	50m (maximum)	1080i
	40m	1080p
Unshielded CAT6	30m (maximum)	1080p
Shielded and unshielded CAT5e	15m (maximum)	1080p

3. Install Receiver Unit

- a) Position the receiver unit near the video display (i.e. television, projector).
- b) Connect the video source to the HDMI out port on the receiver unit using an HDMI cable (not included).
- c) (Optional) If you've chosen to connect USB peripheral devices through the extender, connect each of your peripheral devices to one of the available USB hub ports on the receiver unit.
- d) Connect a power source to the receiver unit, by connecting one of the included USB to Mini-USB cables from the power source port on the transmitter unit to a USB power source. If a USB power source is not available, you can connect the included power adapter to an electrical outlet.

4. Your source video image will now appear on the remote video display, and your USB peripheral devices can be operated from the remote location.

FCC Compliance Statement

This equipment has been tested and found to comply with the limits for a Class B digital device, pursuant to part 15 of the FCC Rules. These limits are designed to provide reasonable protection against harmful interference in a residential installation. This equipment generates, uses and can radiate radio frequency energy and, if not installed and used in accordance with the instructions, may cause harmful interference to radio communications. However, there is no guarantee that interference will not occur in a particular installation. If this equipment does cause harmful interference to radio or television reception, which can be determined by turning the equipment off and on, the user is encouraged to try to correct the interference by one or more of the following measures:

- Reorient or relocate the receiving antenna.
- Increase the separation between the equipment and receiver.
- Connect the equipment into an outlet on a circuit different from that to which the receiver is connected.
- Consult the dealer or an experienced radio/TV technician for help.

This device complies with part 15 of the FCC Rules. Operation is subject to the following two conditions: (1) This device may not cause harmful interference, and (2) this device must accept any interference received, including interference that may cause undesired operation. Changes or modifications not expressly approved by StarTech.com could void the user's authority to operate the equipment.

Industry Canada Statement

This Class B digital apparatus complies with Canadian ICES-003.
Cet appareil numérique de la classe [B] est conforme à la norme NMB-003 du Canada.
CAN ICES-3 (B)/NMB-3(B)

Use of Trademarks, Registered Trademarks, and other Protected Names and Symbols

This manual may make reference to trademarks, registered trademarks, and other protected names and/or symbols of third-party companies not related in any way to StarTech.com. Where they occur these references are for illustrative purposes only and do not represent an endorsement of a product or service by StarTech.com, or an endorsement of the product(s) to which this manual applies by the third-party company in question. Regardless of any direct acknowledgement elsewhere in the body of this document, StarTech.com hereby acknowledges that all trademarks, registered trademarks, service marks, and other protected names and/or symbols contained in this manual and related documents are the property of their respective holders.

Technical Support

StarTech.com's lifetime technical support is an integral part of our commitment to provide industry-leading solutions. If you ever need help with your product, visit www.startech.com/support and access our comprehensive selection of online tools, documentation, and downloads. For the latest drivers/software, please visit www.startech.com/downloads

Warranty Information

This product is backed by a two year warranty. StarTech.com warrants its products against defects in materials and workmanship for the periods noted, following the initial date of purchase. During this period, the products may be returned for repair, or replacement with equivalent products at our discretion. The warranty covers parts and labor costs only. StarTech.com does not warrant its products from defects or damages arising from misuse, abuse, alteration, or normal wear and tear.

Limitation of Liability

In no event shall the liability of StarTech.com Ltd. and StarTech.com USA LLP (or their officers, directors, employees or agents) for any damages (whether direct or indirect, special, punitive, incidental, consequential, or otherwise), loss of profits, loss of business, or any pecuniary loss, arising out of or related to the use of the product exceed the actual price paid for the product. Some states do not allow the exclusion or limitation of incidental or consequential damages. If such laws apply, the limitations or exclusions contained in this statement may not apply to you.