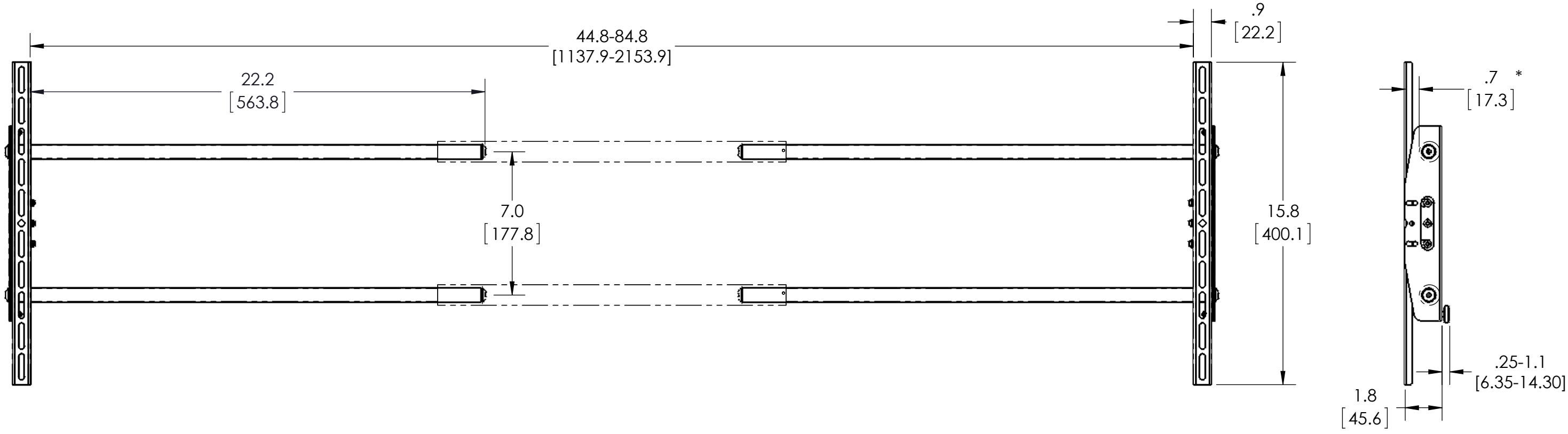
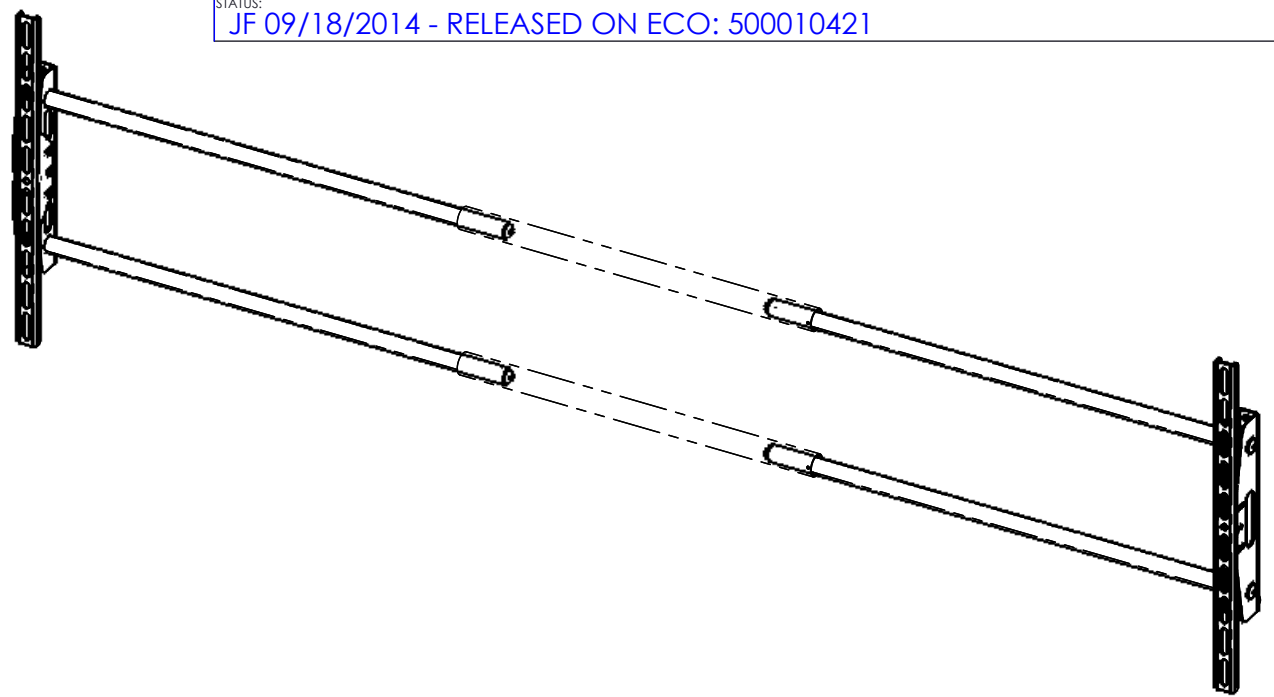


FUSION WALL MOUNT SETUP

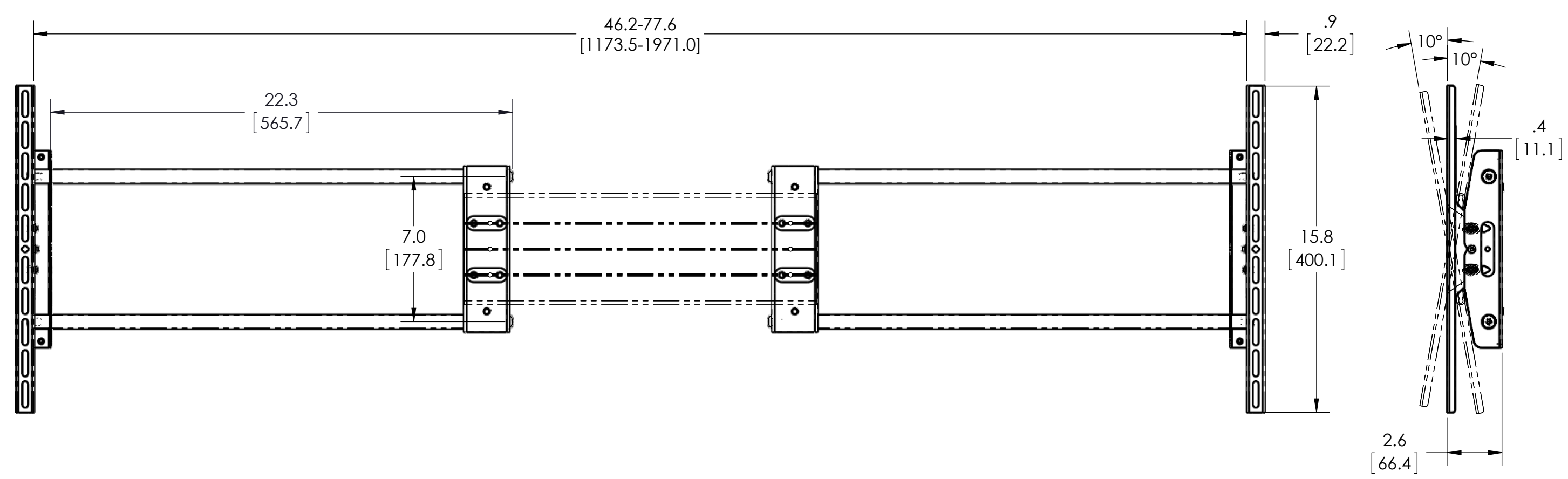


- (*)NOTES:
- TYPICAL FUSION INTERFACES ARE 0.625" [15.9] DEEP

THE INFORMATION AND DESIGNS CONTAINED IN THIS DRAWING ARE CONFIDENTIAL AND THE PROPRIETARY PROPERTY OF MILESTONE AV TECHNOLOGIES NEITHER THIS DESIGN NOR ANY INFORMATION CONTAINED IN THIS DRAWING MAY BE REPRODUCED OR DISCLOSED TO OTHERS WITHOUT THE EXPRESS WRITTEN CONSENT OF MILESTONE AV TECHNOLOGIES.

CAD GENERATED DRAWING, DO NOT MANUALLY UPDATE.		<p>6436 CITY WEST PKWY EDEN PRAIRIE MN, 55344 PHONE: 866-977-3901 FAX: 877-894-6918</p>
DRAWN BY	JF 8/29/2014	
ENG APPROVAL		DESCRIPTION
MFG APPROVAL		FCA841 FUSION SIDE SPEAKER ADAPTOR, XL
QA APPROVAL		MODEL NO.
		FCA841
SHEET 1 OF 2	SCALE 1:5	SIZE B
		DWG. NO. TECH-000631
		REV. 00

CEILING/CART MOUNT SET-UP



- (*)NOTES:
- TYPICAL SINGLE DISPLAY MODELS HAVE INTERFACE DEPTHS .5" [12.7]
 - TYPICAL DUAL DISPLAY MODELS HAVE INTERFACE DEPTHS 1.9" [48.3]
 - FCA623 DUAL MONITOR INTERFACES ARE 1.4" DEEP [35.6]

THE INFORMATION AND DESIGNS CONTAINED IN THIS DRAWING ARE CONFIDENTIAL AND THE PROPRIETARY PROPERTY OF MILESTONE AV TECHNOLOGIES NEITHER THIS DESIGN NOR ANY INFORMATION CONTAINED IN THIS DRAWING MAY BE REPRODUCED OR DISCLOSED TO OTHERS WITHOUT THE EXPRESS WRITTEN CONSENT OF MILESTONE AV TECHNOLOGIES.

CAD GENERATED DRAWING, DO NOT MANUALLY UPDATE.		<p>6436 CITY WEST PKWY EDEN PRAIRIE MN, 55344 PHONE: 866-977-3901 FAX: 877-894-6918</p>	
DRAWN BY	JF 8/29/2014		
ENG APPROVAL		DESCRIPTION	
MFG APPROVAL		FCA841 FUSION SIDE SPEAKER ADAPTOR, XL	
QA APPROVAL		MODEL NO.	
		FCA841	
SHEET 2 OF 2	SCALE 1:5	SIZE B	DWG. NO. TECH-000631
			REV. 00