

## 2U Vented Adjustable Sliding Rack Shelf with Cable Management

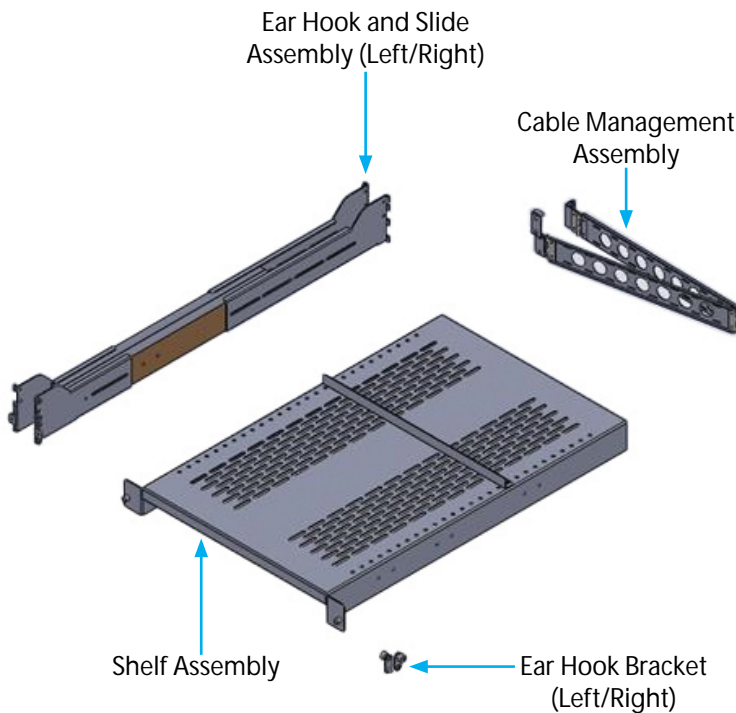
UNISLDSHF19x

DE: Bedienungsanleitung - de.startech.com  
FR: Guide de l'utilisateur - fr.startech.com  
ES: Guía del usuario - es.startech.com  
IT: Guida per l'uso - it.startech.com  
NL: Gebruiksaanwijzing - nl.startech.com  
PT: Guia do usuário - pt.startech.com

### Packaging Contents

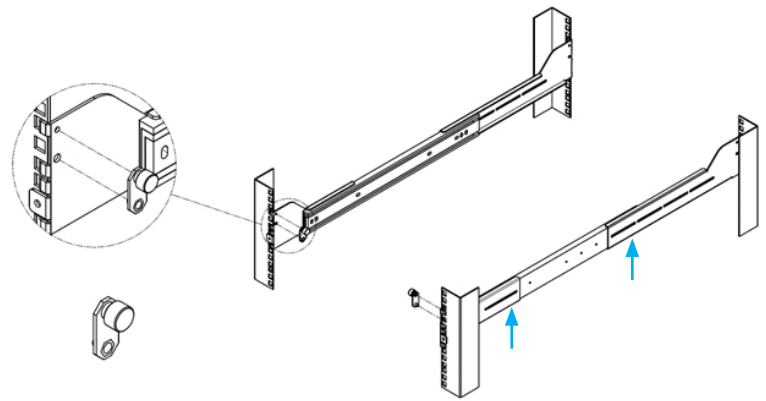
- 1 x Shelf Assembly
- 2 x Ear Hook and Slide Assembly (Left / Right)
- 2 x Ear Hook Bracket (Left / Right)
- 1 x Cable Management Assembly
- 1 x Instruction Manual

### Product Overview

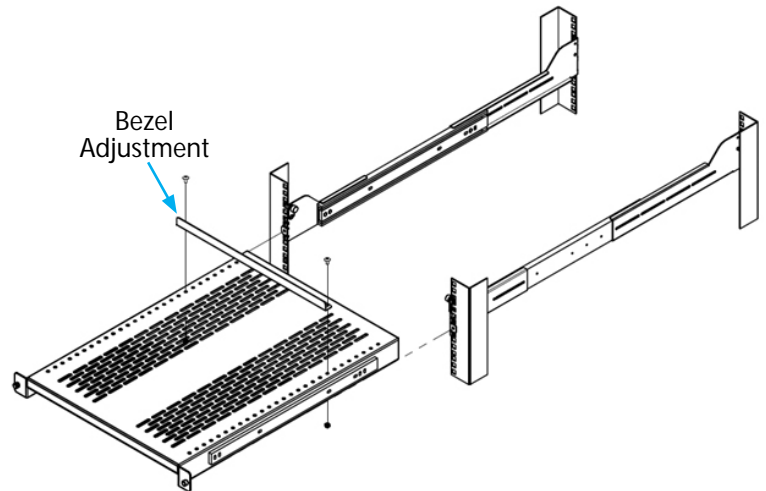


### Installation

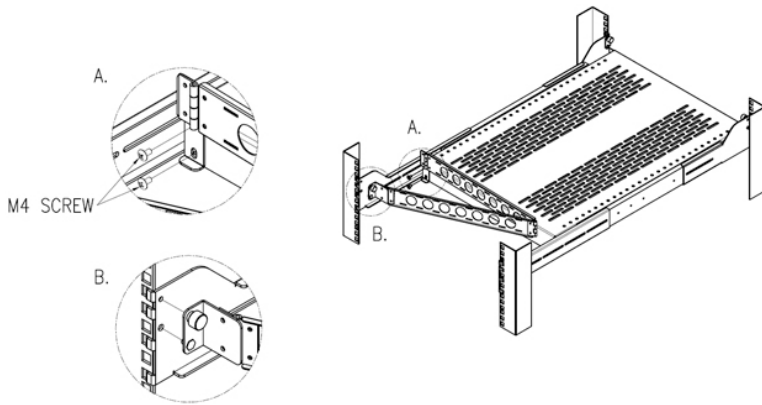
1. Loosen the screws along the Ear Hook and Slide Assembly and adjust the rail to the depth of your rack.
2. Install the Ear Hook and Slide Assembly into your rack, tightening the screws loosened in the previous step, and fasten to the front of the rack with the Ear Hook Bracket (one per side).



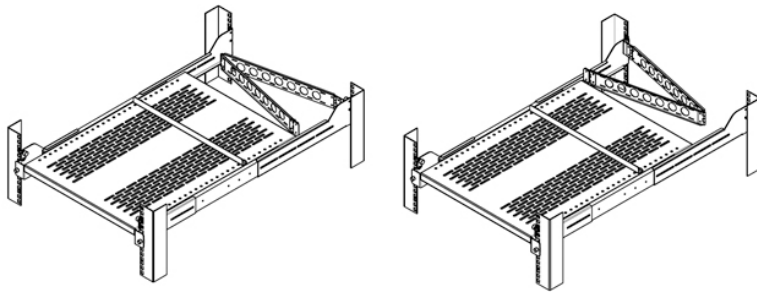
3. Slide the shelf assembly onto the rails.  
**Note:** The bezel position can be adjusted on the shelf as shown in the diagram



Attach the Cable Management Assembly to the back of the rack as shown.



**Note:** The Cable Management assembly can be attached to either side of the shelf.



## Specifications

	UNISLDSHF192	UNISLDSHF19M	UNISLDSHF19H
<b>U Height</b>	2U		
<b>Frame Type</b>	Steel		
<b>Mounting Options</b>	Front Mount (Front and Rear)		
<b>Weight Capacity</b>	50 lbs [22.6 kg]	125 lbs (56.7 kg)	200 lbs [90.7 kg]
<b>Min Mounting Depth</b>	27.65in (702.2mm)	27.65in (702.2mm)	29.39in (746.5mm)
<b>Max Mounting Depth</b>	31.58in (802.2mm)	31.58in (802.2mm)	31.77in (807mm)
<b>External Dimensions (WxHxD)</b>	19 x 3.35 x 24in (483 x 85.2 x 609.6mm)	19 x 3.35 x 24in (483 x 85.2 x 609.6mm)	19 x 3.43 x 26in (483 x 87.2 x 660.4mm)

## FCC Compliance Statement

This equipment has been tested and found to comply with the limits for a Class B digital device, pursuant to part 15 of the FCC Rules. These limits are designed to provide reasonable protection against harmful interference in a residential installation. This equipment generates, uses and can radiate radio frequency energy and, if not installed and used in accordance with the instructions, may cause harmful interference to radio communications. However, there is no guarantee that interference will not occur in a particular installation. If this equipment does cause harmful interference to radio or television reception, which can be determined by turning the equipment off and on, the user is encouraged to try to correct the interference by one or more of the following measures:

- Reorient or relocate the receiving antenna.
- Increase the separation between the equipment and receiver.
- Connect the equipment into an outlet on a circuit different from that to which the receiver is connected.
- Consult the dealer or an experienced radio/TV technician for help.

## Use of Trademarks, Registered Trademarks, and other Protected Names and Symbols

This manual may make reference to trademarks, registered trademarks, and other protected names and/or symbols of third-party companies not related in any way to StarTech.com. Where they occur these references are for illustrative purposes only and do not represent an endorsement of a product or service by StarTech.com, or an endorsement of the product(s) to which this manual applies by the third-party company in question. Regardless of any direct acknowledgement elsewhere in the body of this document, StarTech.com hereby acknowledges that all trademarks, registered trademarks, service marks, and other protected names and/or symbols contained in this manual and related documents are the property of their respective holders.

## Technical Support

StarTech.com's lifetime technical support is an integral part of our commitment to provide industry-leading solutions. If you ever need help with your product, visit [www.startech.com/support](http://www.startech.com/support) and access our comprehensive selection of online tools, documentation, and downloads.

For the latest drivers/software, please visit [www.startech.com/downloads](http://www.startech.com/downloads)

## Warranty Information

This product is backed by a two year warranty.

In addition, StarTech.com warrants its products against defects in materials and workmanship for the periods noted, following the initial date of purchase. During this period, the products may be returned for repair, or replacement with equivalent products at our discretion. The warranty covers parts and labor costs only. StarTech.com does not warrant its products from defects or damages arising from misuse, abuse, alteration, or normal wear and tear.

## Limitation of Liability

In no event shall the liability of StarTech.com Ltd. and StarTech.com USA LLP (or their officers, directors, employees or agents) for any damages (whether direct or indirect, special, punitive, incidental, consequential, or otherwise), loss of profits, loss of business, or any pecuniary loss, arising out of or related to the use of the product exceed the actual price paid for the product. Some states do not allow the exclusion or limitation of incidental or consequential damages. If such laws apply, the limitations or exclusions contained in this statement may not apply to you.