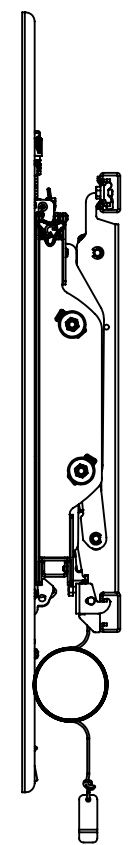
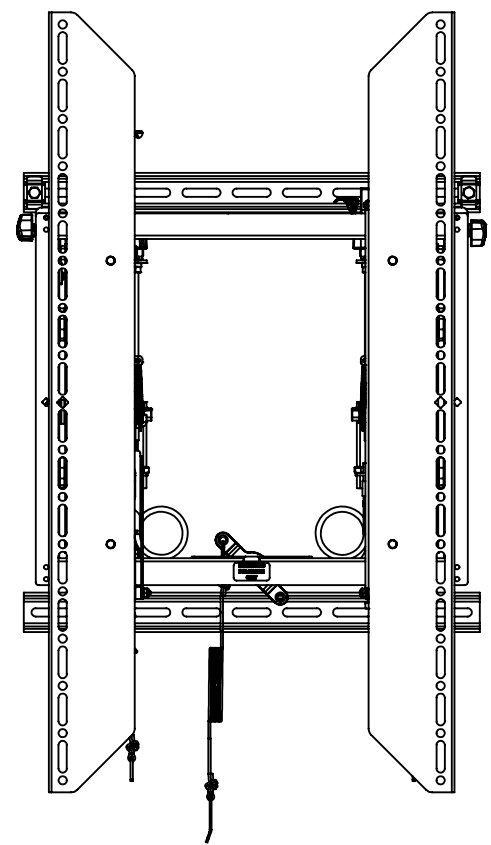
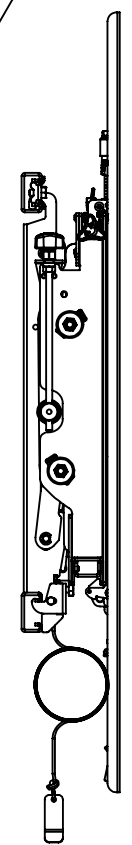
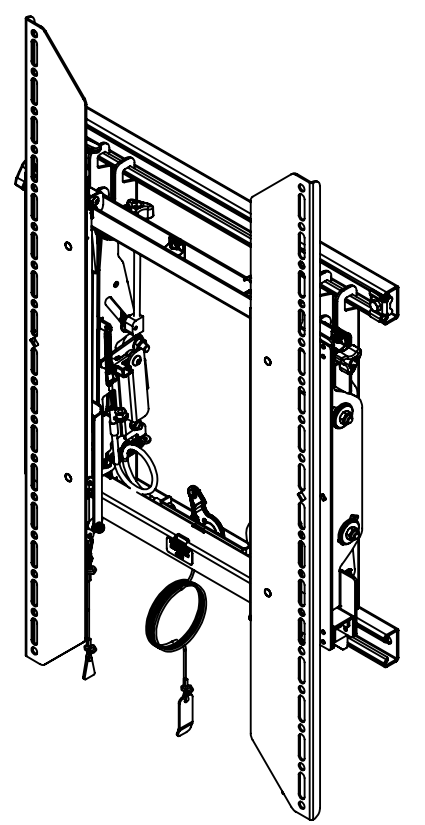
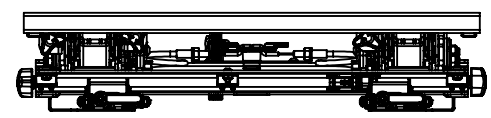
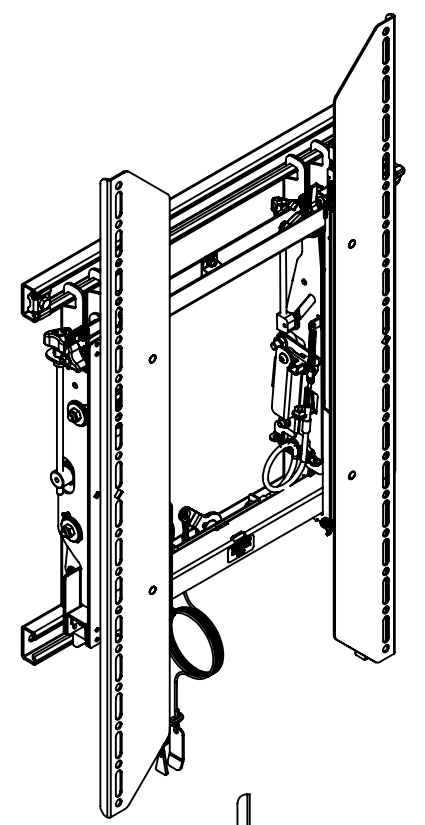



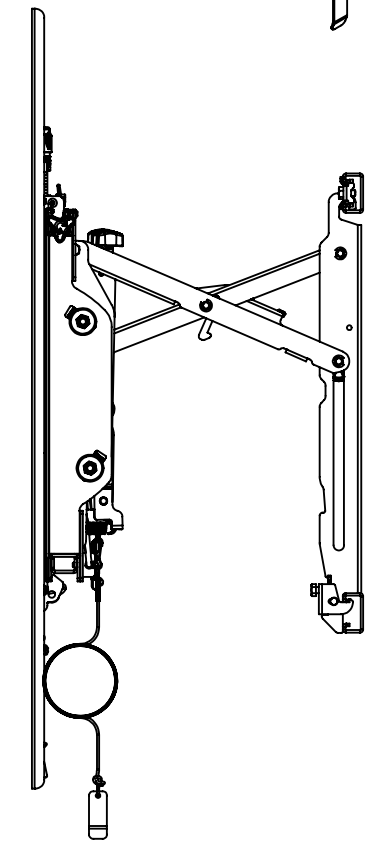
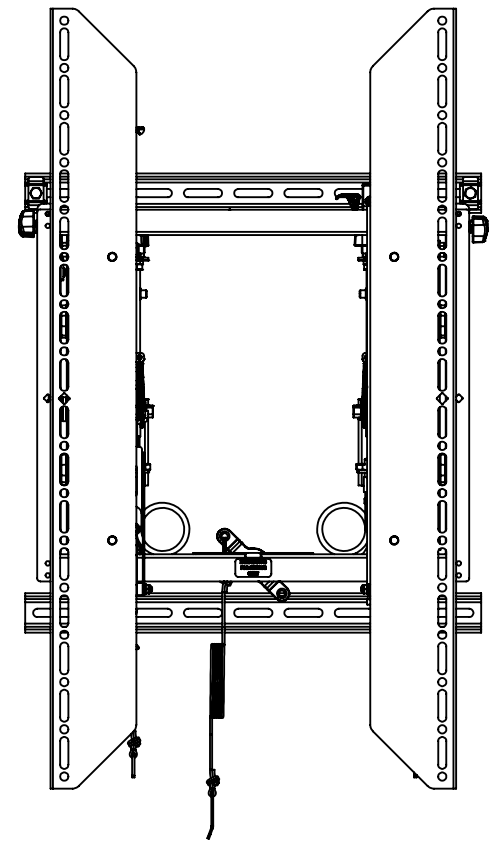
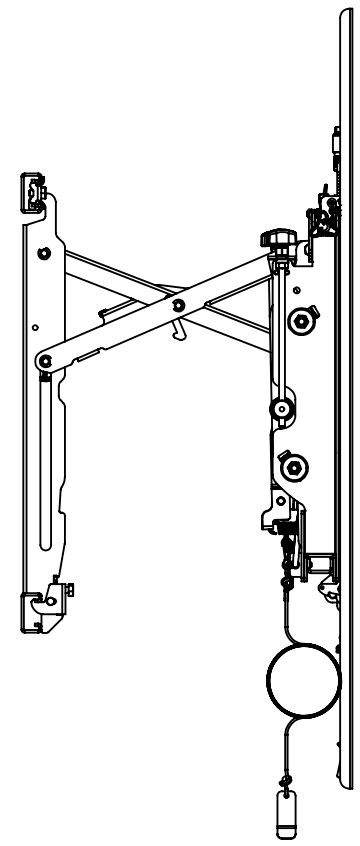
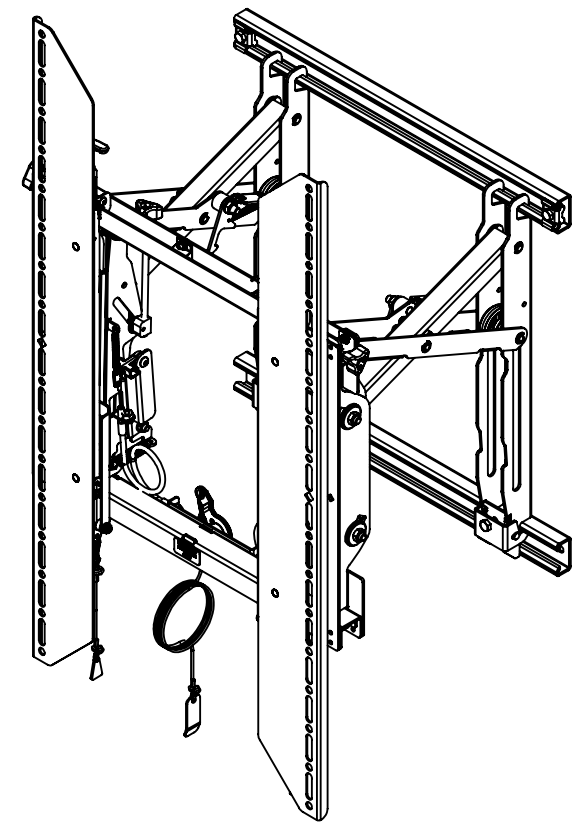
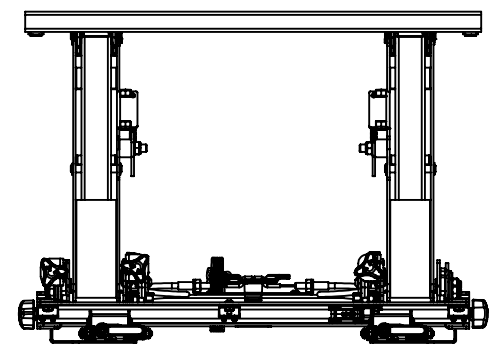
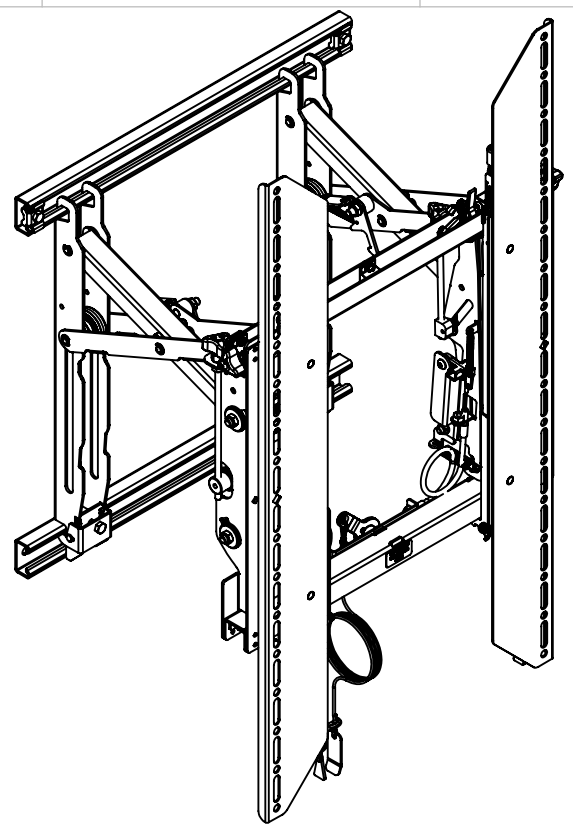
THE INFORMATION AND DESIGNS CONTAINED IN THIS DRAWING ARE CONFIDENTIAL AND THE PROPRIETARY PROPERTY OF MILESTONE AV TECHNOLOGIES NEITHER THIS DESIGN NOR ANY INFORMATION CONTAINED IN THIS DRAWING MAY BE REPRODUCED OR DISCLOSED TO OTHERS WITHOUT THE EXPRESS WRITTEN CONSENT OF MILESTONE AV TECHNOLOGIES.

CAD GENERATED DRAWING, DO NOT MANUALLY UPDATE.			6436 CITY WEST PKWY EDEN PRAIRIE MN, 55344 PHONE: 866-977-3901 FAX: 877-894-6918	
DRAWN BY	MJS	12/3/2013		
ENG APPROVAL	MJS	12/3/2013	DESCRIPTION LVS1UP, PORTRAIT VIDEO WALL MOUNT	
MFG APPROVAL				
QA APPROVAL			MODEL NO. LVS1UP	
SHEET 1 OF 3		SCALE 1:8		
				REV. 01




THE INFORMATION AND DESIGNS CONTAINED IN THIS DRAWING ARE CONFIDENTIAL AND THE PROPRIETARY PROPERTY OF MILESTONE AV TECHNOLOGIES NEITHER THIS DESIGN NOR ANY INFORMATION CONTAINED IN THIS DRAWING MAY BE REPRODUCED OR DISCLOSED TO OTHERS WITHOUT THE EXPRESS WRITTEN CONSENT OF MILESTONE AV TECHNOLOGIES.

CAD GENERATED DRAWING, DO NOT MANUALLY UPDATE.			 6436 CITY WEST PKWY EDEN PRAIRIE MN, 55344 PHONE: 866-977-3901 FAX: 877-894-6918		
DRAWN BY	MJS	12/3/2013	DESCRIPTION LVS1UP, PORTRAIT VIDEO WALL MOUNT		
ENG APPROVAL	MJS	12/3/2013			
MFG APPROVAL					
QA APPROVAL			MODEL NO. LVS1UP		
SHEET 2 OF 3		SCALE 1:8	SIZE B	DWG. NO. TECH-000511	REV. 01



THE INFORMATION AND DESIGNS CONTAINED IN THIS DRAWING ARE CONFIDENTIAL AND THE PROPRIETARY PROPERTY OF MILESTONE AV TECHNOLOGIES NEITHER THIS DESIGN NOR ANY INFORMATION CONTAINED IN THIS DRAWING MAY BE REPRODUCED OR DISCLOSED TO OTHERS WITHOUT THE EXPRESS WRITTEN CONSENT OF MILESTONE AV TECHNOLOGIES.

CAD GENERATED DRAWING, DO NOT MANUALLY UPDATE.				 6436 CITY WEST PKWY EDEN PRAIRIE MN, 55344 PHONE: 866-977-3901 FAX: 877-894-6918	
DRAWN BY	MJS	12/3/2013	DESCRIPTION LVS1UP, PORTRAIT VIDEO WALL MOUNT		
ENG APPROVAL	MJS	12/3/2013			
MFG APPROVAL					
QA APPROVAL			MODEL NO. LVS1UP		
SHEET 3 OF 3		SCALE 1:8	SIZE B	DWG. NO. TECH-000511	REV. 01