



**SINGLE
 ARM FOR
 EXTENDED
 REACH**

BTV503

FLAT SCREEN WALL MOUNT WITH SINGLE ARM



Designed to wall mount small to medium sized screens, this single arm wall mount features a rotating interface with tilt and swivel, allowing quick and easy repositioning of screens as required - the mount can display the screen folded at against the wall or up to its maximum extension of 240mm. Cable management is included to help make a neat and tidy mounting solution which is ideal for home installations as well as commercial applications.

SPECIFICATION

Recommended screen size	up to 47"
Max load	25kg
VESA® compatibility	up to 200 x 200
Screen rotation	360°
Tilt	+/-15°
Swivel	180°
Extension	79 - 240mm
Colour	Black

FEATURES

- Single arm for extended reach
- Folds at to the wall
- Interface features tilt, swivel and screen rotation
- Integrated cable management
- Integrated spirit level for easy wall plate levelling during installation
- Simple 'hook-on' installation
- All mounting hardware included



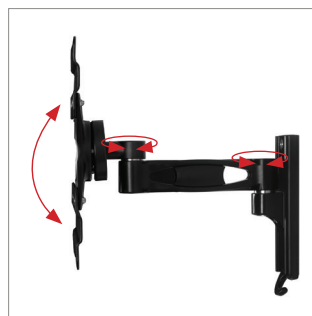
VESA 200 | 47" 120cm | 25KG | 15° 15° | 180° | 360°



Folds at to the wall with a distance of only 79mm



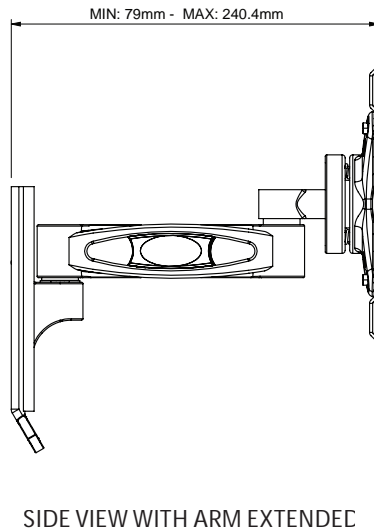
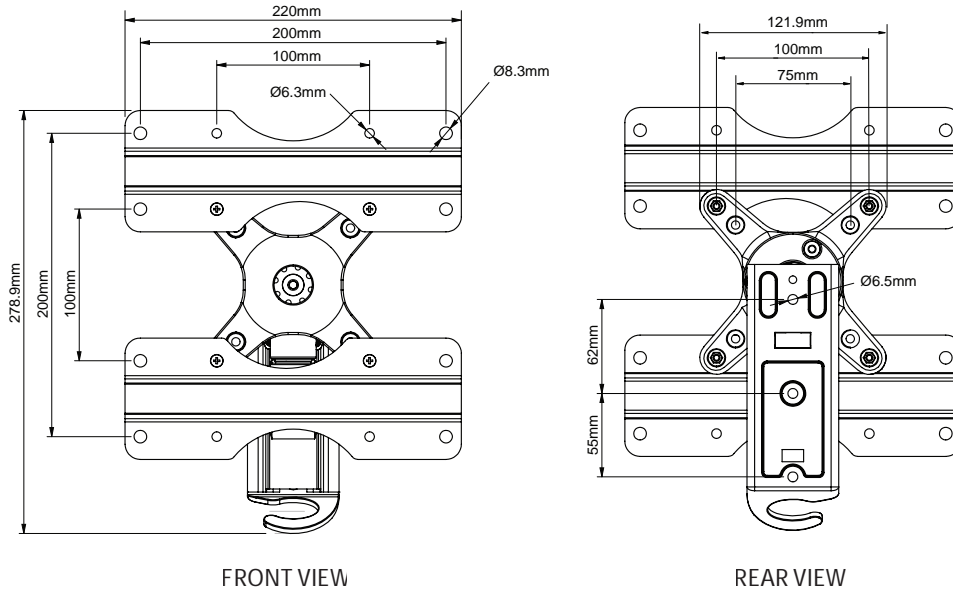
Integrated cable management and spirit level included



Features up/down tilt plus 2 pivot points



Interface allows screen rotation of 360°



PACKING INFORMATION

COLOUR:	ORDER REF:	EAN CODE:	MASTER CARTON QTY:	INNER CARTON QTY:	MASTER CARTON WEIGHT:	MASTER CARTON CUBE:
Black	BTV503/B	5019318440618	6	0	12.06kg	0.036cbm

ACCESSORIES AND SIMILAR PRODUCTS



BTV502
Flat Screen Wall Mount with Tilt & Swivel designed for screens up to 47"

BTV504
Double Arm Wall Mount with Tilt & Swivel designed for screens up to 47"

BTV920
AV Component Shelf designed for holding all common AV equipment

BTV914
Universal Soundbar Mount fits directly to BTV503 to mount a Soundbar under your screen

© 2015 B-Tech Professional Limited. All rights reserved.
 The information in this specification is subject to change without notice. This is not intended to be a contract. B-Tech Professional Limited is not responsible for any damage caused by improper or unauthorized use of this product. Any reproduction or misrepresentation of any part of this specification without the written permission of B-Tech Professional Limited is strictly prohibited.

SS-BTV503-V1.2-241018