

FPMA-D700D3

SPECIFICATIONS

GENERAL

Min. screen size*	10 inch
Max. screen size*	27 inch
Max. weight	8 kg (per screen)
Screens	3
VESA minimum	75x75 mm
VESA maximum	100x100 mm
Desk mount	Clamp

FUNCTIONALITY

Type	Rotate Swivel
Height adjustment	32-42 cm
Width adjustment	122,5 cm
Depth adjustment	7 cm
Tilt (degrees)	+90°, -90°
Swivel (degrees)	103°
Rotate (degrees)	360°
Adjustment type	Manual

INFORMATION

Color	Black
Main material	Steel
Warranty	5 year
EAN code	8717371443641

*Please note: The inch sizes stated are just an indication, combined with the weight and VESA sizes. The maximum weight and VESA size are absolute restrictions for the products and should not be exceeded.

NEOMOUNTS DESK MONITOR ARM



Neomounts



Neomounts

Neomounts Tilt/Turn/Rotate Triple desk monitor arm (clamp) for three 10-27" Monitor Screens, Height Adjustable - Black

The Neomounts desk mount, model FPMA-D700D3 is a tilt- and rotatable desk mount for 3 flat screens up to 27". This mount is a great choice for space saving placement on desks using a desk clamp.

Neomounts versatile tilt (90°), rotate (360°) and swivel (103°) technology allows the mount to change to any viewing angle to fully benefit from the capabilities of the flat screen. The mount is manually height adjustable from 32 to 42 centimetres. Depth 7 centimetres. An innovative cable management conceals and routes cables from mount to flat screen. Hide your cables to keep the workplace nice and tidy.

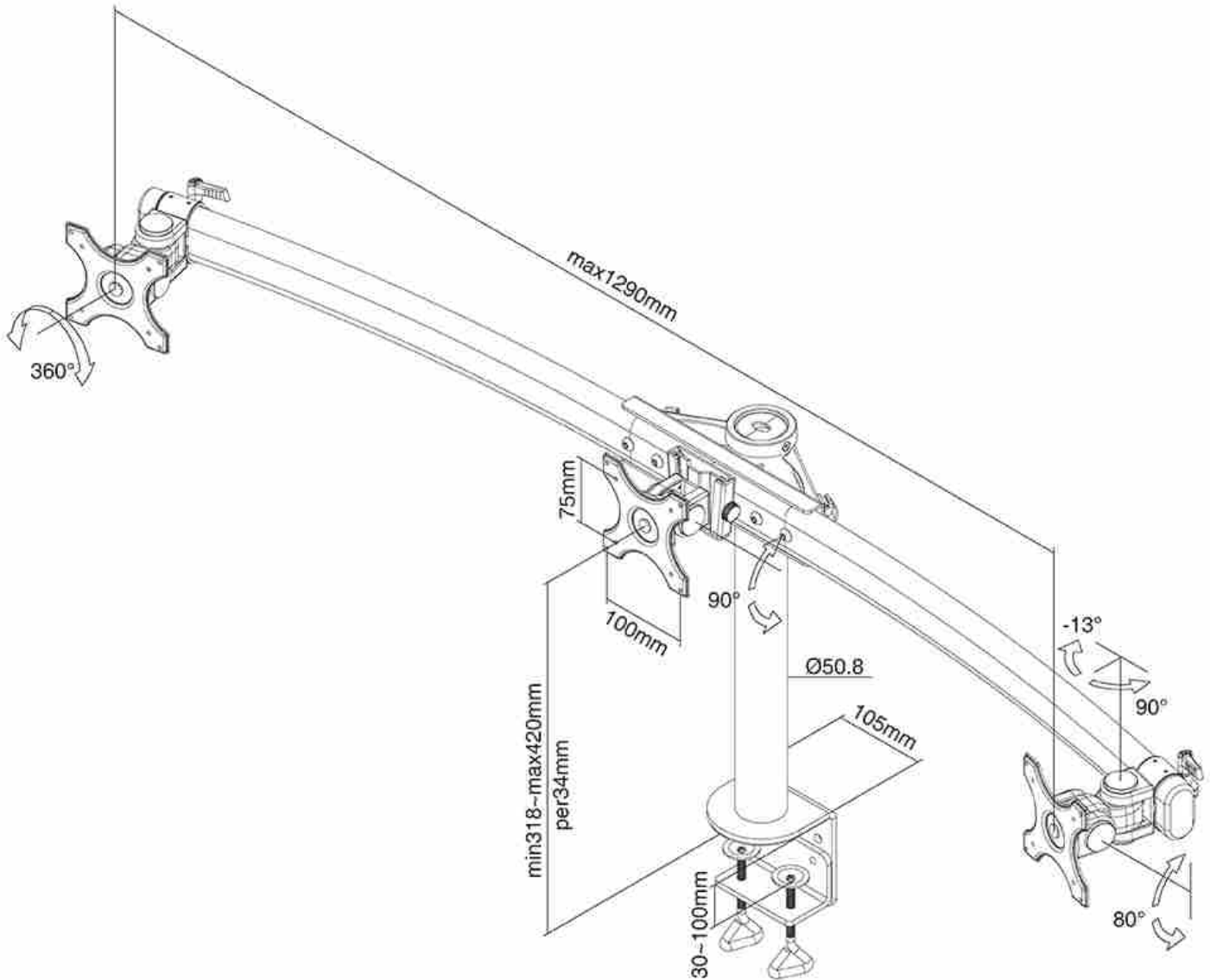
Neomounts FPMA-D700D3 has one pivot point and is suitable for screens up to 27" (69 cm). The weight capacity of this product is 8 kg each screen. The desk mount is suitable for screens that meet VESA hole pattern 75x75 or 100x100mm. Different hole patterns can be covered using Neomounts VESA adapter plates.

By using an ergonomic mount neck- and back complaints can be avoided. Ideal for use in offices and on counters or in a reception area.

All installation material is included with the product.

FPMA-D700D3

NEOMOUNTS DESK MONITOR ARM



Neomounts