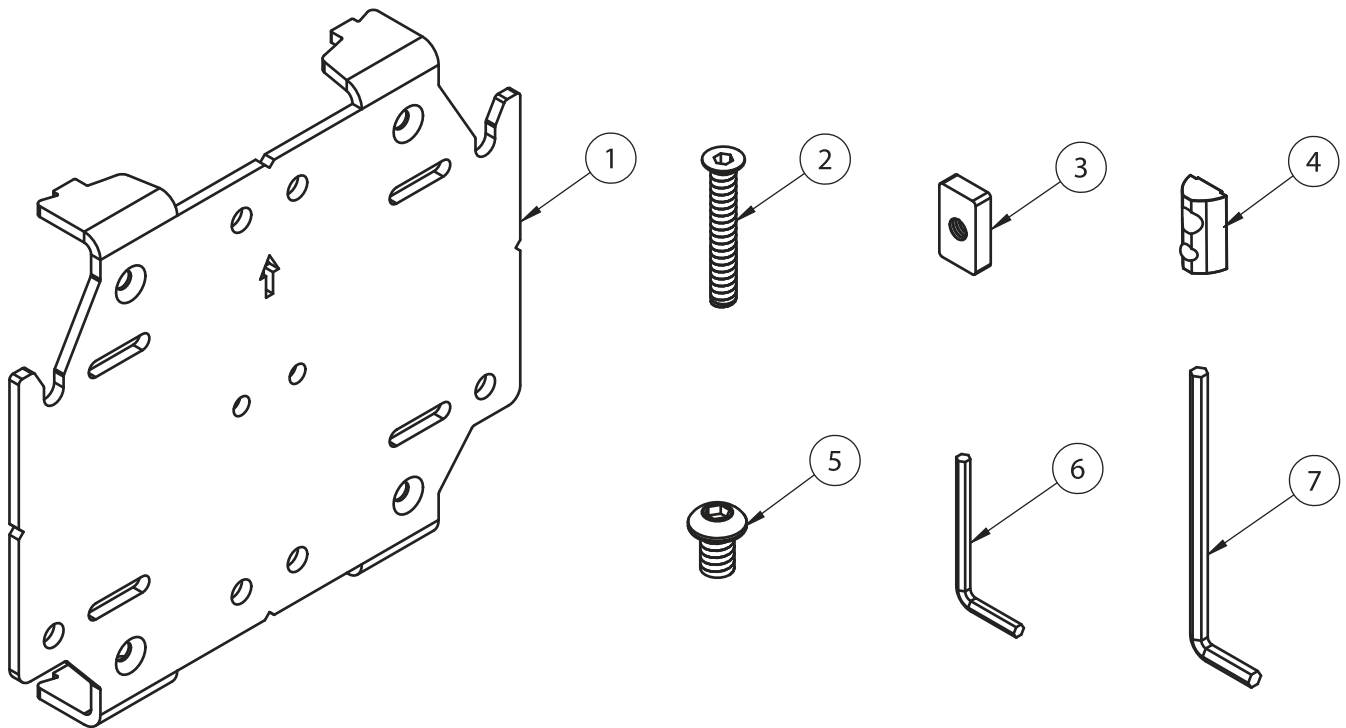


BT8385-RTC

RAIL-TO-COLUMN MOUNTING BRACKET

USE WITH A BT8385 COLUMN

PARTS LIST



ITEM	DESCRIPTION	QTY
1	RAIL-TO-COLUMN MOUNTING BRACKET	1
2	M6 x 40mm CSK HEX SCREW	4
3	RECTANGLE NUT	4
4	M8 SLIDING INSERT	4
5	M8 x 12mm SCREW	4
6	4AF x L55mm HEX KEY	1
7	5AF x L120mm HEX KEY	1

INSTALLATION SAFETY INSTRUCTIONS



CAUTION: This product is intended for use only with the maximum weights indicated. Use with equipment heavier than the maximum indicated may result in instability causing possible injury.

B-Tech AV Mounts, its distributors and dealers are not responsible for damage or injury caused by improper installation, improper use, modifications, installations over the specified weight capacity and/or failure to observe these safety instructions. In such cases, any warranty will expire.

It is recommended that this product should only be installed by a qualified professional / installer.

B-Tech AV Mounts does not claim any liability for any difficulties that may arise from the interpretation contained in these instructions. Failure to mount this product correctly may lead to serious injury and/or death.

Please check carefully to make sure there are no missing or defective parts - defective parts must never be used.

In the event of missing and/or defective parts, or technical questions, please contact an authorised dealer.

Pay careful attention to where this product is located, some locations are not suitable for installation. For indoor use only.

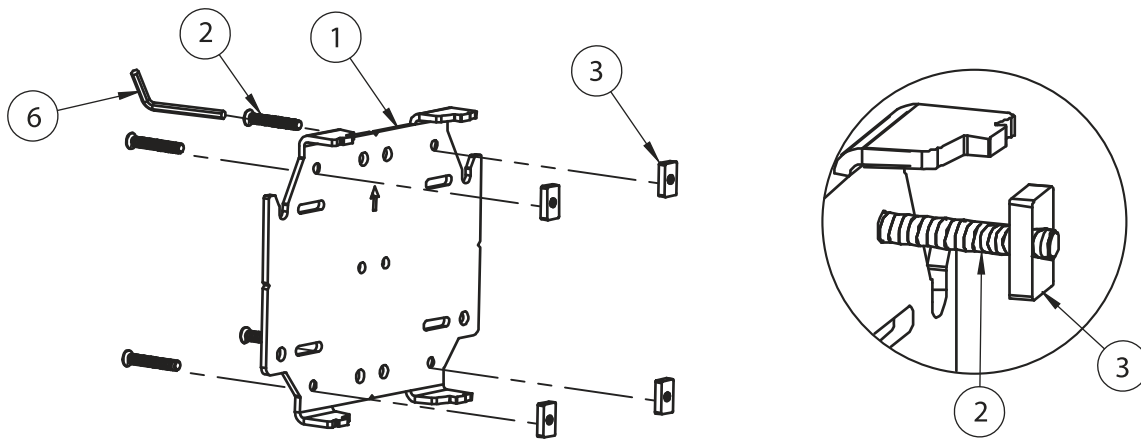
It is recommended that periodic inspections of the product are made as frequently as possible to ensure that safety is maintained.

Please keep these instructions for future reference.

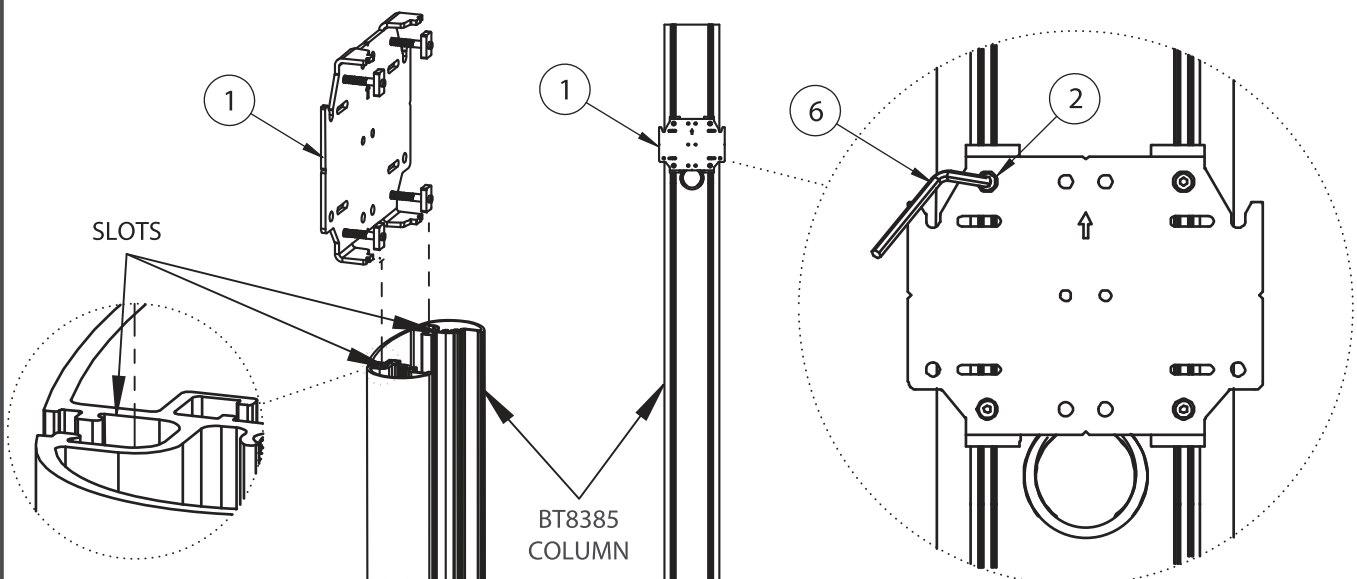
INSTALLATION INSTRUCTIONS

1. ATTACH MOUNTING BRACKET TO COLUMN

- i. Insert 4 x item 2 into item 1 and attach item 3. Screw two full turns to leave item 3 at the end of item 2.

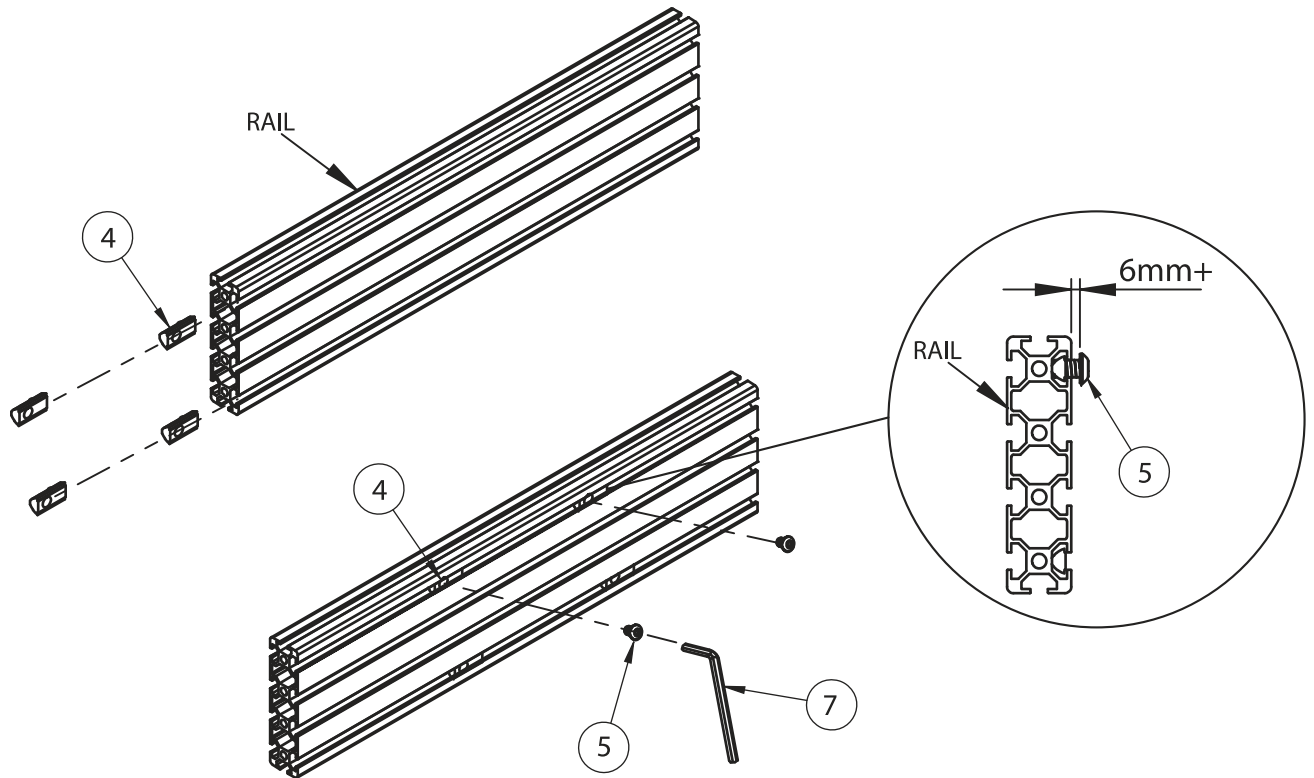


- ii. Slide item 1 down the front slots of the column to the correct height and tighten items 2.

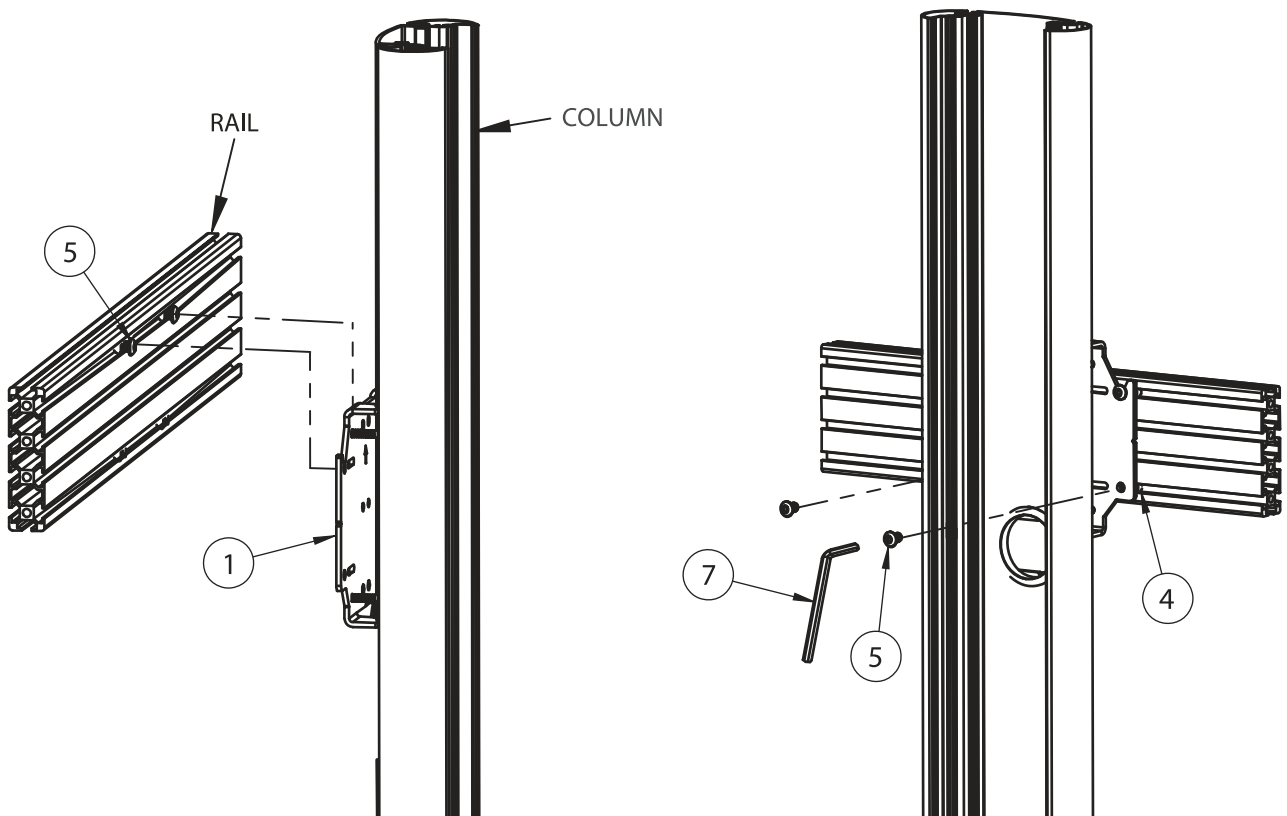


2. HOOK RAIL ONTO MOUNTING BRACKET

- i. Insert 4 x *item 4* into the rail (2 in the top channel, 2 in the bottom channel).
- ii. Screw 2 x *item 5* into *item 4* in the top channel - allow at least a 6mm gap so the rail can be hooked on to *item 1*.



- iii. Hook rail onto *item 1* and fix with in place with *item 5*.

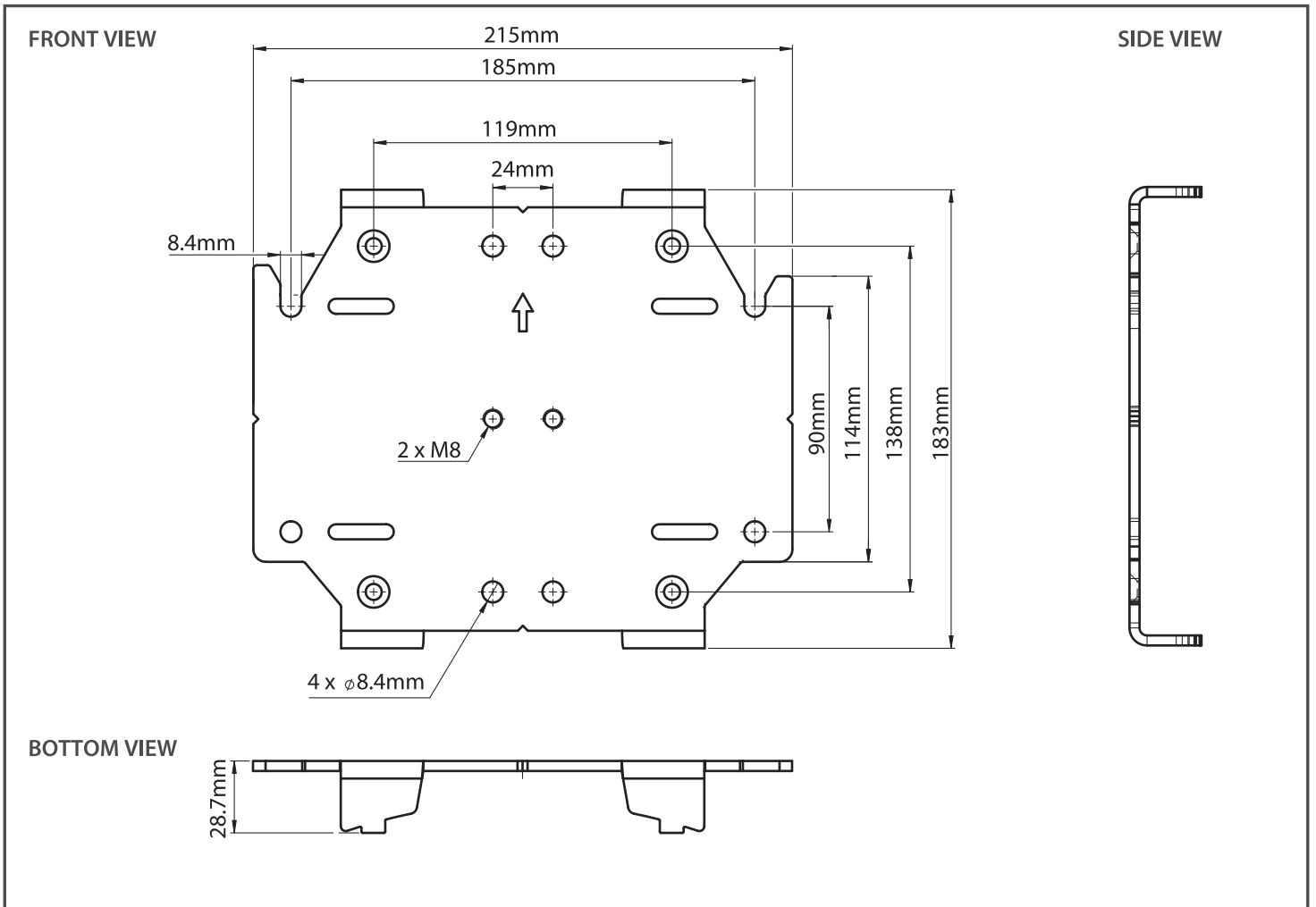


BT8385-RTC

RAIL-TO-COLUMN MOUNTING BRACKET



PRODUCT DIMENSIONS



CONTACT:
info@btechavmounts.com

©2019 B-Tech International Design & Manufacturing Ltd. All rights reserved.
 B-Tech AV Mounts is a division of B-Tech International Design & Manufacturing Ltd.
 B-Tech AV Mounts, the B-Tech logo and Mode-AL are registered trade marks.
 All other brands and product names are trademarks of their respective owners.
 Photographs are for illustrative purposes only. E&OE.

AMA-BT8385-RTC-V1-1119-110 MADE IN VIETNAM

