

BT8385-RTC

RAIL-TO-COLUMN MOUNTING KIT

FOR USE WITH BT8385

Designed to fit BT8390 Mounting Rails to BT8385 Vertical Columns, the BT8385-RTC joining plate can be fitted easily to existing Mode-AL set-ups or used in conjunction with B-Tech's component ranges to create your own bespoke mounting solution. Use BT8381-JPS alongside a BT8390 Mounting Rail to fit a BT7884 Flip-Down Storage Tray to Mode-AL displays



SPECIFICATION

Brackets supplied per pack	1
Colour	Black

FEATURES

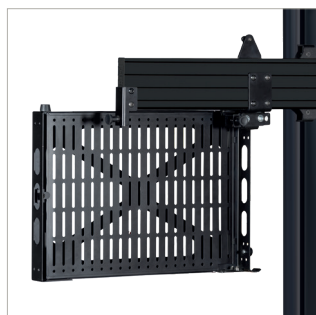
- Designed to connect BT8390 Mounting Rails to BT8385 Vertical Columns
- Add mounting rails to existing solutions or as part of a bespoke mounting solution when used in conjunction with B-Tech's range of Mode-AL components

SUPPLIED ITEMS

SUPPLIED ITEMS	QTY
Extension Bars	4
End Cap	1
Hex Key	1



Designed to connect a BT8390 mounting rail to Mode-AL Vertical Columns.



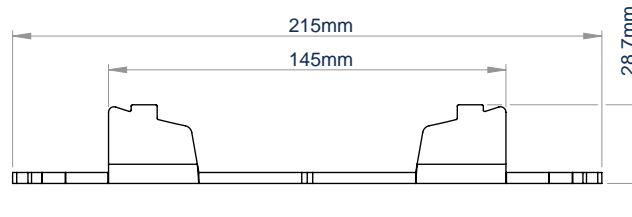
Use BT8385-RTC alongside BT8390 Mounting Rail to fit a BT7884 Flip Down Storage Tray to a Mode-AL Vertical Column.



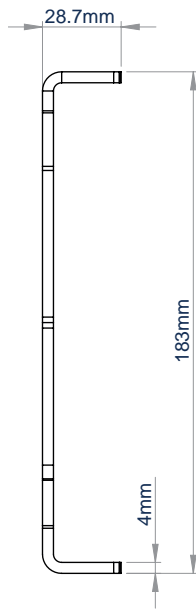
One BT8385-RTC is required to fit a mounting rail across a single column install.



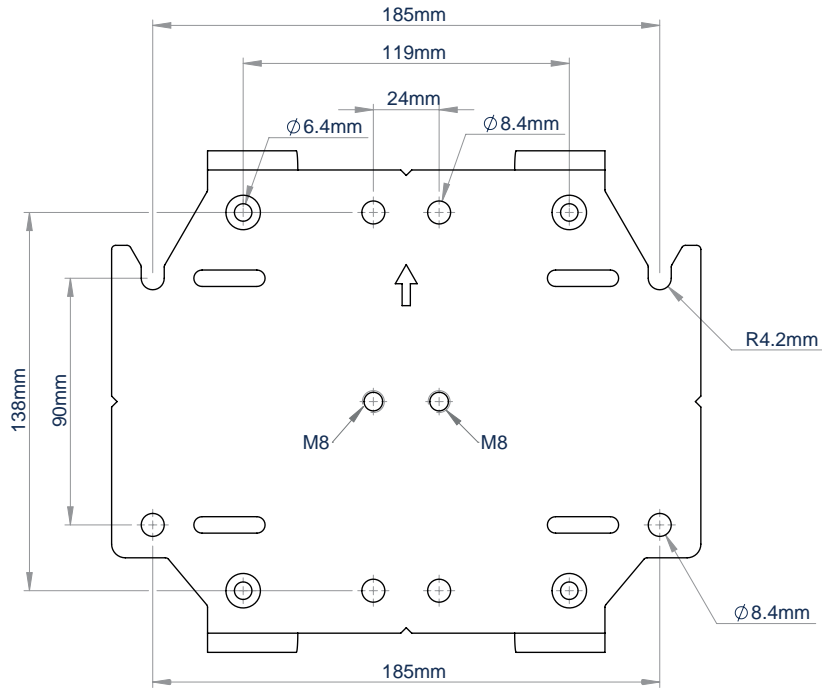
Two BT8385-RTC are required to fit a mounting rail across a twin column install.



TOP VIEW



SIDE VIEW



FRONT VIEW

PACKING INFORMATION

COLOUR:	ORDER REF:	EAN CODE:	MASTER CARTON QTY:	MASTER CARTON WEIGHT:	MASTER CARTON CUBE:
Black	BT8385-RTC	5019318302732	5	6.5kg	0.0132cbm

RELATED PRODUCTS

<p>BT8385</p>	<p>BT8385-TXB</p>	<p>BT8385-SXB</p>	<p>BT8390</p>
----------------------	--------------------------	--------------------------	----------------------

Vertical Columns
Available in Silver or Black

Twin Column Base
For use with two **BT8385** Vertical Columns

Single Column Base
For use with a single **BT8385** Vertical Column

System X™ Mounting Rails
Available in Silver or Black

© 2019 B-Tech Mounts Professional, a Division of B-Tech Manufacturing Ltd. All rights reserved.
 The information in this document is for general informational purposes only. B-Tech Manufacturing Ltd. does not warrant the accuracy of the information herein. B-Tech Manufacturing Ltd. does not assume any liability for loss or damage caused by the use of the information herein, or for any delay in its receipt. B-Tech Manufacturing Ltd. is not responsible for any loss or damage caused by the use of the information herein, or for any delay in its receipt. B-Tech Manufacturing Ltd. is not responsible for any loss or damage caused by the use of the information herein, or for any delay in its receipt.