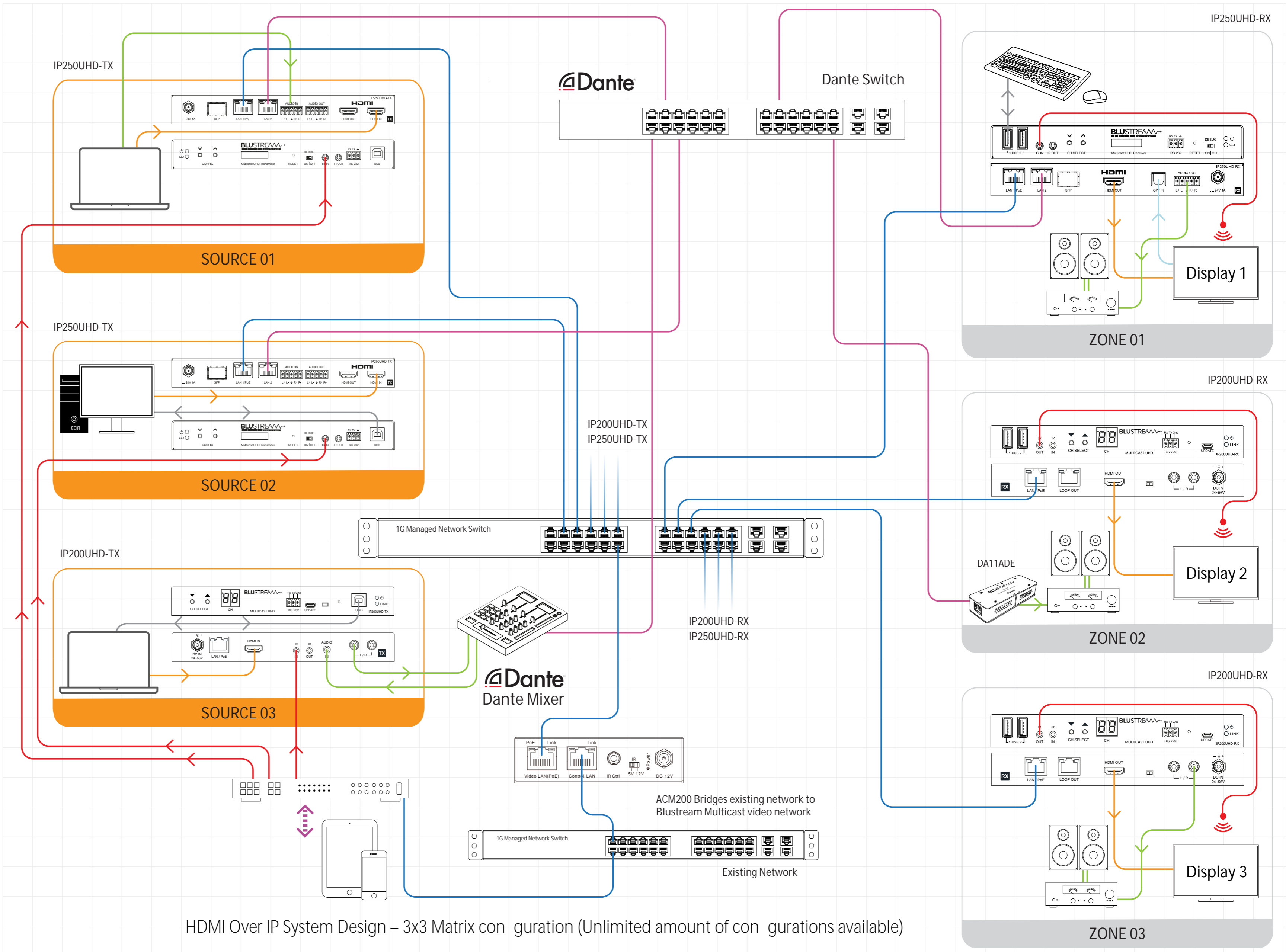
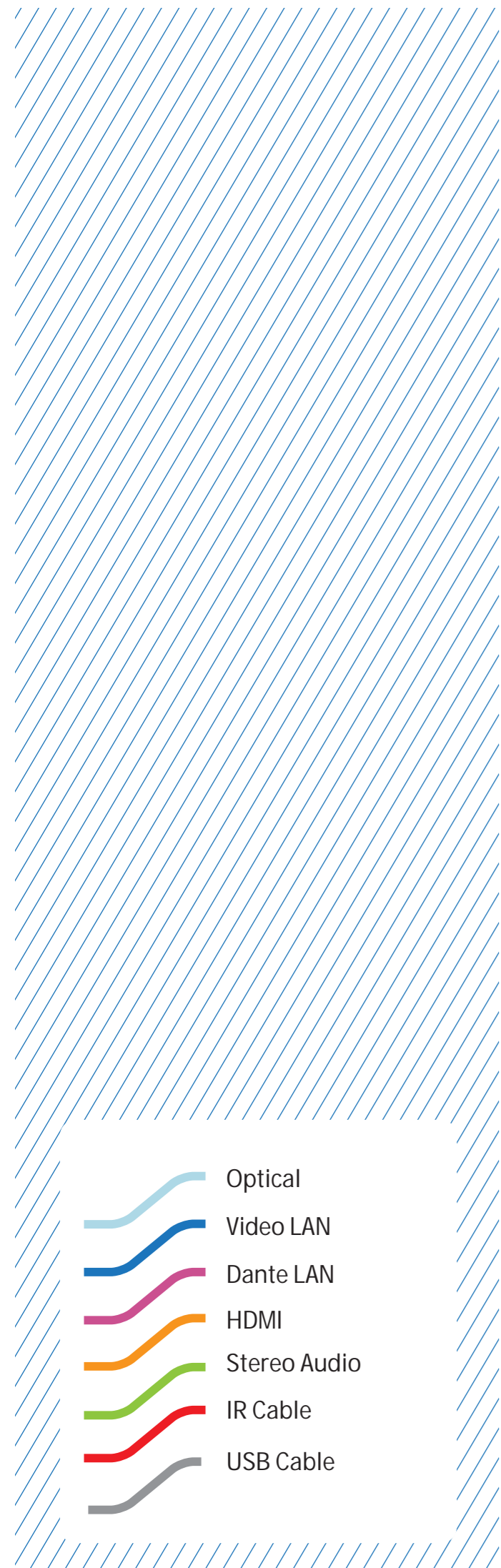


Example Schematic  
**IP250UHD TX/RX**  
3 x 3 Matrix Configuration



HDMI Over IP System Design – 3x3 Matrix configuration (Unlimited amount of configurations available)