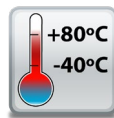


UK +44 (0)151 220 2500 // USA +1 855 958 2502 //  
www.brainboxes.com // sales@brainboxes.com

## US-759

### USB-C to 1 Port RS232 Industrial Isolated USB to Serial

- Our smallest form factor USB-C to serial adaptor
- Isolation: Avoid electrical damage to your expensive equipment
- High retention USB connector for an unshakeable connection
- Comes with 1m USB-B to USB-C cable
- Works where many other USB to Serial devices do not



IP-50 rated non-conducting case



Wall mounting option



High retention USB connection requires a minimum withdrawal requirement of 15N (thats a force of 1.5Kg or 3.4lbs)

UK +44 (0)151 220 2500 // USA +1 855 958 2502 //  
www.brainboxes.com // sales@brainboxes.com

## US-759 USB-C to 1 Port RS232 Industrial Isolated USB to Serial

IP-50 rated non-conducting case

High retention USB connector for an unshakeable connection

Plug and play with signed drivers

Orange color-coded insulator to differentiate from standard USB connectors

-40°C to +80°C/-40°F to +176°F temperature range

USB connection requires a minimum withdrawal requirement of 15N



Wall mounting option

Works across the full spectrum of baud rates up to 921,600 including standard and arbitrary values

---

### Housing & Connectors

IP-50 rated non-conducting polyamide case  
DB9 Connector - 9 Pin Male  
High Retention USB Connector  
Wall mounting screw recess

---

### Power Supply

Power Supply Input +5V through USB cable (supplied)  
Power Consumption 50mA @ 5V

---

### Environmental

Operating Temperature -40°C to +80°C/-40°F to +176°F  
Storage Temperature -40°C to +80°C/-40°F to +176°F

---

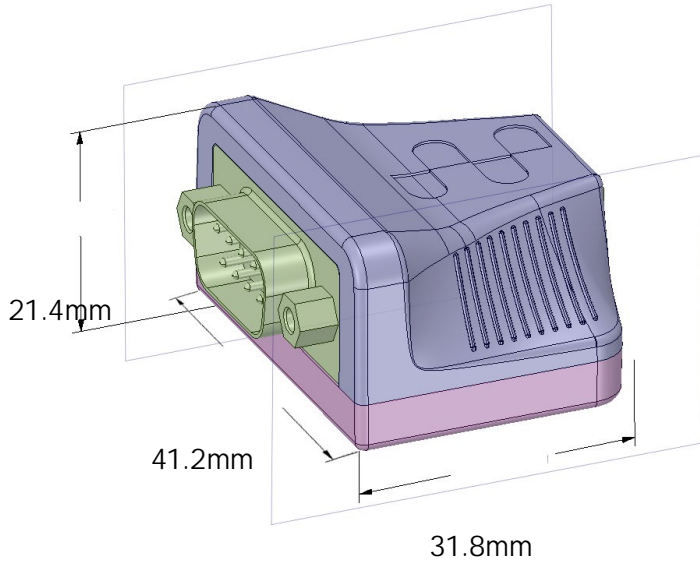
### Port Settings - RS232

Baud Rate From 110 - 1 MegaBaud - Any custom Baud rate accepted  
Data Bits 5,6,7 or 8  
Parity Odd, Even, None, Mark or Space  
Stop Bits 1 or 2  
Flow Control RTS/CTS, DSR/DTR, XON/XOFF  
Tx/Rx Modes Point to Point

---

UK +44 (0)151 220 2500 // USA +1 855 958 2502 // [www.brainboxes.com](http://www.brainboxes.com) // [sales@brainboxes.com](mailto:sales@brainboxes.com)

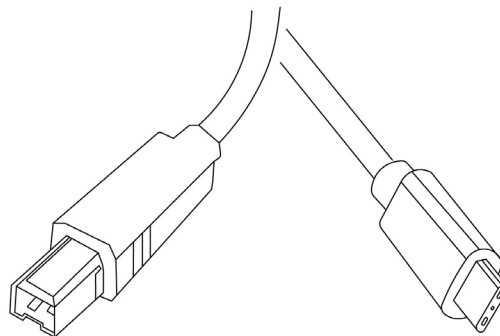
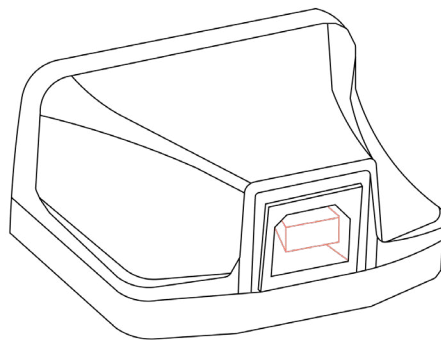
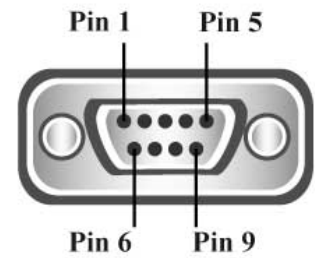
## US-759 USB-C to 1 Port RS232 Industrial Isolated USB to Serial



## RS232

|       |     |
|-------|-----|
| Pin 1 | DCD |
| Pin 2 | RXD |
| Pin 3 | TXD |
| Pin 4 | DTR |
| Pin 5 | GND |
| Pin 6 | DSR |
| Pin 7 | RTS |
| Pin 8 | CTS |
| Pin 9 | RI  |

RS232 Pinout (9 Pin Male)



**HIGH RETENTION SOCKET**  
(min withdrawal 15N)



USB-B plug



USB-C plug

connect to phones/tablets/PCs

## Software

### OS Compatibility

Brainboxes' software provides a TCP or Serial COM port interface. All software versions and updates available to download from our website.

Microsoft

Windows 8, Windows 8.1, Windows 10  
Windows Server 2016  
Windows Server 2019



### Lifetime Warranty and Support:

We can help with every aspect of your project, from getting you up and running to custom application.

UK +44 (0)151 220 2500 // USA +1 855 958 2502 //  
 www.brainboxes.com // sales@brainboxes.com

## US-759 USB-C to 1 Port RS232 Industrial Isolated USB to Serial

|                         |   |
|-------------------------|---|
| Packaging Information   | OSG, Device, USB-C Cable (signed drivers are automatically downloaded by Windows OS)  |
| Product Weight          | 0.024 kg, 0.85 ounces   |
| Product Dims            | 41x38x22 mm, 1.6x1.5x0.9 inches   |
| Packaged Weight         | 0.155 kg, 5.47 ounces   |
| Packaged Dims           | 160x135x45 mm, 6.3x5.3x1.8 inches   |
| GTIN Universal Code     | 837324004632  |
| Industry Approvals      | Microsoft Certified Gold Partner, WEEE, RoHS, AEO (C-TPAT), CE, UKCA  |
| HTS                     | 8471800000  |
| ECCN                    | 49449A  |
| CAGE                    | 8QCY6   |
| Warranty                | Lifetime - online registration required   |
| Support                 | Lifetime Web, Email & Phone Support from fully qualified, friendly staff who work in and alongside the Product Development Team |
| Standards               | ISO9001, ISO14001   |
| OEM option              | Available for bulk buy OEM  |
| COO (Country of Origin) | GB  |
| Made In                 | Manufactured in GB by Brainboxes  |
| Customisable            | Brainboxes operate a 'Perfect Fit Custom Design' policy for volume users<br>More info:sales@brainboxes.com                      |

### USB-C Range

USB-C adaptors available in a range of formats and specifications

[www.brainboxes.com](http://www.brainboxes.com)



**US-720**

USB-C to 1 Port  
 422/485 Industrial USB to  
 Serial Adaptor



**US-735**

USB-C to 1 Port  
 RS232 Industrial USB to  
 Serial Adaptor



**US-757**

USB-C to 2 Port  
 RS232 Serial Server Hub